



# Parts Manual

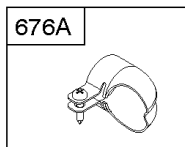
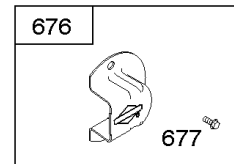
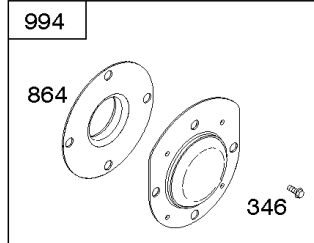
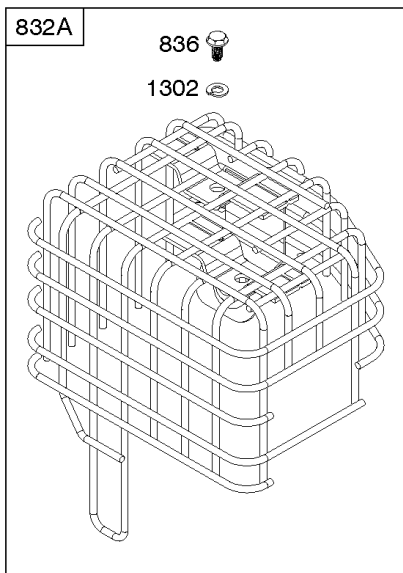
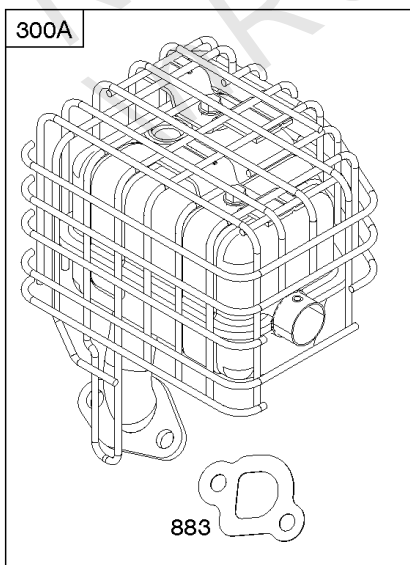
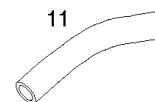
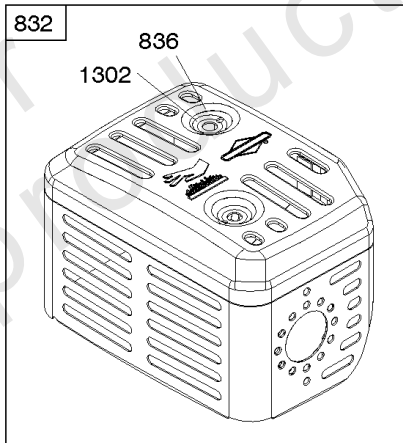
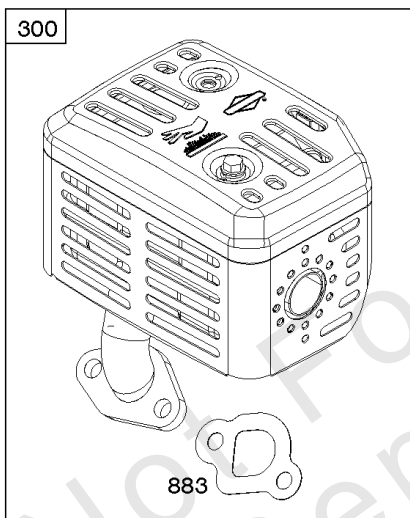
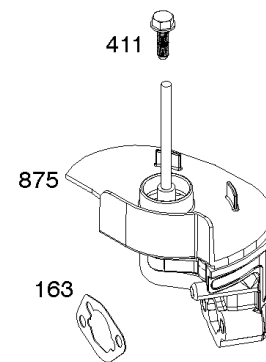
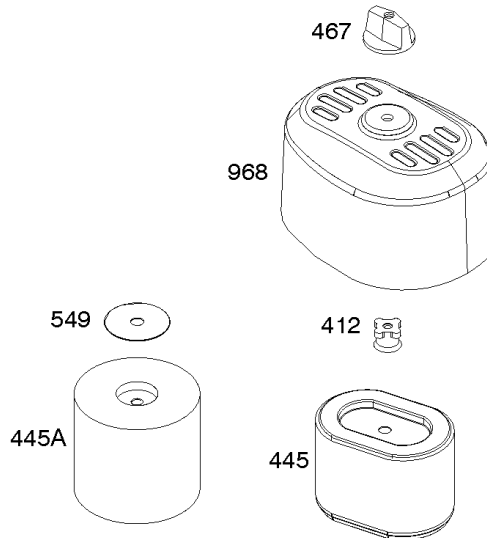
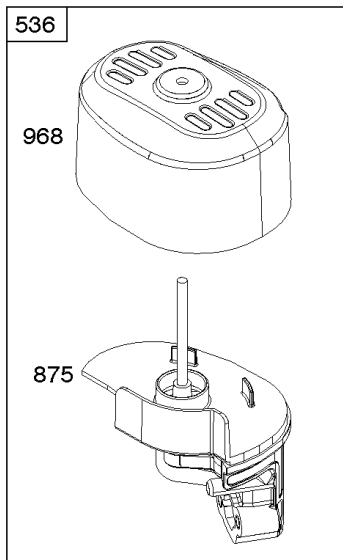
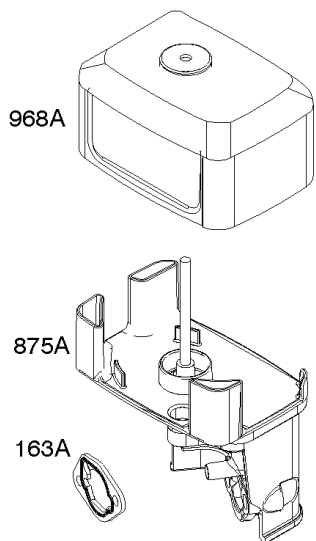
Mfg. No: 083132-0249-H1



---

<b>Model Components</b>	<b>Page</b>
Air Cleaner, Exhaust System.....	4
Armature, Controls, Electrical System, Governor Spring, Ignition, Spark Plug.....	6
Blower Housing, Flywheel, Rewind Starter.....	8
Camshaft, Crankcase Cover, Crankshaft, Cylinder, Piston/Rings/Connecting Rod, Warning Label.....	10
Carburetor.....	14
Cylinder Head, Gasket Sets.....	16
Fuel Supply.....	18
Gear Reduction.....	20
Replacement Engine - US & Canada.....	22

Not For  
In Reproduction

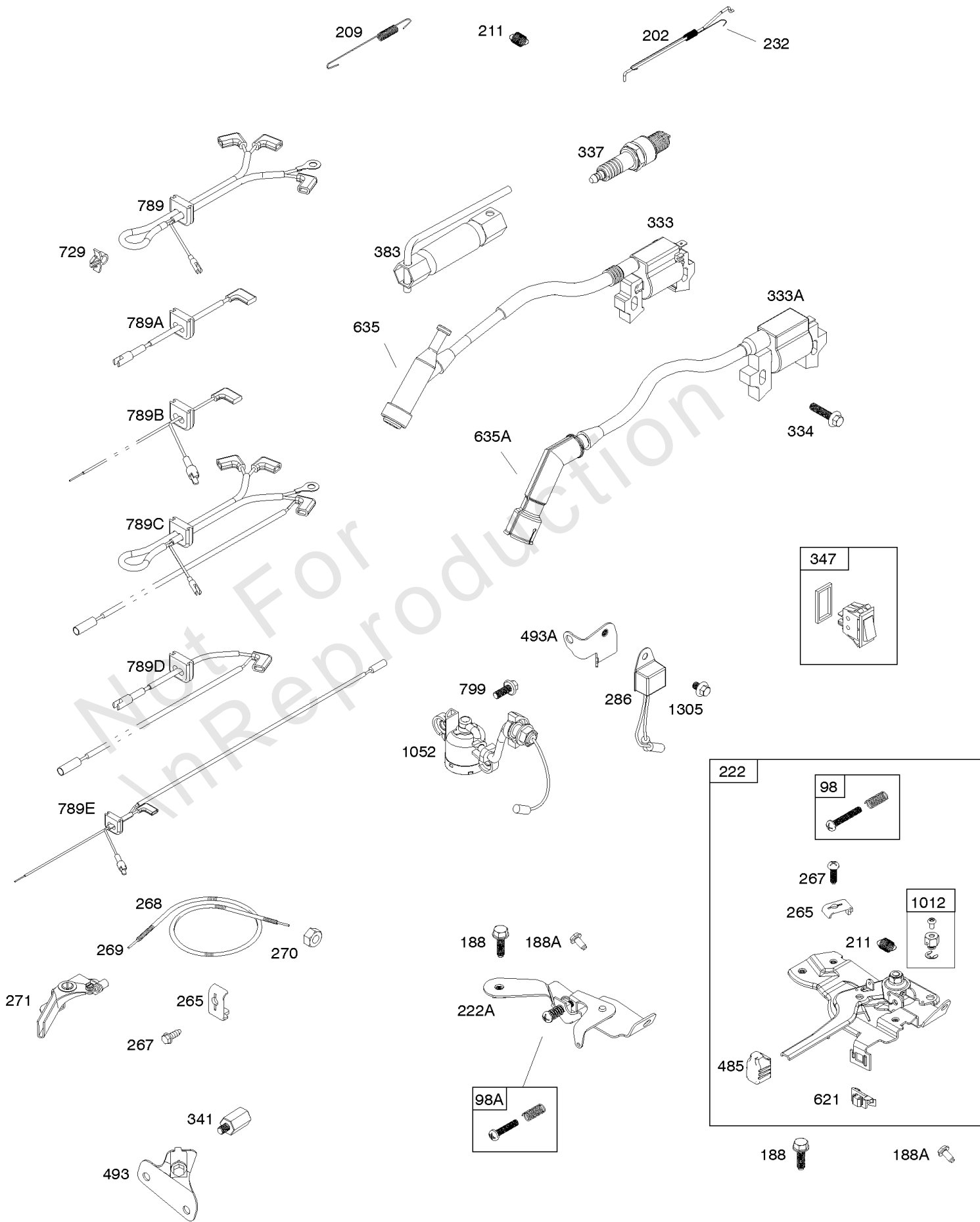


## Air Cleaner, Exhaust System

REF NO	PART NO	QTY	DESCRIPTION
11	797262		TUBE, Breather
163	591013		GASKET, Air Cleaner -(Air Cleaner)
300	591028		MUFFLER
300A	591618		MUFFLER
346	699203		SCREW -(Spark Arrestor)
411	797686		SCREW -(Air Cleaner Base to Air Cleaner Bracket)
412	797261		NUT -(Air Cleaner Cover)
445	796970		FILTER, A/C Cartridge
445A	797258		FILTER, A/C Cartridge
467	691985		KNOB, Air Cleaner Cover
536	591034		CLEANER, Air
549	797264		WASHER -(Air Cleaner)
676	797352		DEFLECTOR, Muffler
676A	591711		DEFLECTOR, Muffler
677	699203		SCREW -(Muffler Deflector)
832	591029		GUARD, Muffler
832A	797688		GUARD, Muffler
836	798976		SCREW -(Muffler Guard)
864	799555		ADAPTER, Muffler
875	591027		BASE, Air Cleaner
875A	797265		BASE, Air Cleaner - See Reference 536.
883	797267		GASKET, Exhaust
968	591026		COVER, Air Cleaner
968A	797263		COVER, Air Cleaner
994	799557		ARRESTOR, Spark
1177	590965		NUT -(Muffler)
1302	590457		WASHER -(Muffler Guard)

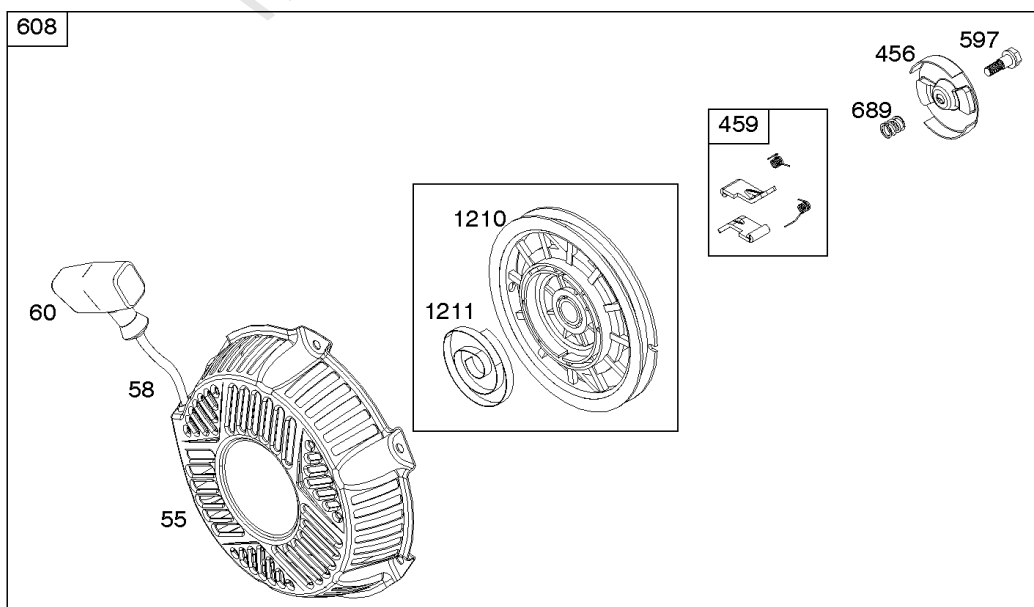
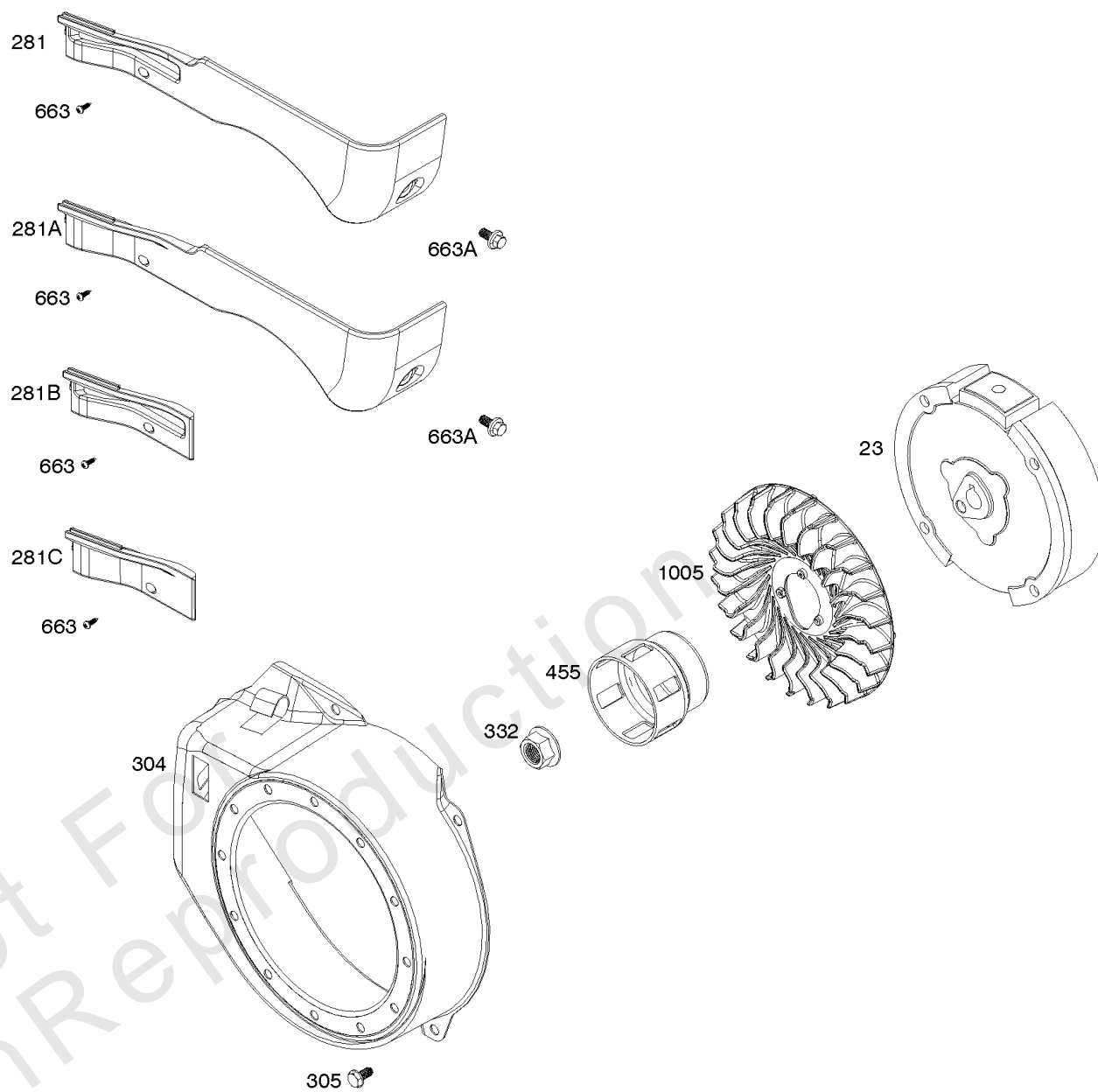
# Armature, Controls, Electrical System, Governor Spring, Ignition, Spark Plug

Mfg. No: 083132-0249-H1



## Armature, Controls, Electrical System, Governor Spring, Ignition, Spark Plug

REF NO	PART NO	QTY	DESCRIPTION
98	797333		KIT, Idle Speed -(High Speed Adjustment)
98A	797697		KIT, Idle Speed -(High Speed Adjustment)
188	797686		SCREW -(Control Bracket)
188A	798618		SCREW -(Control Bracket)
202	797233		LINK, Mechanical Governor
209	797236		SPRING, Governor
211	797337		SPRING, Governed Idle
222	591024		BRACKET, Control
232	797232		SPRING/LINK, Governor
265	691024		CLAMP, Casing
267	699492		SCREW -(Casing Clamp)
268	691025		CASING, Control Wire -(Cut To Required Length)
269	691026		WIRE, Control -(Cut To Required Length)
270	691027		NUT -(Control Wire Casing)
271	691028		LEVER, Control
286	797772		MODULE, Oil Sensor
333	797343		ARMATURE, Magneto
333A	593455		ARMATURE, Magneto
334	797655		SCREW -(Magneto Armature)
337	798615		PLUG, Spark
341	797699		STUD -(Mounting Bracket) (Remote Choke)
347	797340		SWITCH, Rocker
383	19576S		WRENCH, Spark Plug
485	797339		KNOB, Control
493	797700		BRACKET, Mounting -(Remote Choke)
493A	798632		BRACKET, Mounting -(Oil Sensor Module)
621	692310		SWITCH, Stop
635	797658		BOOT, Spark Plug
635A	797685		BOOT, Spark Plug
729	797341		CLIP, Wire
789	797344		HARNESS, Wiring
789A	797701		HARNESS, Wiring
789E	596586		HARNESS, Wiring
789B	797706		HARNESS, Wiring
789C	798633		HARNESS, Wiring
789D	799224		HARNESS, Wiring
799	797774		SCREW -(Oil Sensor)
1012	590378		RETAINER, Link
1052	798631		SENSOR, Oil
1305	798618		SCREW -(Oil Sensor Module)





## **Blower Housing, Flywheel, Rewind Starter**

REF NO	PART NO	QTY	DESCRIPTION
23	797287		FLYWHEEL
55	799667		HOUSING, Rewind Starter
58	693389		ROPE, Starter -(Cut To Required Length)
60	691915		GRIP, Starter Rope
65	797654		SCREW -(Rewind Starter)
281	591048		PANEL, Control
304	591030		HOUSING, Blower
305	798618		SCREW -(Blower Housing)
332	797285		NUT -(Flywheel)
455	797277		CUP, Flywheel
456	799666		PLATE, Pawl Friction
459	799668		PAWL, Ratchet
597	799665		SCREW -(Pawl Friction Plate)
608	797276		STARTER, Rewind
663	799846		SCREW -(Control Panel)
663A	591049		SCREW -(Control Panel)
689	799669		SPRING, Friction
1005	797321		FAN, Flywheel
1210	799678		PULLEY/SPRING ASSEMBLY -(Pulley)
1211	799678		PULLEY/SPRING ASSEMBLY -(Spring)

1319 WARNING LABEL

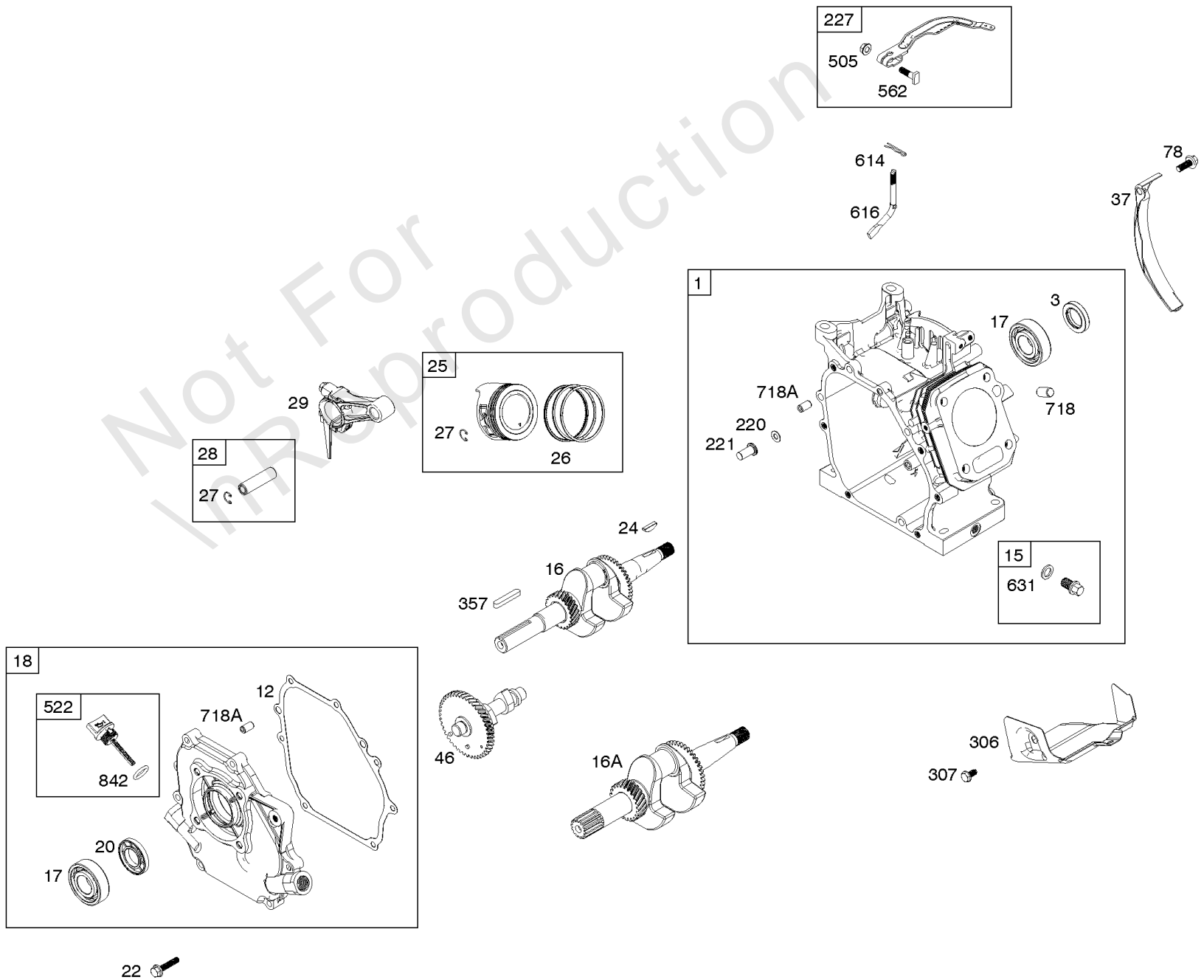
<b>WARNING</b>	
	Read and follow Operating Instructions before running engine.
	Gasoline is flammable. Allow engine to cool at least 2 minutes before refueling.
	Engines emit carbon monoxide, DO NOT run in enclosed area.
	Muffler area temperature may exceed 150°F. Do not touch hot parts.

**REQUIRED** when replacing parts with warning labels affixed.

1319A WARNING LABEL

**REQUIRED** when replacing parts with warning labels affixed.

1036 EMISSIONS LABEL



## Camshaft, Crankcase Cover, Crankshaft, Cylinder, Piston/Rings/Connecting Rod, Warning

REF NO	PART NO	QTY	DESCRIPTION
1	797217		CYLINDER ASSEMBLY
3	797329		SEAL, Oil -(Magneto Side)
12	797211		GASKET, Crankcase
15	797215		PLUG, Oil Drain
16	797529		CRANKSHAFT
17	797328		BEARING, Ball
18	797350		COVER, Crankcase
20	797330		SEAL, Oil -(PTO Side)
22	797656		SCREW -(Crankcase Cover/Sump)
24	797286		KEY, Flywheel
25	797218		PISTON ASSEMBLY -(Standard)
25	797270		PISTON ASSEMBLY -(.010 Oversize)
25	797271		PISTON ASSEMBLY -(.020 Oversize)
26	797272		SET, Ring -(.010 Oversize)
26	797273		SET, Ring -(.020 Oversize)
26	797220		SET, Ring -(Standard)
27	797234		LOCK, Piston Pin
28	797219		PIN, Piston
29	797221		ROD, Connecting
37	591023		GUARD, Flywheel
46	797197		CAMSHAFT
78	798975		SCREW -(Flywheel Guard)
220	797223		WASHER -(Governor Gear)
221	797224		CUP, Governor
227	797231		LEVER, Governor Control
306	797322		SHIELD, Cylinder
307	798618		SCREW -(Cylinder Shield)
357	798305		KEY, Drive Pulley
505	690939		NUT -(Governor Control Lever)
522	797325		PLUG, Dipstick/Fill
562	797230		BOLT -(Governor Control Lever)
614	797229		PIN, Cotter
616	797228		CRANK, Governor
631	797216		WASHER -(Oil Drain Plug)
718	797214		PIN, Locating -(Cylinder Head)
718A	797326		PIN, Locating -(Crankcase Cover)
842	797327		SEAL, O-Ring -(Dipstick Tube)
1036	-----		Label-Emissions -(Available From A Briggs & Stratton Authorized Dealer)

1319 WARNING LABEL

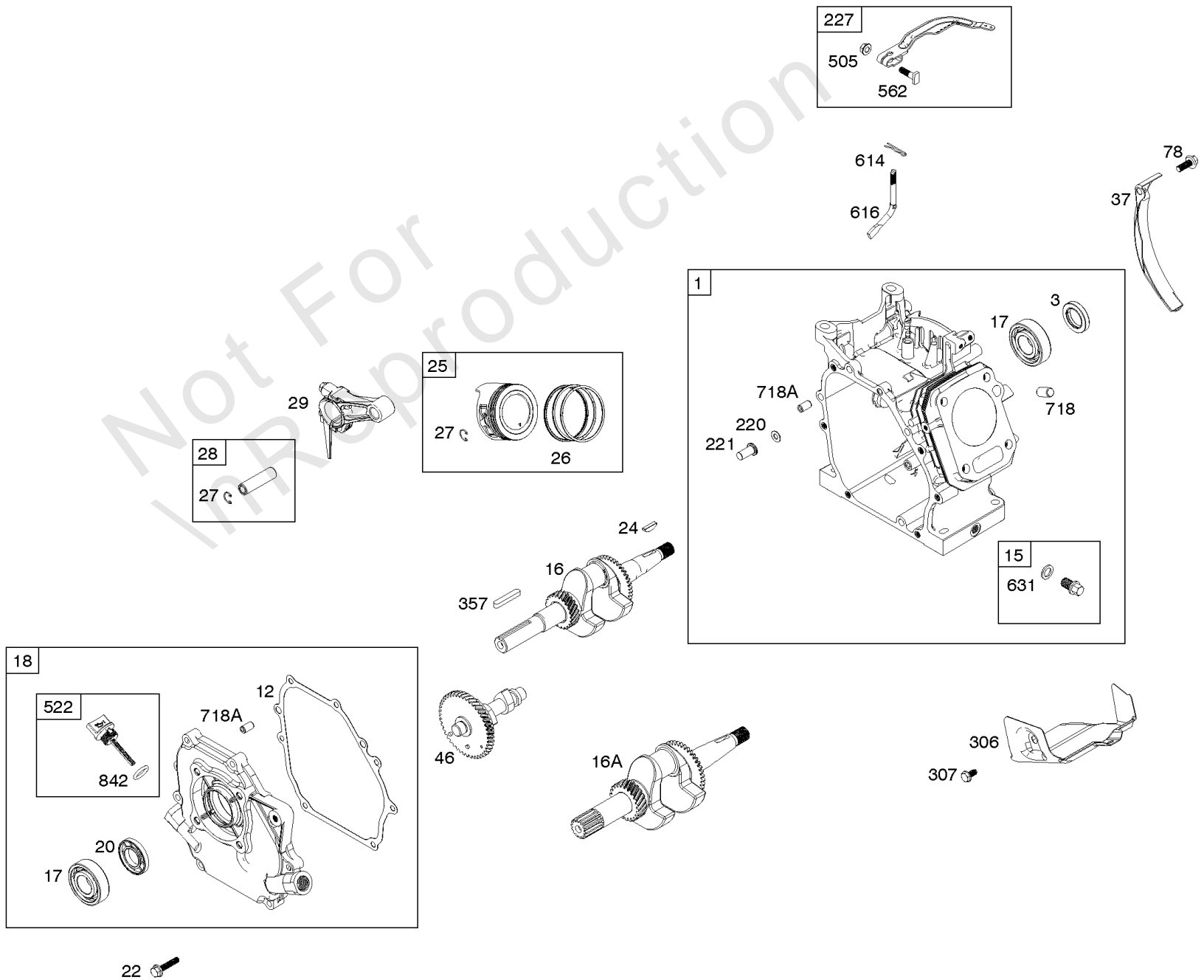
<b>WARNING</b>	
	Read and follow Operating Instructions before running engine.
	Gasoline is flammable. Allow engine to cool at least 2 minutes before refueling.
	Engines emit carbon monoxide, DO NOT run in enclosed area.
	Muffler area temperature may exceed 150°F. Do not touch hot parts.

**REQUIRED** when replacing parts with warning labels affixed.

1319A WARNING LABEL

**REQUIRED** when replacing parts with warning labels affixed.

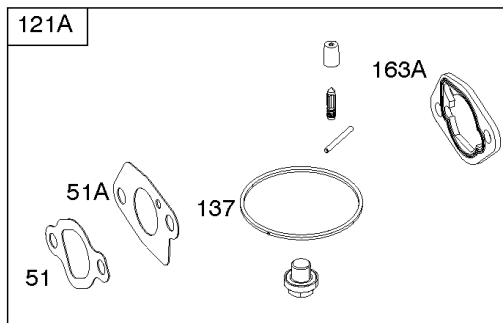
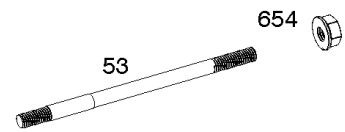
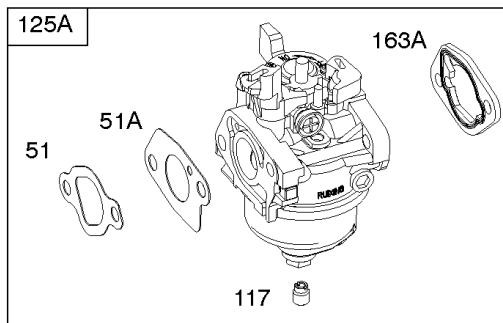
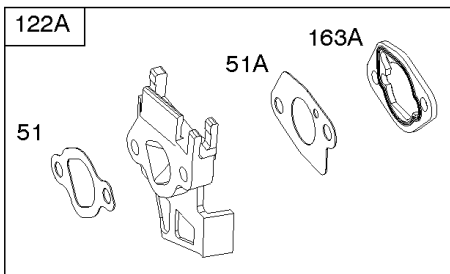
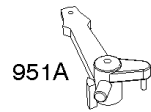
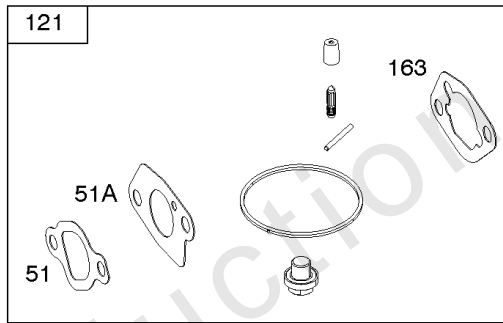
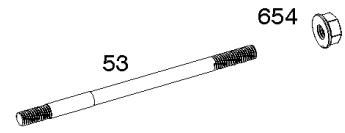
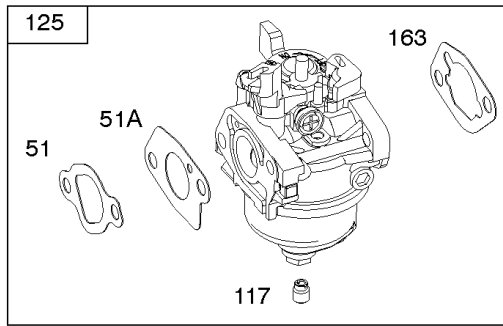
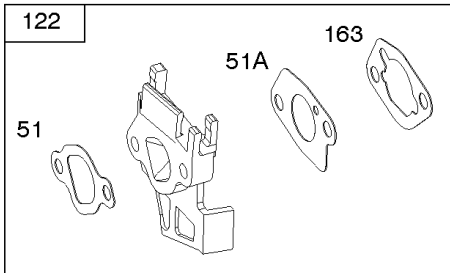
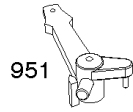
1036 EMISSIONS LABEL



***Camshaft, Crankcase Cover, Crankshaft, Cylinder, Piston/Rings/Connecting Rod, Warning***

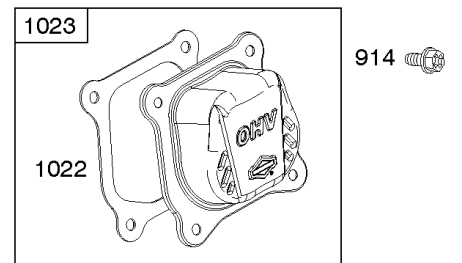
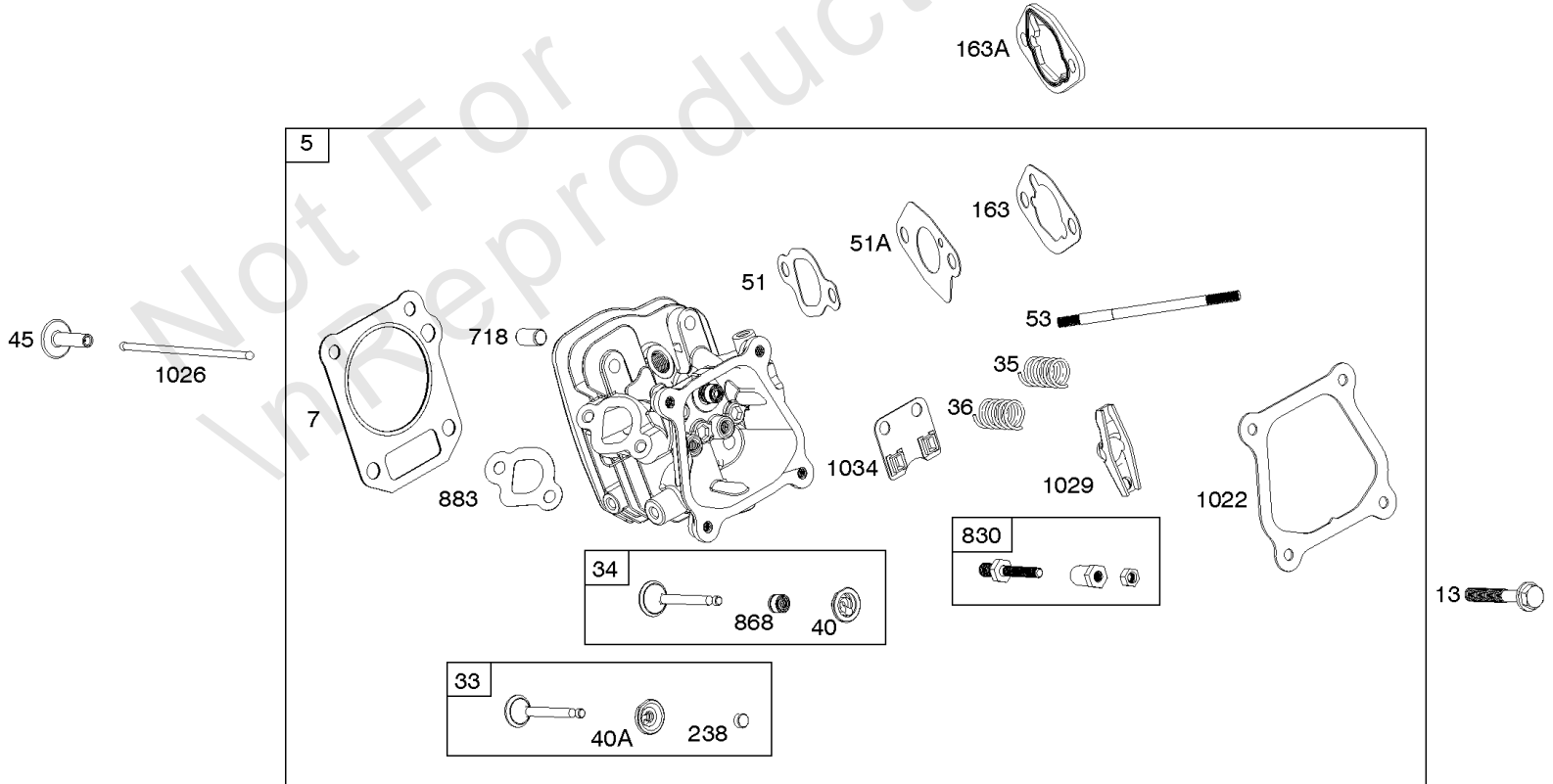
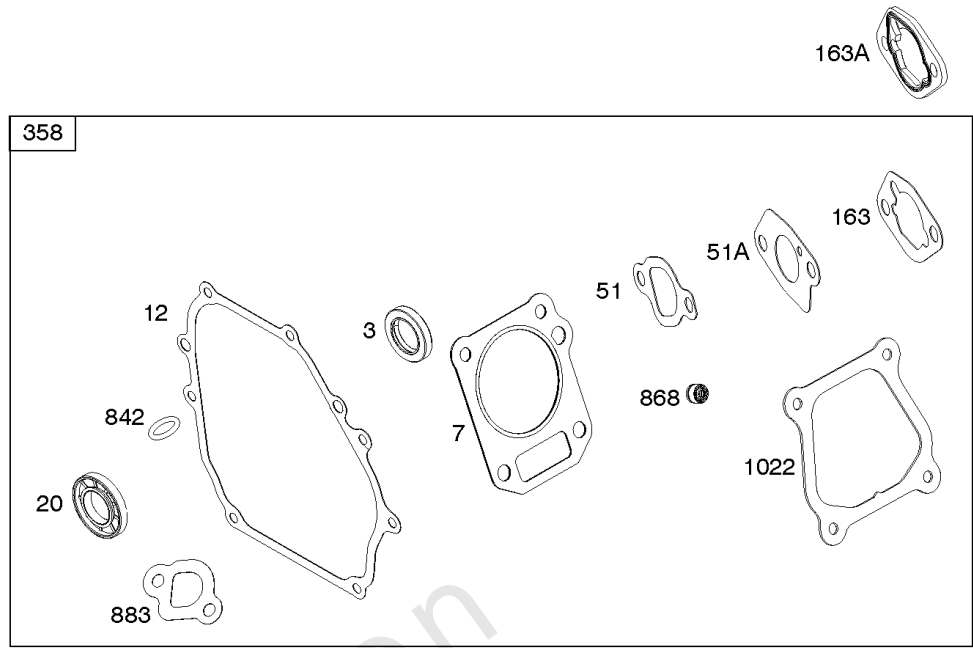
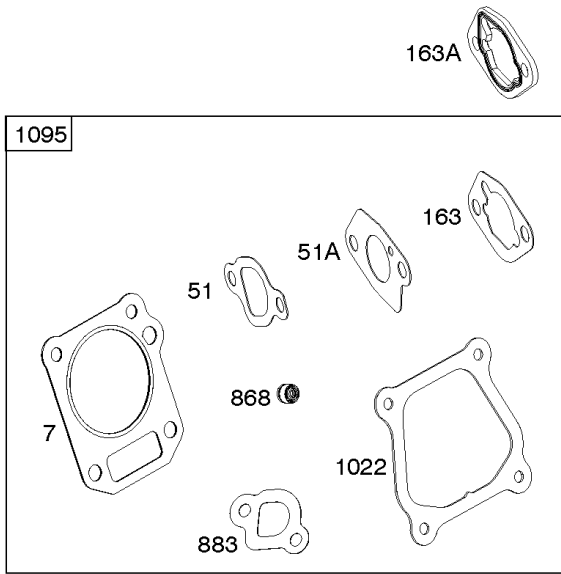
REF NO	PART NO	QTY	DESCRIPTION
1319	794467		LABEL, Warning
1319A	797669		LABEL, Warning

Not For In Reproduction



## Carburetor

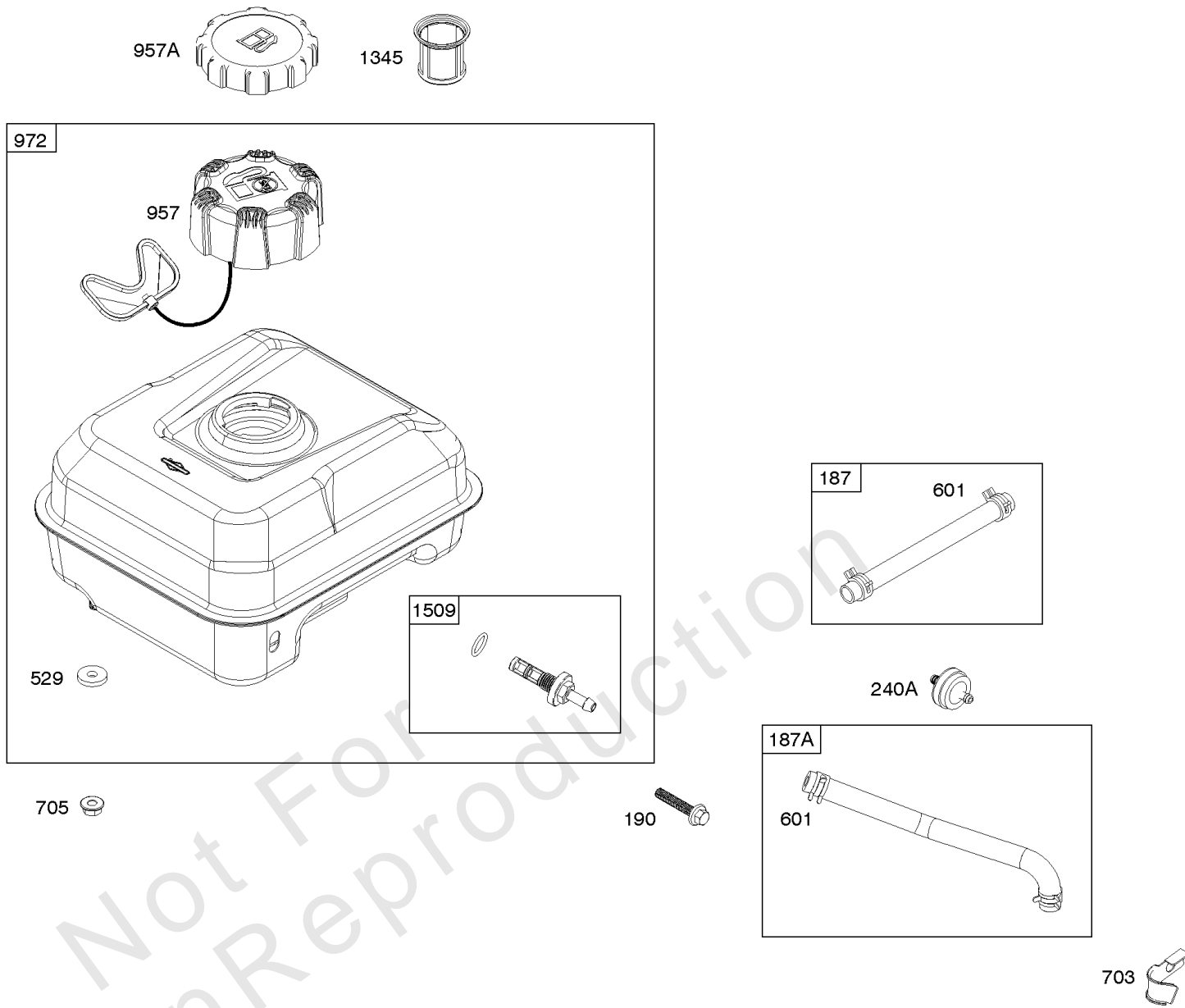
REF NO	PART NO	QTY	DESCRIPTION
51	797192		GASKET, Intake
51A	797280		GASKET, Intake
53	797278		STUD -(Carburetor)
117	590449		JET, Main -(Standard) -Used Before Code Date 12050700
117	592234		JET, Main -(Standard) -Used After Code Date 12050600
118	799173		JET, Main -(High Altitude) -Used Before Code Date 12050700
118	593451		JET, Main -(High Altitude) -Used After Code Date 12050600
121	592424		KIT, Carburetor Overhaul
122	591014		SPACER, Carburetor
125	592236		CARBURETOR
137	591467		GASKET, Float Bowl
163	591013		GASKET, Air Cleaner -(Air Cleaner)
654	690939		NUT -(Carburetor)
951	591016		LEVER, Choke





## Cylinder Head, Gasket Sets

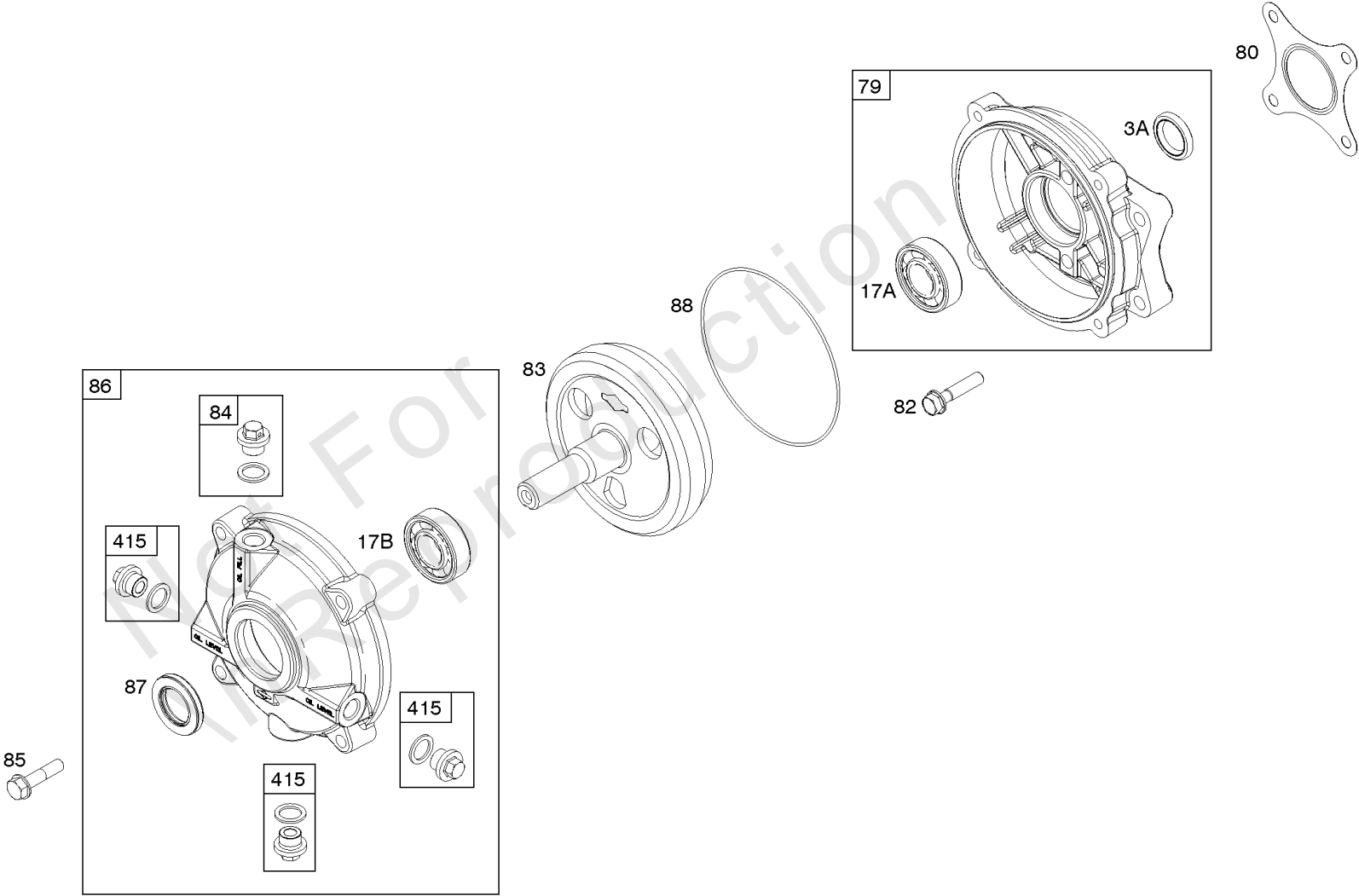
REF NO	PART NO	QTY	DESCRIPTION
3	797329		SEAL, Oil -(Magneto Side)
5	591478		HEAD, Cylinder
7	797212		GASKET, Cylinder Head
12	797211		GASKET, Crankcase
13	797213		SCREW -(Cylinder Head)
20	797330		SEAL, Oil -(PTO Side)
33	797199		VALVE, Exhaust
34	797198		VALVE, Intake
35	797203		SPRING, Valve -(Intake)
36	797203		SPRING, Valve -(Exhaust)
40	797204		RETAINER, Valve -(Intake)
40A	797205		RETAINER, Valve -(Exhaust)
45	797208		TAPPET, Valve
51	797192		GASKET, Intake
51A	797280		GASKET, Intake
53	797278		STUD -(Carburetor)
163	591013		GASKET, Air Cleaner -(Air Cleaner)
238	797206		CAP, Valve
358	591460		GASKET SET, Engine
718	797214		PIN, Locating -(Cylinder Head)
830	797200		STUD, Rocker Arm -(Rocker Arm)
842	797327		SEAL, O-Ring -(Dipstick Tube)
868	797572		SEAL, Valve -(Intake)
883	797267		GASKET, Exhaust
914	798618		SCREW -(Rocker Cover)
1022	797194		GASKET, Rocker Cover
1023	797196		COVER, Rocker
1026	797207		ROD, Push
1029	797202		ARM, Rocker
1034	797209		GUIDE, Push Rod
1095	591461		GASKET SET, Valve



## Fuel Supply

REF NO	PART NO	QTY	DESCRIPTION
187	791766		LINE, Fuel -(Cut To Required Length)
187A	797274		LINE, Fuel -(Formed Hose)
190	797657		SCREW -(Fuel Tank)
240A	394358S		FILTER, Fuel
529	797345		GROMMET -(Fuel Tank)
601	791850		CLAMP, Hose
703	798614		CLIP -(Fuel Hose)
705	690939		NUT -(Fuel Tank)
957	799324		CAP, Fuel Tank
957A	794641		CAP, Fuel Tank
972	591025		TANK, Fuel
1345	792917		FILTER, Filler Neck
1509	797346		OUTLET, Tank

Not For In-Production



## Gear Reduction

REF NO	PART NO	QTY	DESCRIPTION
3A	299819S		SEAL, Oil -(Magneto Side) (Gear Reduction Case)
17A	99158		BEARING, Ball -(Gear Reduction Case)
17B	792745		BEARING, Ball -(Gear Cover)
79	792746		CASE, Gear Reduction
80	792755		GASKET, Gear Case
82	792753		SCREW -(Gear Reduction Case)
83	792756		SHAFT, Auxiliary Drive
84	792759		PLUG, Breather
85	690711		SCREW -(Gear Cover)
86	792748		COVER, Gear
87	792752		SEAL, Gear Reduction
88	792760		GASKET, Gear Cover/Housing
415	792749		PLUG -(Gear Cover)

Not For In Reproduction

**Replacement Engine - US & Canada**

---

REF NO	PART NO	QTY	DESCRIPTION
--------	---------	-----	-------------

---

Not For In Reproduction

