

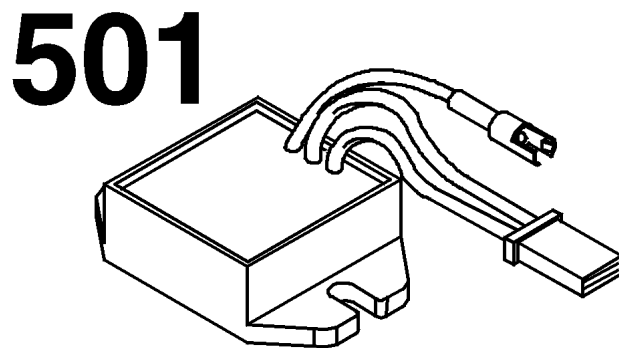
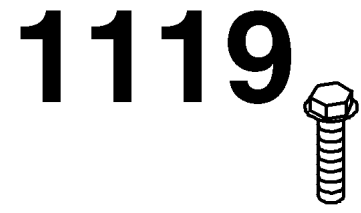
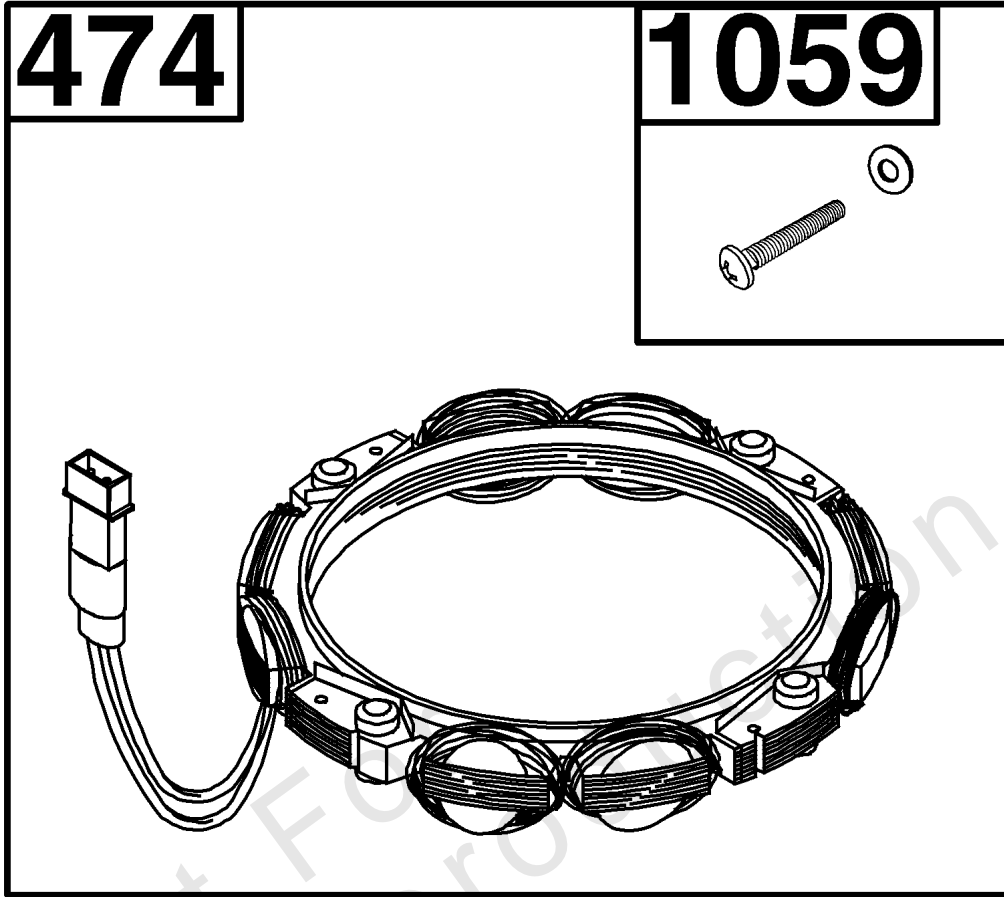


Parts Manual

Mfg. No: 44C877-0003-B1

Model Components	Page
Alternator Group.....	4
Blower Housing and Air Cleaner Group.....	6
Carburetor and Fuel Supply Group.....	8
Controls Group.....	10
Crankcase Cover/Sump Group.....	12
Crankshaft Group.....	14
Cylinder Group.....	16
Cylinder Head Group.....	20
Flywheel, Ignition, and Starter Group.....	22
Lubrication Group.....	24
Replacement Engine - US & Canada.....	26

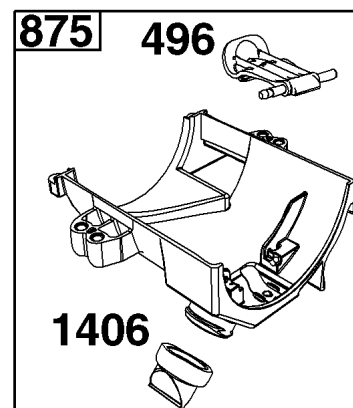
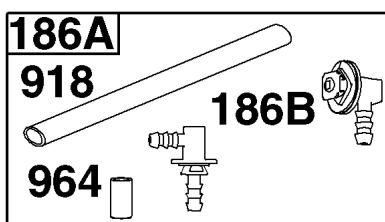
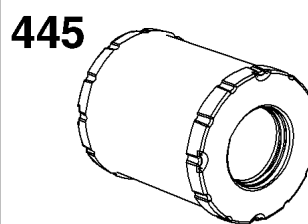
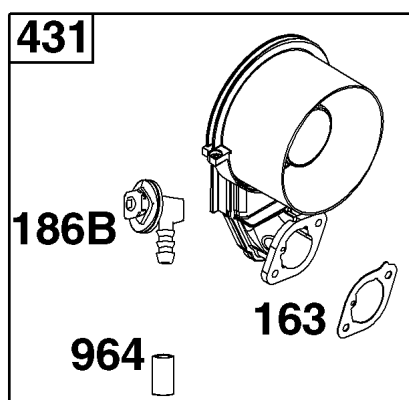
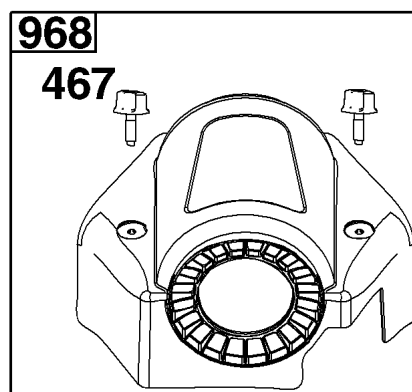
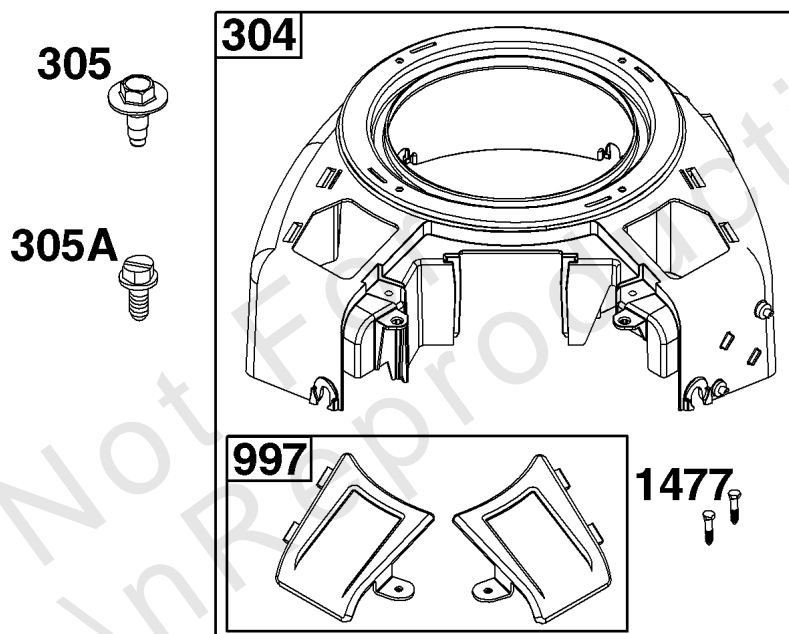
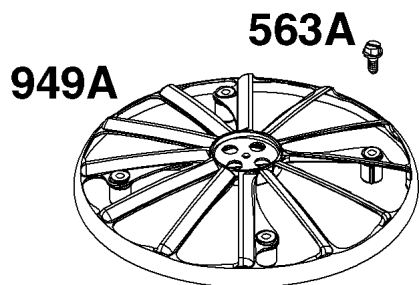
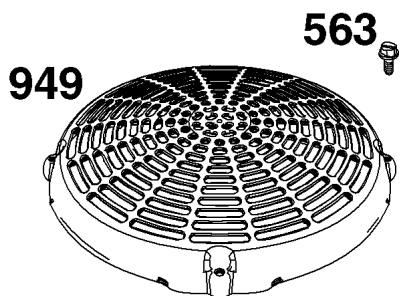
Not For
InRproduction



Alternator Group

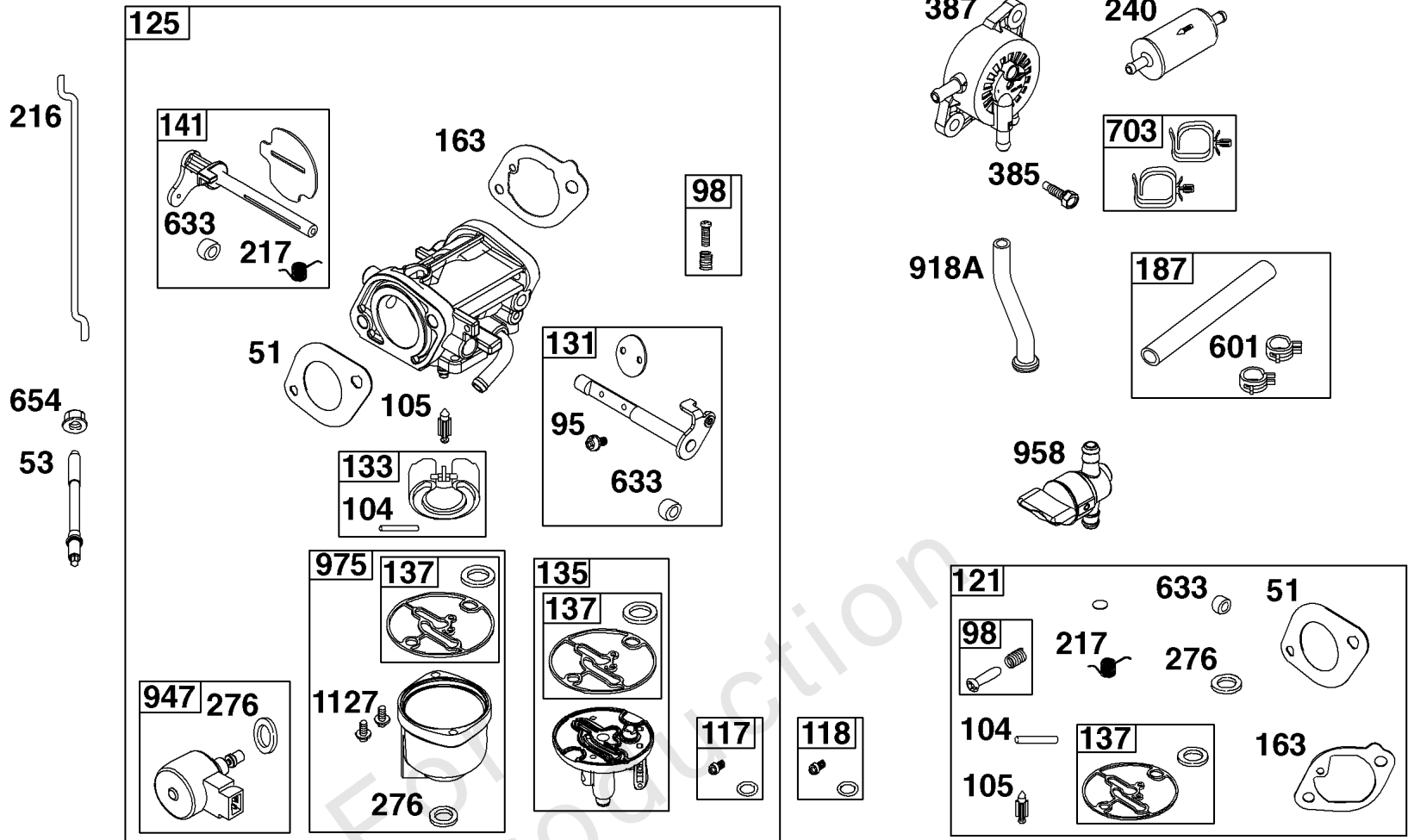
REF NO	PART NO	QTY	DESCRIPTION
474	592830	1	ALTERNATOR
501	593490	1	REGULATOR
526	691108	2	SCREW -(Regulator)
1059	698516	1	KIT, Screw/Washer
1119	691183	4	SCREW -(Alternator)

Not For In Reproduction



Blower Housing and Air Cleaner Group

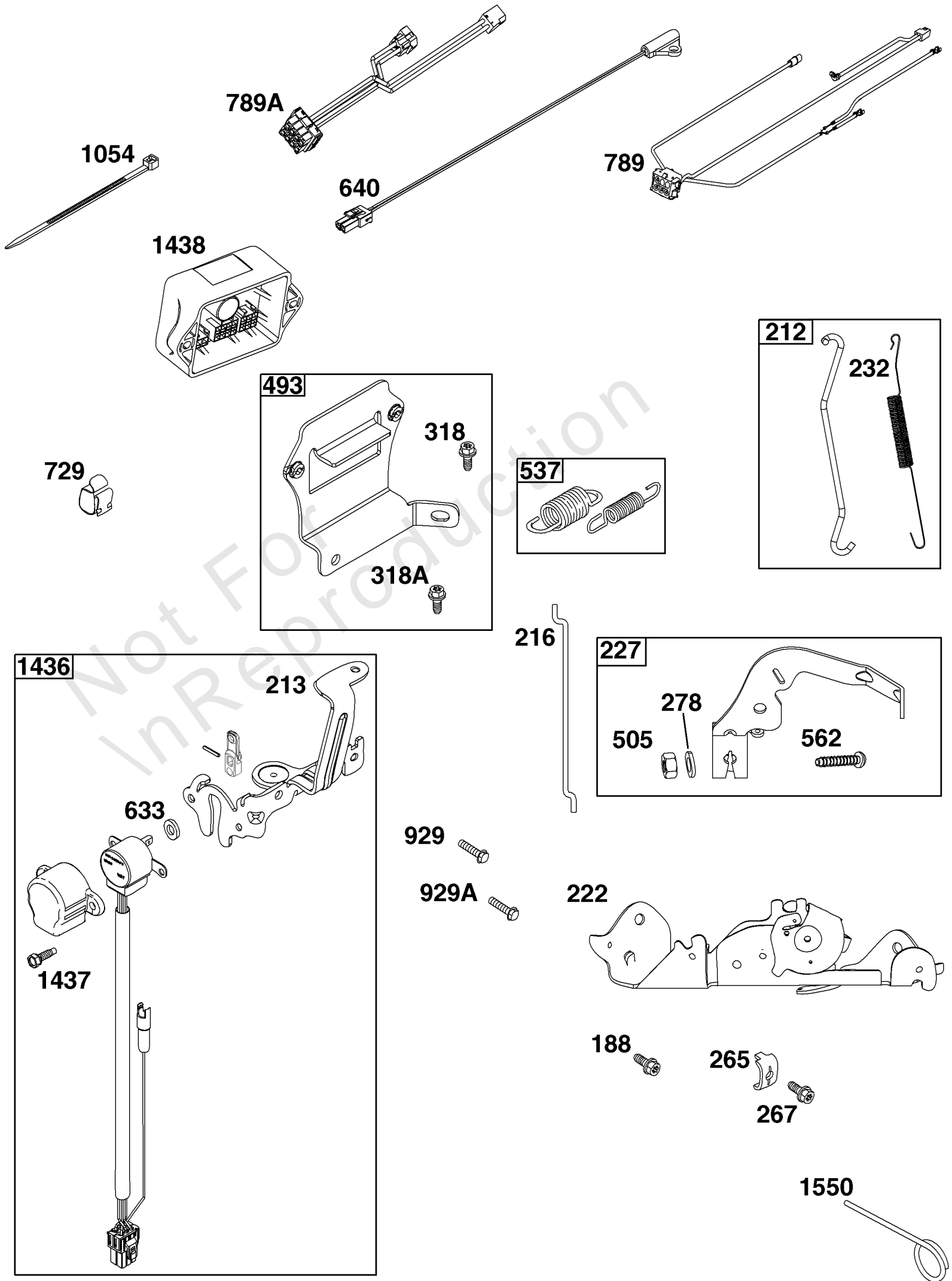
REF NO	PART NO	QTY	DESCRIPTION
163	-----	1	GASKET, Air Cleaner -(Part information located in Carburetor and Fuel Supply Group.)
186A	799158	1	CONNECTOR, Hose
186B	593630	1	ELBOW, Intake
304	799957	1	HOUSING, Blower
305	594618	6	SCREW -(Blower Housing)
305A	691130	2	SCREW -(Blower Housing)
431	595735	1	ELBOW, Intake
445	798897	1	FILTER, A/C Cartridge
467	790697	2	KNOB, Air Cleaner Cover
496	799095	1	LEVER, Air Cleaner Filter
563	799360	4	SCREW -(Debris Screen Guard)
563A	698425	4	SCREW -(Debris Screen Guard)
875	799094	1	BASE, Air Cleaner
918	799160	1	HOSE, Vacuum
949	593218	1	GUARD, Debris Screen
949A	593206	1	GUARD, Debris Screen
964	799159	1	CAP, Connector
968	799102	1	COVER, Air Cleaner
971	698304	2	SCREW -(Air Cleaner Base to Carburetor/Throttle Body)
997	592782	1	COVER, Blower Housing
1319	794467	1	LABEL, Warning -(REQUIRED When Replacing Parts With Warning Labels Affixed)
1319A	797669	1	LABEL, Warning -(REQUIRED When Replacing Parts With Warning Labels Affixed)
1406	799096	1	VALVE, Debris
1477	799093	2	SCREW -(Debris Shield)



Not For Reproduction

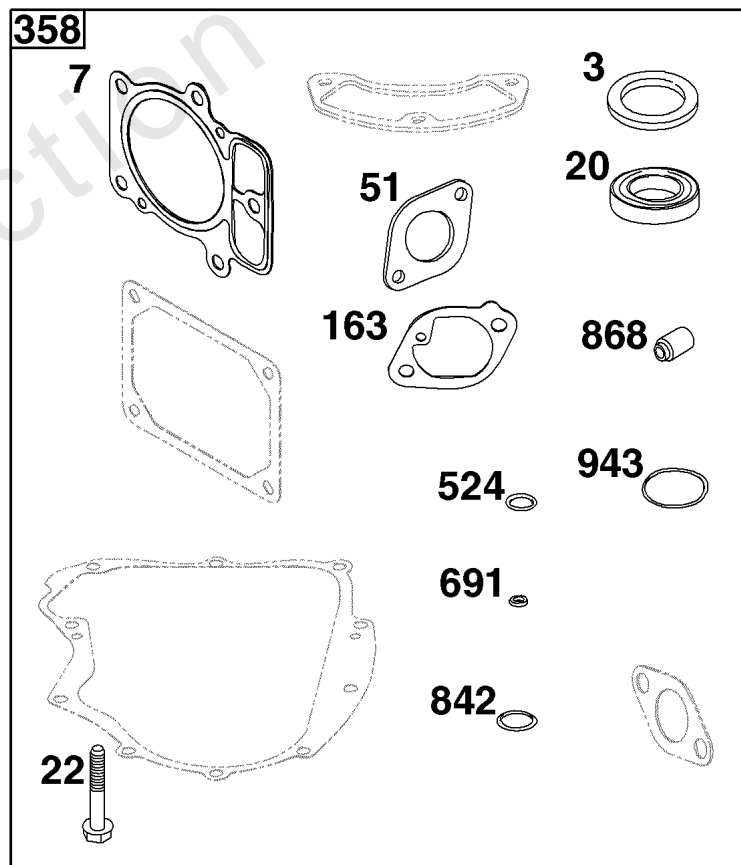
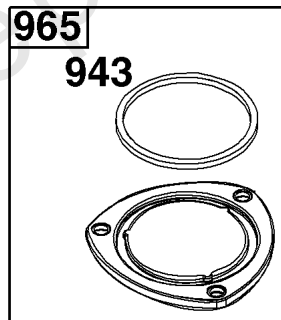
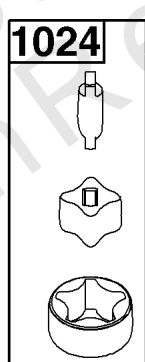
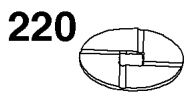
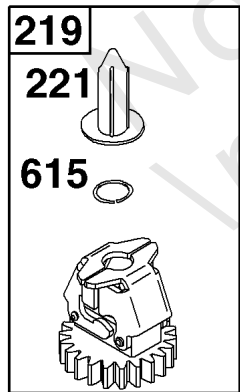
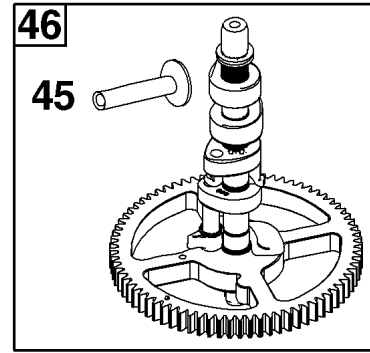
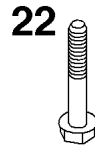
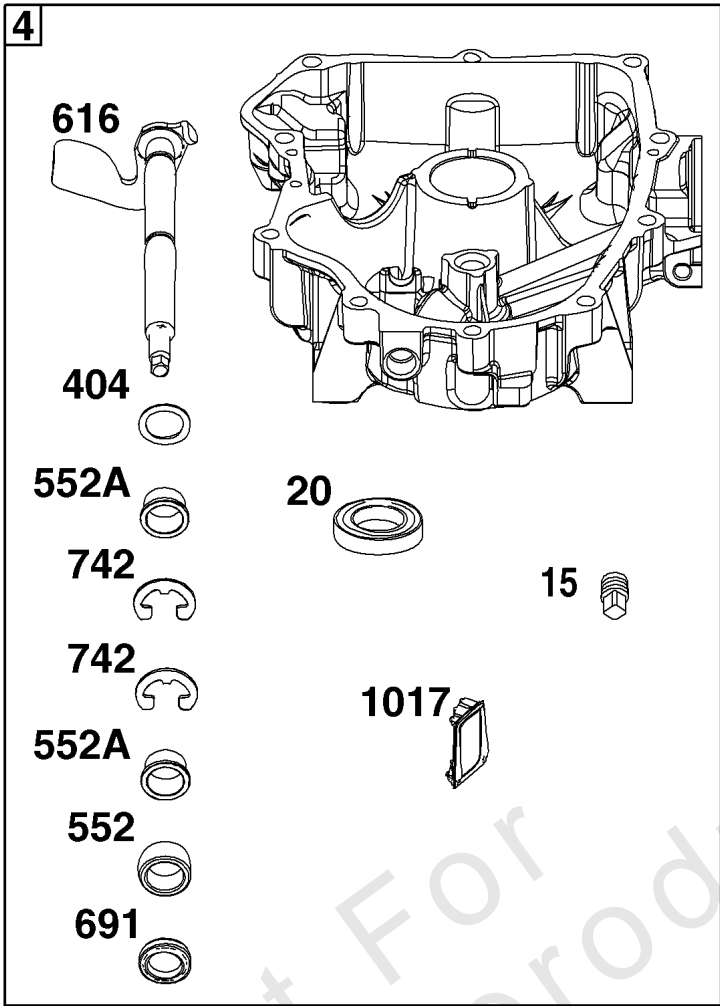
Carburetor and Fuel Supply Group

REF NO	PART NO	QTY	DESCRIPTION
51	-----	1	GASKET, Intake
53	690951	2	STUD -(Carburetor)
95	690718	2	SCREW -(Throttle Valve)
98	695408	1	KIT, Idle Speed
104	694918	1	PIN, Float Hinge
105	698537	1	VALVE, Float Needle
117	842082	1	JET, Main -(Standard)
118	842081	1	JET, Main -(High Altitude)
121	594212	1	KIT, Carburetor Overhaul -(Service Kits may include extra parts not specific to this engine.)
125	596102	1	CARBURETOR
131	594210	1	KIT, Throttle Shaft
133	694914	1	FLOAT, Carburetor
135	591701	1	TUBE, Fuel Transfer
137	698781	1	GASKET, Float Bowl
141	594211	1	KIT, Choke Shaft
141	594211	1	KIT, Choke Shaft
163	594203	1	GASKET, Intake
187	791766	1	LINE, Fuel
216	-----	1	LINK, Choke -(Part information located in Controls Group.)
217	799771	1	SPRING, Choke Return
240	845125	1	FILTER, Fuel
276	695410	1	WASHER, Sealing
385	797409	2	SCREW -(Fuel Pump)
387	808656	1	PUMP, Fuel
601	691038	2	CLAMP, Hose
633	699813	2	SEAL, Choke/Throttle Shaft
654	690958	2	NUT -(Carburetor)
703	691010	2	CLIP
918A	596163	1	HOSE, Vacuum
947	596039	1	SOLENOID, Fuel
958	593171	1	VALVE, Fuel Shut Off
975	591699	1	BOWL, Float
1127	695407	2	SCREW -(Float Bowl) (Float Bowl to Carburetor Body)



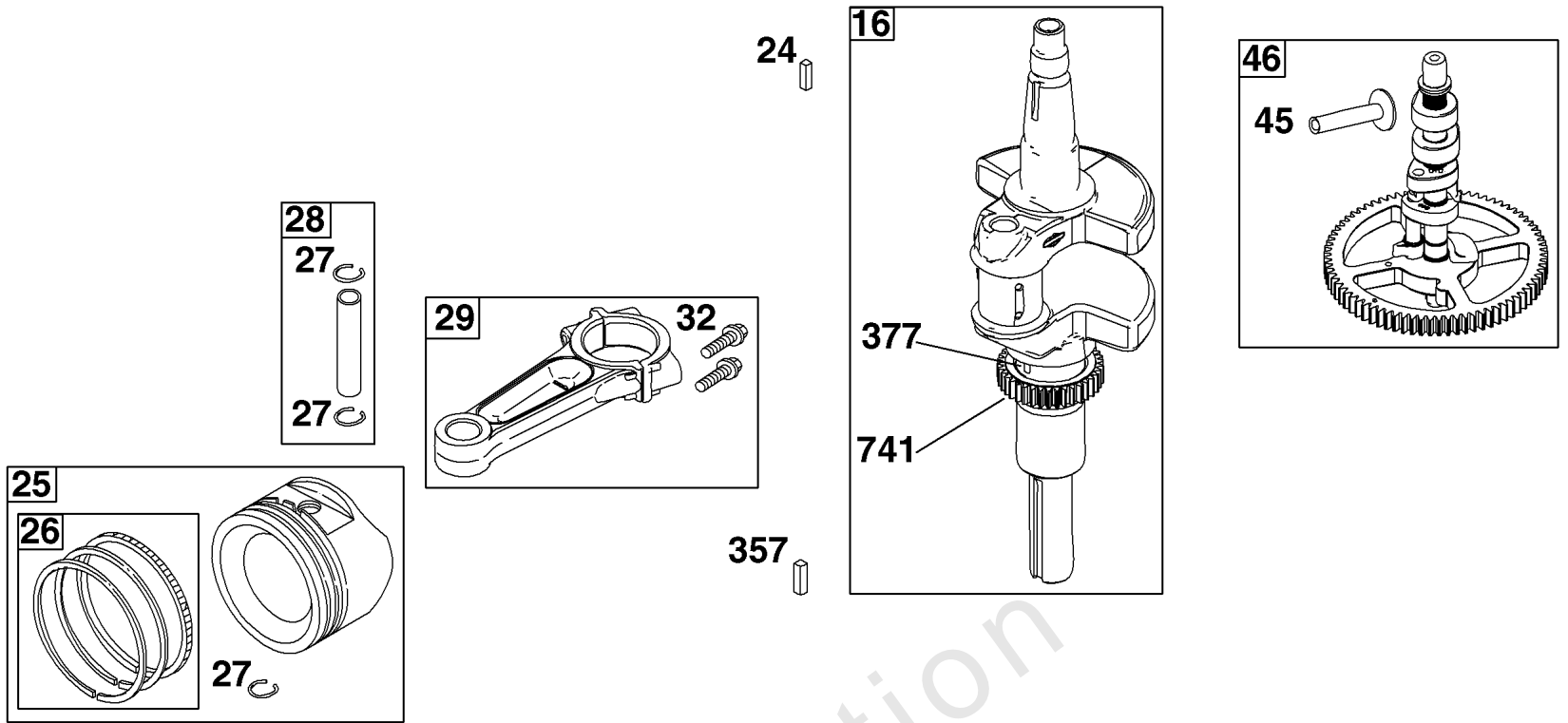
Controls Group

REF NO	PART NO	QTY	DESCRIPTION
188	691003	2	SCREW -(Control Bracket)
212	597429	1	LINK, Throttle
213	799153	1	BRACKET, Choke Control
216	796879	1	LINK, Choke
222	798916	1	BRACKET, Control
227	798856	1	LEVER, Governor Control
232	597550	1	SPRING, Governor Link
265	691024	1	CLAMP, Casing
267	792629	1	SCREW -(Casing Clamp)
278	845498	1	WASHER -(Governor Control Lever)
318	691127	2	SCREW -(Mounting Bracket)
318A	792629	1	SCREW
493	797176	1	BRACKET, Mounting
505	691029	1	NUT -(Governor Control Lever)
537	594918	1	KIT, Governor/Idle Spring
562	690311	1	BOLT -(Governor Control Lever)
633	691321	1	SEAL, Choke/Throttle Shaft -(Throttle Shaft)
640	796913	1	WIRE ASSEMBLY -(Thermistor)
729	593826	1	CLIP, Wire
789	797492	1	HARNESS, Wiring
789A	796914	1	HARNESS, Wiring
929	695239	2	SCREW -(Choke Control Bracket)
929A	794904	1	SCREW -(Choke Control Bracket)
1054	280275	1	TIE, Cable
1436	799108	1	MOTOR, Stepper/Bracket
1437	699891	2	SCREW -(Stepper/Bracket Motor)
1438	796352S	1	MODULE, Electronic Choke
1550	595801	1	PIN, Speed Setting



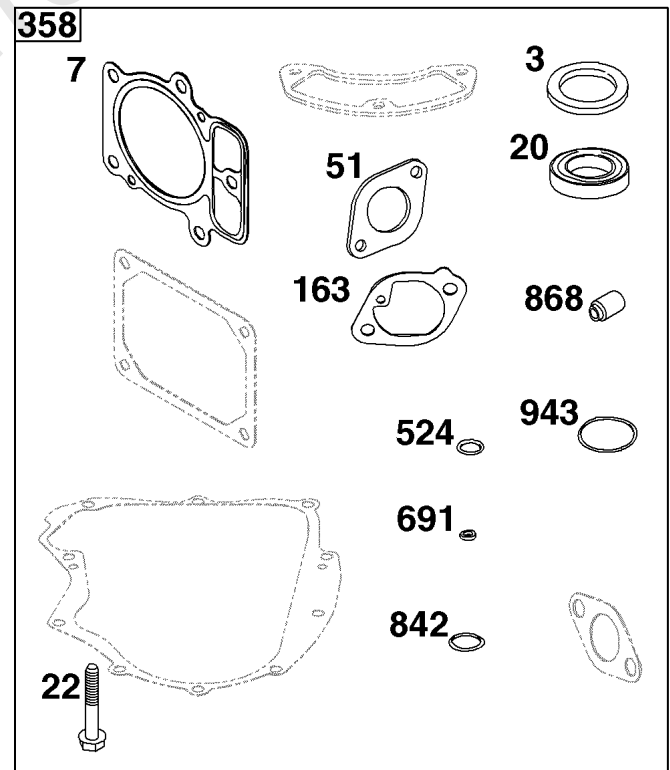
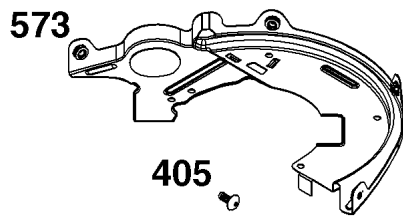
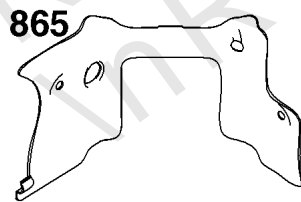
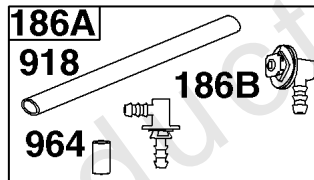
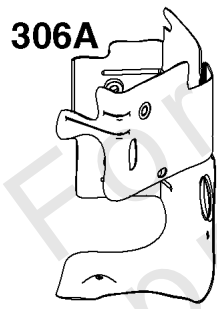
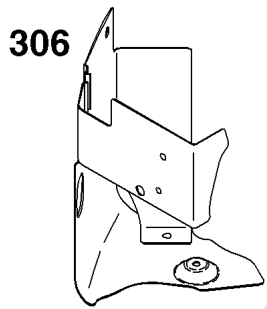
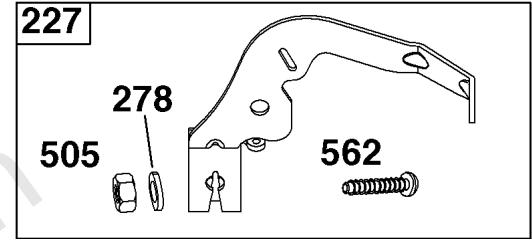
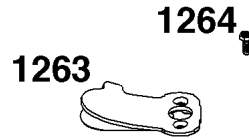
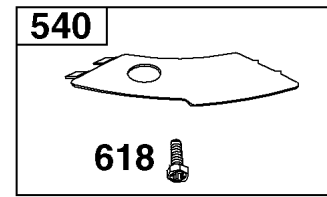
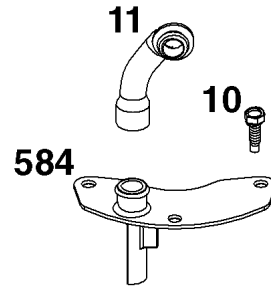
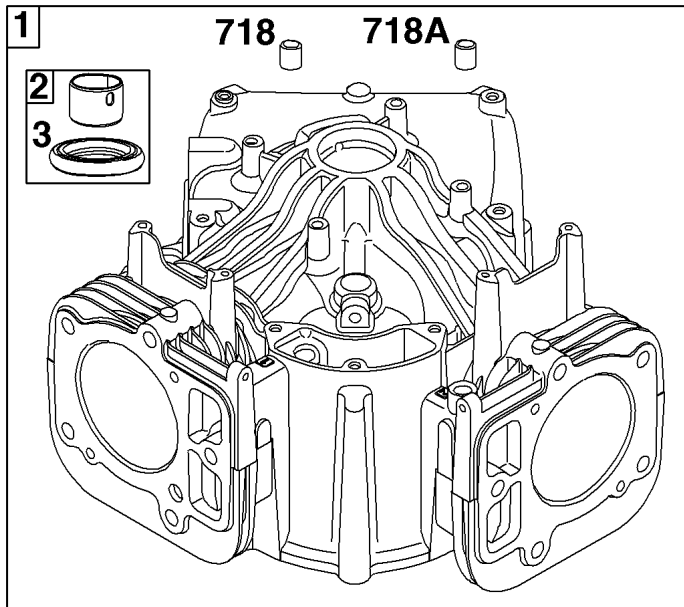
Crankcase Cover/Sump Group

REF NO	PART NO	QTY	DESCRIPTION
3	-----	1	SEAL, Oil -(Part information located in Cylinder Group.)
4	594973	1	SUMP, Engine
7	-----	2	GASKET, Cylinder Head -(Part information located in Cylinder Head Group.)
15	690946	1	PLUG, Oil Drain
20	795387	1	SEAL, Oil -(PTO Side)
22	694966	10	SCREW -(Crankcase Cover/Sump)
45	-----	4	TAPPET, Valve -(Part information located in Cylinder Head Group.)
46	-----	1	CAMSHAFT -(Part information located in Crankshaft Group.)
51	-----	1	GASKET, Intake -(Part information located in Cylinder Head Group.)
163	-----	1	GASKET, Air Cleaner -(Part information located in Carburetor and Fuel Supply Group.)
219	793338	1	GEAR, Governor
220	799772	1	WASHER -(Governor Gear)
221	841026	1	CUP, Governor
358	594213	1	GASKET SET, Engine -(Service Kits may include extra parts not specific to this engine.)
404	690442	1	WASHER -(Governor Crank)
524	-----	1	SEAL, O-Ring -(Part information located in Lubrication Group.)
552	796638	1	BUSHING, Governor Crank
552A	690553	2	BUSHING, Governor Crank
615	698290	1	RETAINER, Governor Shaft
616	691045	1	CRANK, Governor
691	790574	1	SEAL, Governor Shaft
742	690328	2	RETAINER, E Ring
750	-----	3	SCREW -(Part information located in Lubrication Group.)
842	-----	1	SEAL, O-Ring -(Part information located in Lubrication Group.)
850	100106	1	SEALANT, Liquid
868	-----	2	SEAL, Valve -(Part information located in Cylinder Head Group.)
943	-----	1	SEAL, O-Ring -(Part information located in Lubrication Group.)
965	-----	1	COVER, Oil Pump -(Part information located in Lubrication Group.)
1017	796214	1	SCREEN, Oil Pump
1024	-----	1	PUMP, Oil -(Part information located in Lubrication Group.)



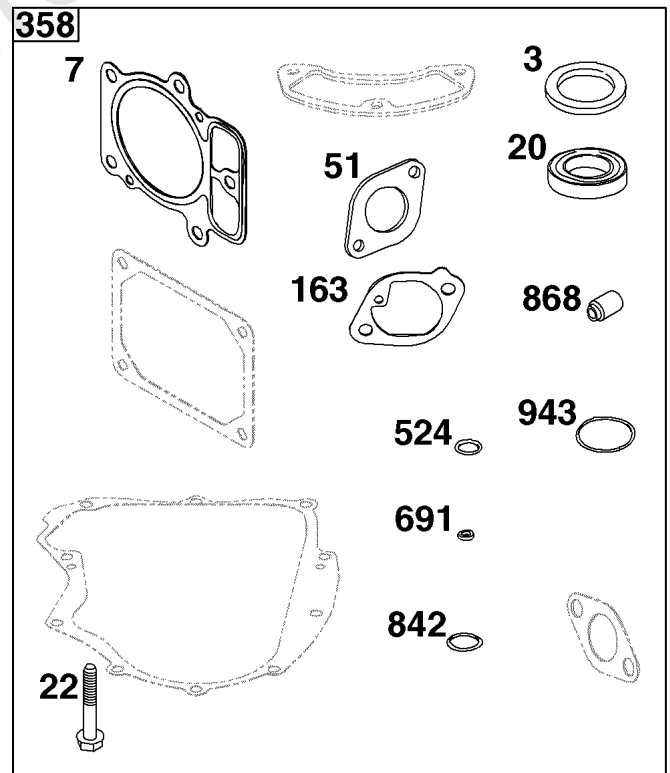
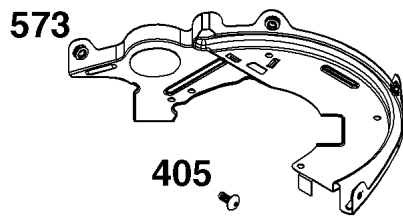
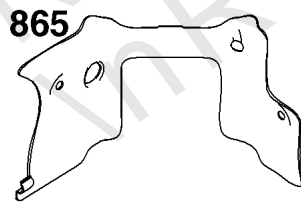
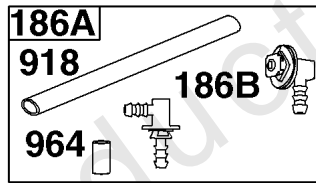
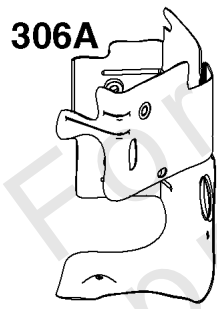
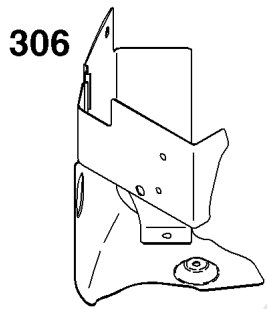
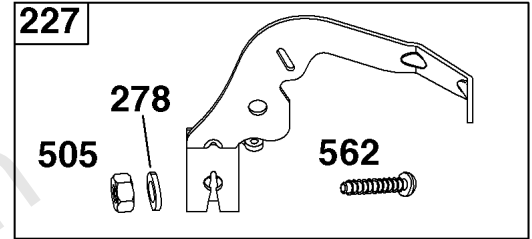
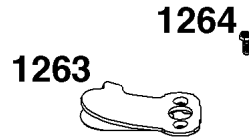
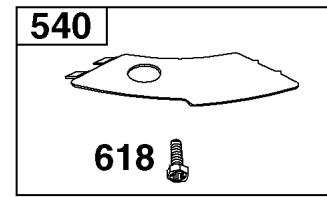
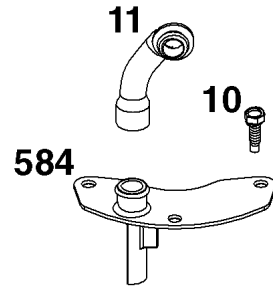
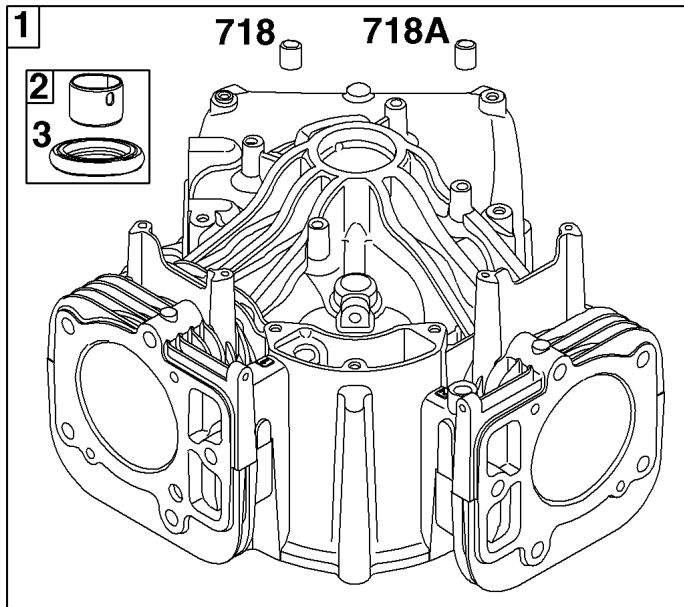
Crankshaft Group

REF NO	PART NO	QTY	DESCRIPTION
16	595730	1	CRANKSHAFT
24	222698S	1	KEY, Flywheel
25	792023	2	PISTON ASSEMBLY -(Standard)
25	792072	2	PISTON ASSEMBLY -(.020" Oversize)
26	792026	2	SET, Ring -(Standard)
26	792073	2	SET, Ring -(.020" Oversize)
27	690975	4	LOCK, Piston Pin
28	593650	2	PIN, Piston
29	796209	2	ROD, Connecting
32	690976	4	SCREW -(Connecting Rod)
45	-----	4	TAPPET, Valve -(Part information located in Cylinder Head Group.)
46	797242	1	CAMSHAFT
357	691483	1	KEY, Drive Pulley
377	690979	1	KEY, Woodruff
741	690980	1	GEAR, Timing



Cylinder Group

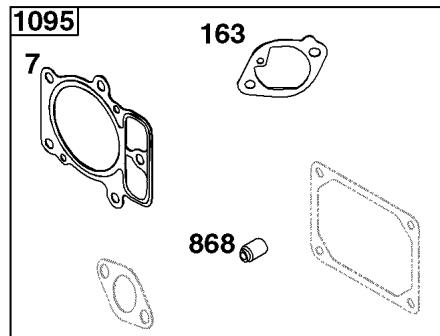
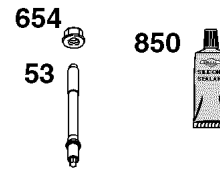
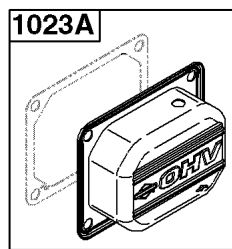
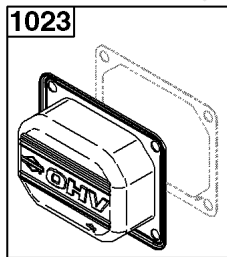
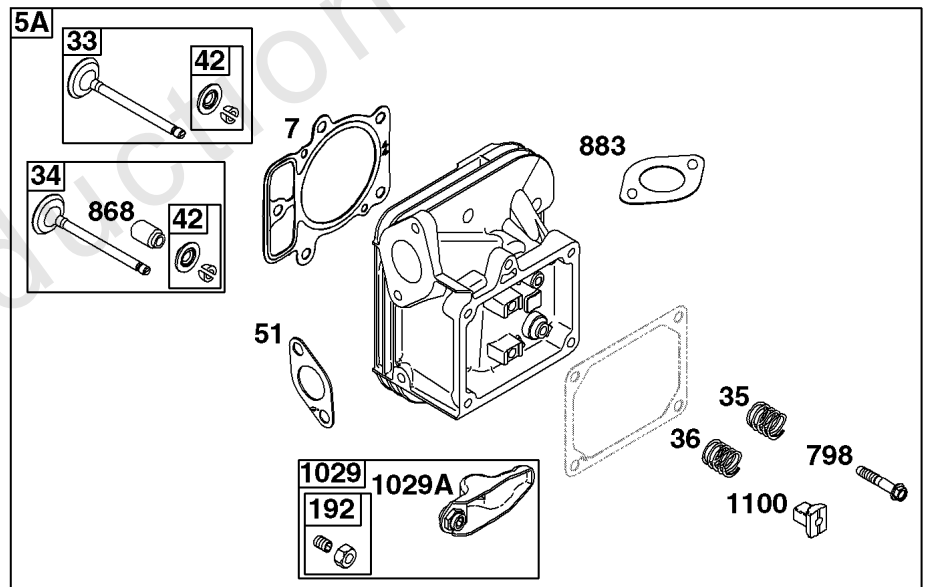
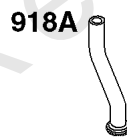
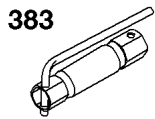
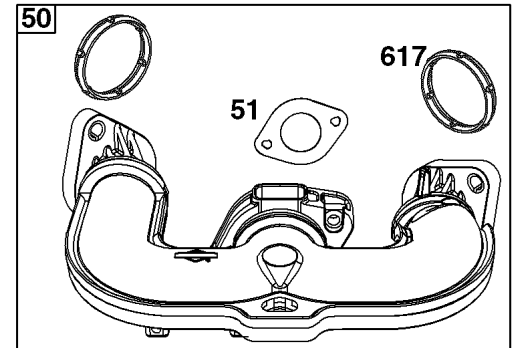
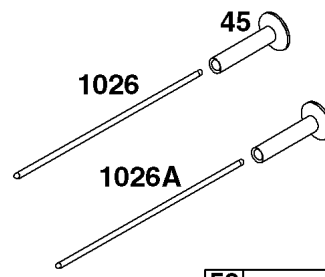
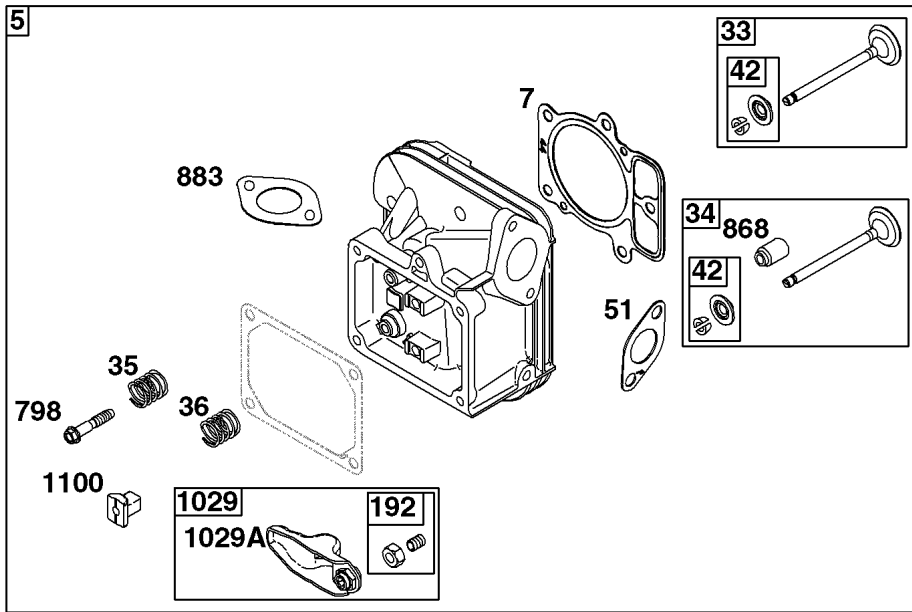
REF NO	PART NO	QTY	DESCRIPTION
1	594970	1	CYLINDER ASSEMBLY
2	797673	1	KIT, Bushing/Seal -(Magneto Side)
3	391086S	1	SEAL, Oil -(Magneto Side)
7	693997	2	GASKET, Cylinder Head
10	691108	3	SCREW -(Breather Assembly)
11	594163	1	TUBE, Breather
20	-----	1	SEAL, Oil -(Part information located in Crankcase Cover/Sump Group.)
22	-----	10	SCREW -(Part information located in Crankcase Cover/Sump Group.)
51	-----	1	GASKET, Intake -(Part information located in Cylinder Head Group.)
163	-----	1	GASKET, Air Cleaner -(Part information located in Carburetor and Fuel Supply Group.)
186A	JUMPTO186A	1	CONNECTOR, Hose -(Part information located in Blower Housing and Air Cleaner Group.)
186B	JUMPTO186B	1	CONNECTOR, Hose -(Part information located in Blower Housing and Air Cleaner Group.)
227	-----	1	LEVER, Governor Control -(Part information located in Controls Group.)
278	-----	1	WASHER -(Part information located in Controls Group.)
306	796852	1	SHIELD, Cylinder
306A	591666	1	SHIELD, Cylinder
307	691003	4	SCREW -(Cylinder Shield)
307A	691108	2	SCREW -(Cylinder Shield)
358	594213	1	GASKET SET, Engine -(Service Kits may include extra parts not specific to this engine.)
405	594937	7	SCREW -(Back Plate)
505	-----	1	NUT -(Part information located in Controls Group.)
524	-----	1	SEAL, O-Ring -(Part information located in Lubrication Group.)
540	594325	1	PLATE, Baffle
562	-----	1	BOLT -(Part information located in Controls Group.)
573	594902	1	PLATE, Back
584	594164	1	COVER, Breather Passage
618	594326	1	SCREW -(Baffle Plate)
691	-----	1	SEAL, Governor Shaft -(Part information located in Crankcase Cover/Sump Group.)
718	690959	6	PIN, Locating
718A	594988	1	PIN, Locating
842	-----	1	SEAL, O-Ring -(Part information located in Lubrication Group.)
850	-----	1	SEALANT, Liquid -(Part information located in Crankcase Cover/Sump Group.)
865	591667	1	COVER, Air Guide
868	690968	1	SEAL, Valve
918	-----	1	HOSE, Vacuum -(Part information located in Blower Housing and Air Cleaner Group.)



Cylinder Group

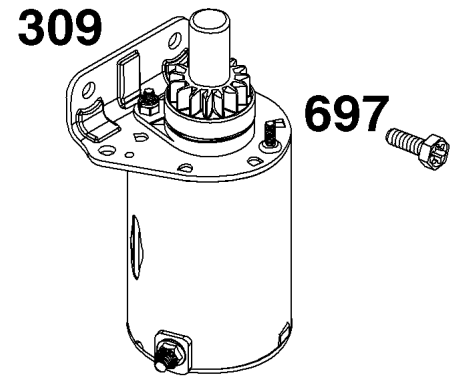
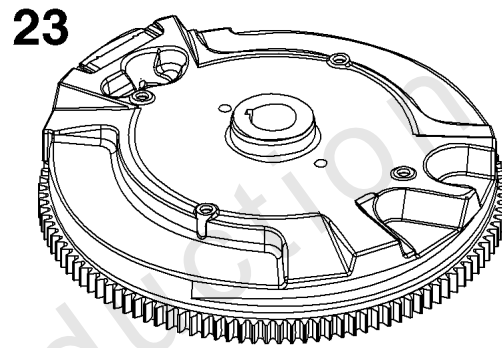
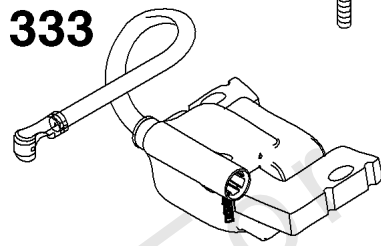
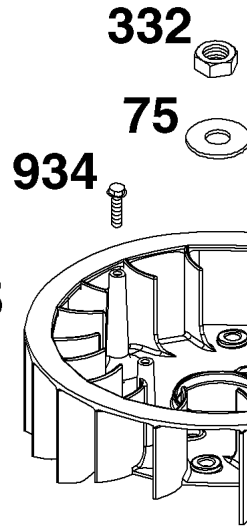
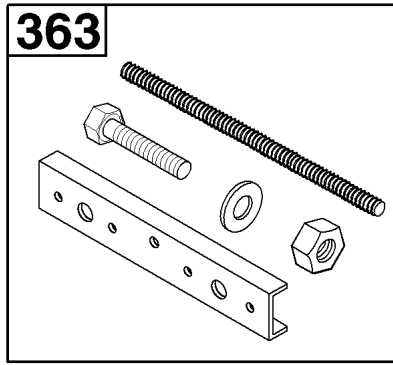
REF NO	PART NO	QTY	DESCRIPTION
943	-----	1	SEAL, O-Ring -(Part information located in Crankcase Cover/Sump Group.)
964	-----	1	CAP, Connector -(Part information located in Blower Housing and Air Cleaner Group.)
1263	594166	1	REED, Breather
1264	594165	1	SCREW -(Breather Reed)

Not For In Reproduction



Cylinder Head Group

REF NO	PART NO	QTY	DESCRIPTION
5	597136	1	HEAD, Cylinder
5A	597137	1	HEAD, Cylinder
7	693997	2	GASKET, Cylinder Head
13	592244	10	SCREW -(Cylinder Head)
33	793557	2	VALVE, Exhaust
34	793556	2	VALVE, Intake
35	694865	2	SPRING, Valve -(Intake)
36	694865	2	SPRING, Valve -(Exhaust)
42	499586	4	KEEPER, Valve
45	690977	4	TAPPET, Valve
50	594206	1	MANIFOLD, Intake
51	594204	1	GASKET, Intake
53	-----	2	STUD -(Part information located in Carburetor and Fuel Supply Group.)
54	699816	4	SCREW -(Intake Manifold)
163	-----	1	GASKET, Air Cleaner -(Part information located in Carburetor and Fuel Supply Group.)
192	690083	4	ADJUSTER, Rocker Arm
337	792015	2	PLUG, Spark
383	195765	1	WRENCH, Spark Plug
613	690341	4	SCREW -(Muffler)
617	594209	2	SEAL, O-Ring -(Intake Manifold)
635	692076	2	BOOT, Spark Plug
654	-----	1	NUT -(Part information located in Carburetor and Fuel Supply Group.)
798	697890	4	SCREW -(Rocker Arm)
850	-----	1	SEALANT, Liquid -(Part information located in Crankcase Cover/Sump Group.)
868	690968	2	SEAL, Valve
883	690970	1	GASKET, Exhaust
914	691127	8	SCREW -(Rocker Cover)
918A	596163	1	HOSE, Vacuum -Used Before Code Date 19091800
918A	593641	1	HOSE, Vacuum -Used After Code Date 19091700
1023	499600	1	COVER, Rocker
1023A	793146	1	COVER, Rocker
1026	690981	2	ROD, Push -(Exhaust)(Steel)
1026A	690982	2	ROD, Push -(Intake)(Aluminum)
1029	690972	4	ARM, Rocker
1029A	807323	4	ARM, Rocker
1095	594214	1	GASKET SET, Valve -(Service Kits may include extra parts not specific to this engine.)
1100	791959	4	PIVOT, Rocker Arm

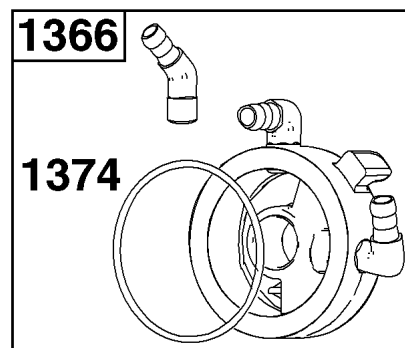
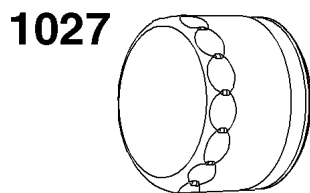
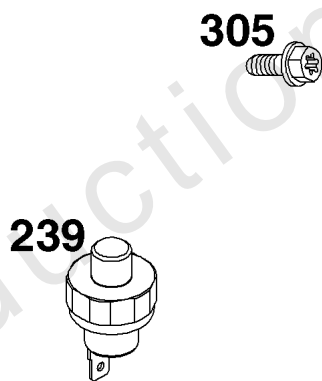
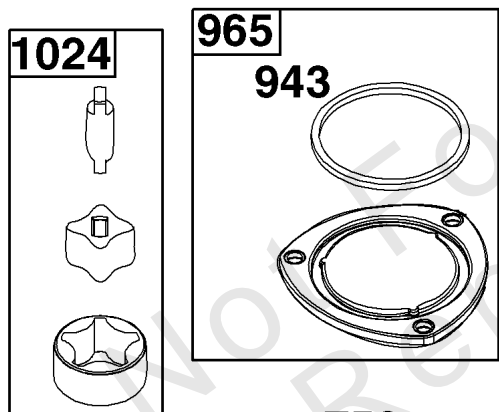
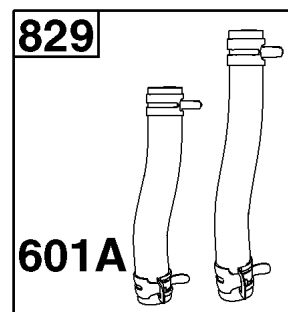
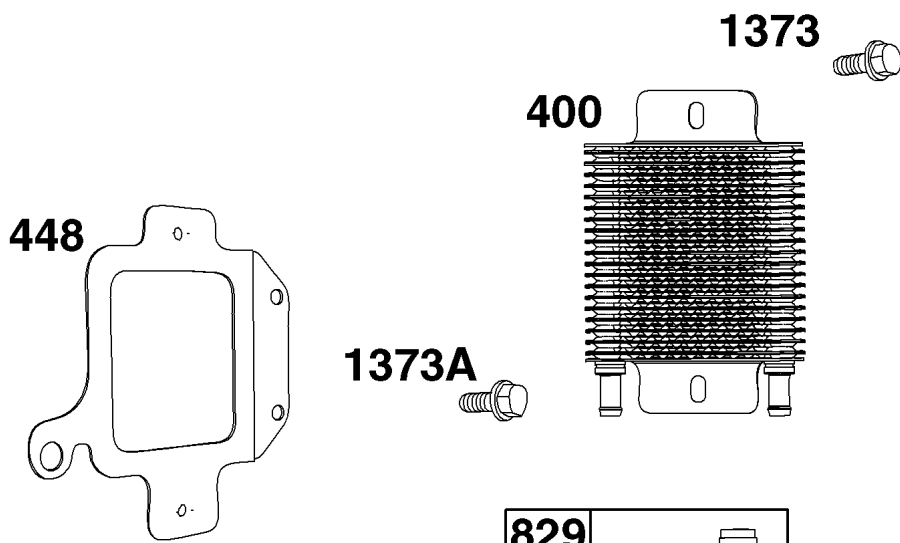
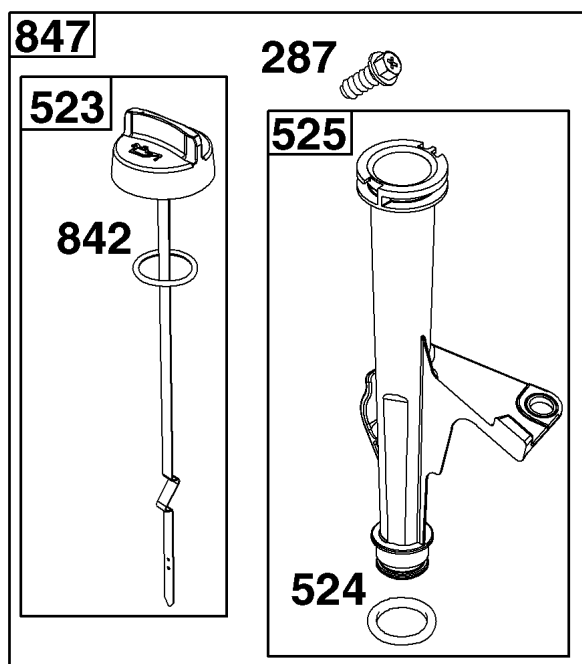


Not For Reproduction

Flywheel, Ignition, and Starter Group

REF NO	PART NO	QTY	DESCRIPTION
23	594169	1	FLYWHEEL
75	691056	1	WASHER -(Flywheel)
309	590476	1	MOTOR, Starter
332	691059	1	NUT -(Flywheel)
333	592846	2	ARMATURE, Magneto
334	691061	4	SCREW -(Magneto Armature)
363	19621	1	PULLER, Flywheel
635	-----	2	BOOT, Spark Plug -(Part information located in Cylinder Head Group.)
697	591909	2	SCREW -(Starter Motor) (Drive Cap)
729	-----	1	CLIP, Wire -(Part information located in Controls Group.)
934	593638	4	SCREW -(Fan Retainer)
1005	593640	1	FAN, Flywheel

Not For In-Production



Lubrication Group

REF NO	PART NO	QTY	DESCRIPTION
239	792028	1	SWITCH, Oil Pressure
287	697820	1	SCREW -(Dipstick Tube)
305	-----	6	SCREW -(Part information located in Blower Housing and Air Cleaner Group.)
400	796862	1	COOLER, Oil
448	799103	1	BRACKET, Oil Cooler
523	594528	1	DIPSTICK
524	691032	1	SEAL, O-Ring -(Dipstick Tube)
525	597129	1	TUBE, Dipstick
601A	841597	4	CLAMP, Hose
750	796208	3	SCREW -(Oil Pump Cover)
829	799104	1	HOSE, Oil Cooler
829	799104	1	HOSE, Oil Cooler
842	691031	1	SEAL, O-Ring -(Dipstick Cap)
847	597130	1	DIPSTICK/TUBE ASSEMBLY -(Service Kits may include extra parts not specific to this engine.)
943	796222	1	SEAL, O-Ring -(Oil Pump Cover)
965	796221	1	COVER, Oil Pump
1024	796220	1	PUMP, Oil
1027	696854	1	FILTER, Oil
1028	796864	1	ADAPTER, Oil Filter
1366	799131	1	DIVERTER, Oil Cooler
1373	695629	2	SCREW -(Oil Cooler Bracket)
1374	796863	1	SEAL, O-Ring -(Oil Cooler Diverter)
1373A	799105	2	SCREW -(Oil Cooler Bracket)

Replacement Engine - US & Canada

REF NO	PART NO	QTY	DESCRIPTION
	797092	1	Replacement Short Block

Not For In Reproduction

