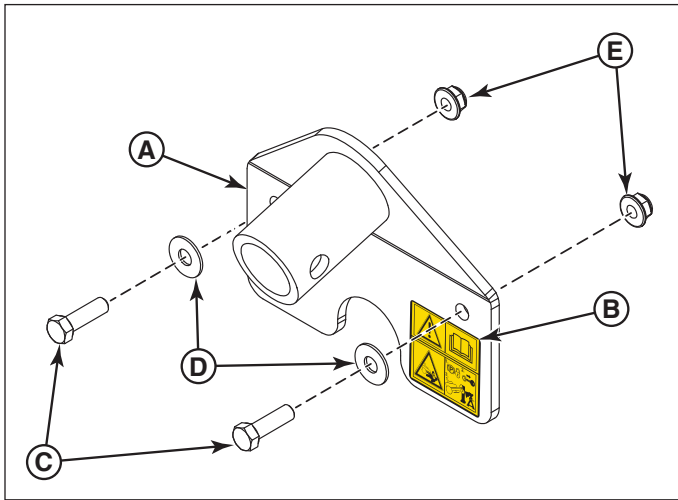


# Installation Instructions

## Service Jack Mount Kit

Part No. 5601098

5601098 - Kit, Mount, Service Jack



Callout	P/N	Description	Qty
A	5417174A	Weld, Jack Plate	1
B	5105632	Decal, Warnings, SVC Jack	1
C	5025013X10	Bolt, 3/8-16 X 1-1/4"	2
D	5025401	Washer, 3/8 USS	2
E	5025394	Nut, 3/8-16 Hex Nylock Flange	2

### Installing the Jack Mount Plate



Before beginning any service work turn off the PTO, engage the parking brake, turn off the ignition, remove the ignition key, and disconnect the spark plug wire(s).

1. Park the machine on a flat, level surface such as a concrete floor. Engage the parking brake, disengage the PTO, turn the ignition switch to OFF, and remove the ignition key.
2. Remove the two (2) 3/8 socket head screws (A, Figure 1) and 3/8 nylock flange nuts (B) that secure the front of the foot plate (C) to the zero-turn rider.
2. Install the jack plate (D) to the zero-turn rider using two (2) 3/8 bolts (E), washers (F), and nuts (B) through the existing holes of the foot plate.

*Important Note: This kit is intended to be used with Service Jack Kit.*

### Safety Icons



Part Number: 5105632 - Decal, Warnings, SVC Jack

1.) **Warning - Read the Operator's Manual.**

2.) **Crushing Hazard, Mower:** (1.) Park machine on flat level ground and engage the parking brake; (2.) Stop the engine and remove the ignition key; (3.) Properly jack the machine and secure with jack stands before working under the machine.

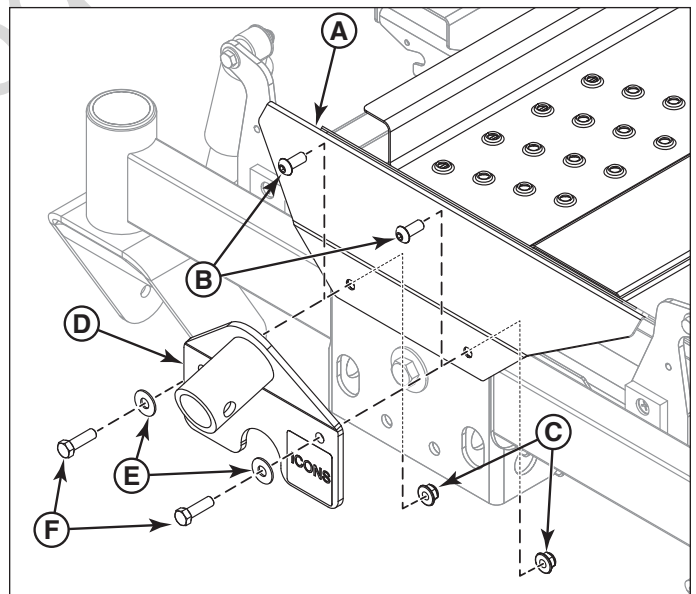


Figure 1. Installing the Jack Plate