

This catalog covers:
FX730V-□S17

GRID NO. This grid covers:
A-01 TITLE

PARTS CATALOG

4-STROKE ENGINE

FX730V

PRODUCT CODE	NOTE
FX730V-AS17	STD
	(ZTR)

PARTS CATALOG INTRODUCTION

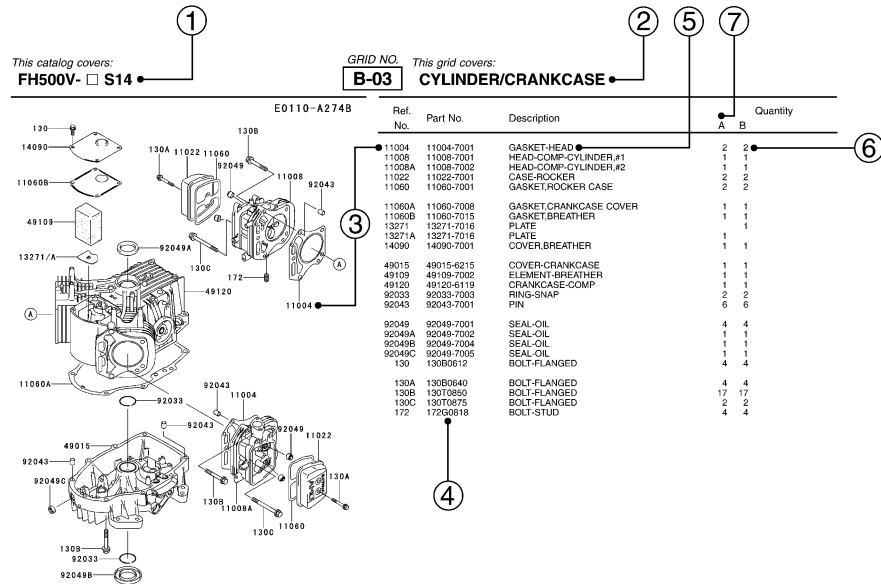
This parts catalog lists parts and sub-assemblies provided as service parts.

When it becomes necessary to replace parts, always use KAWASAKI GENUINE PARTS which have passed strict inspection which guarantees quality and performance.

1. HOW TO ORDER PARTS

- When ordering the parts, be sure to use the parts catalog corresponding to the product code. Check the product revision codes on the product and the catalog.
Product Code (example) : FA130D-**A**A00
Product Revision Code
- Specify the part code (all digits) exactly as listed in this catalog on your parts order.
- The parts not shown in the illustrations of this catalog are not sold separately; only the complete units or next higher assemblies illustrated are supplied as the service parts.

2. EXPLANATION OF PARTS CATALOG FORMAT



1) Product Code

This code describes the product code covered by this catalog. The product revision code, which is a part of the product code, is omitted.

2) Part Group Title

This title is the representative name for the group of parts illustrated on the page.

3) Reference Number

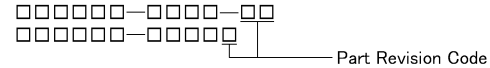
The reference numbers are shown on the illustration and the list as the link between them.

4) Part Number

This is the key of your parts ordering.

Three kinds of part number are used in this catalog.

a. Structure 1

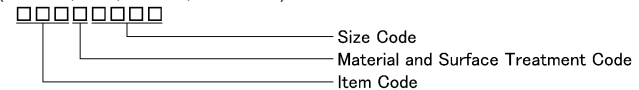


b. Structure 2



c. Standard Hardware Number

(for bolts, nuts, washer, or the like)



5) Description and Additional Information

The part name, the location, the size, and the serial number as additional information, etc. are described here. Use them to find out and check the part required.

When a part number is changed without change of the product revision code and the changed parts are not interchangeable, the serial number of the product is noted as follows;

- (FA130 - 100001) : Affected units are from beginning of the product of the product code up to and including this serial number.
- (FA130 - 100002 -) : Affected units are from this serial number and above.
- (FA130 - 100002 - FA130 - 110001) : Affected units are in this serial number range.

6) Quantity

The figure shows quantity of the part required at the indicated position on the illustration and for the specified product revision code.

The asterisk (*) on this column means the part can be used as the substitute on the product and is supplied until the stock is exhausted.

Note:Some small parts will be supplied by units.

Example: If six (6) bolts are ordered and the minimum quantity per unit is five (5), two (2), units of the bolt will be delivered.

7) Product Revision Code

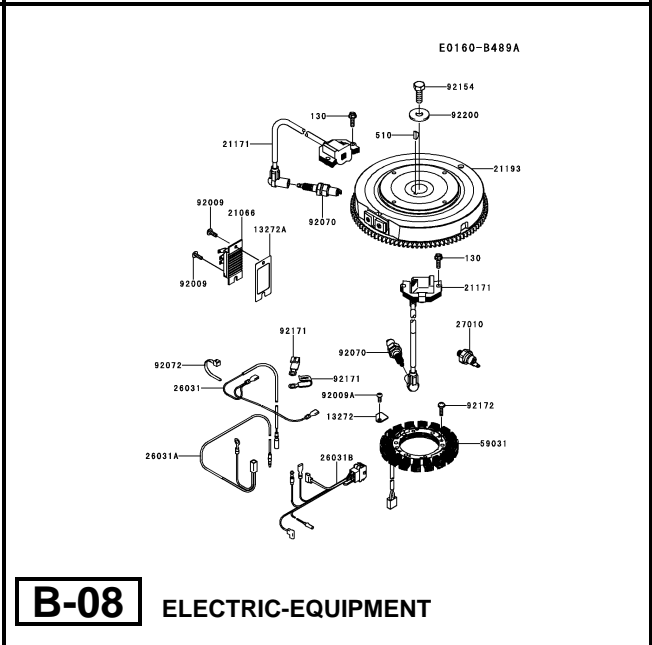
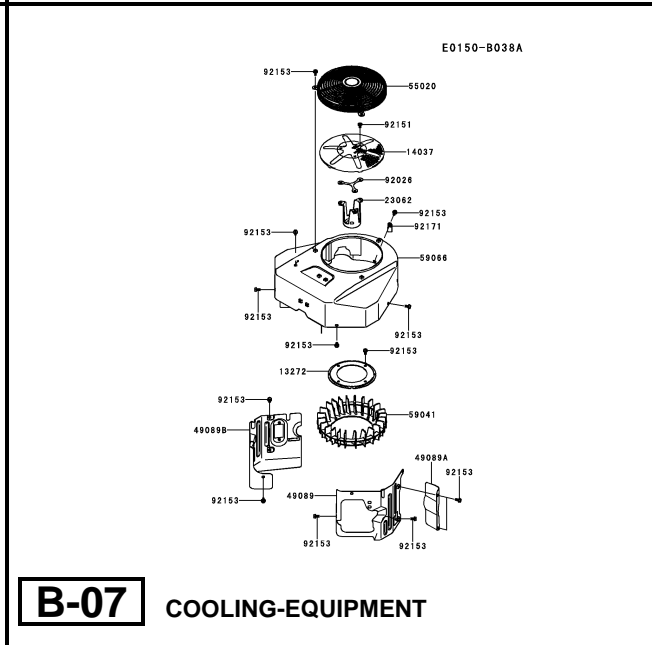
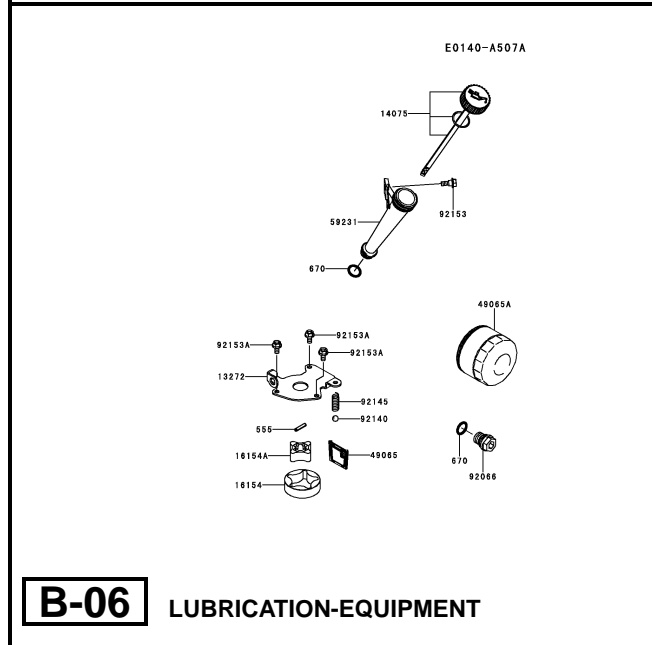
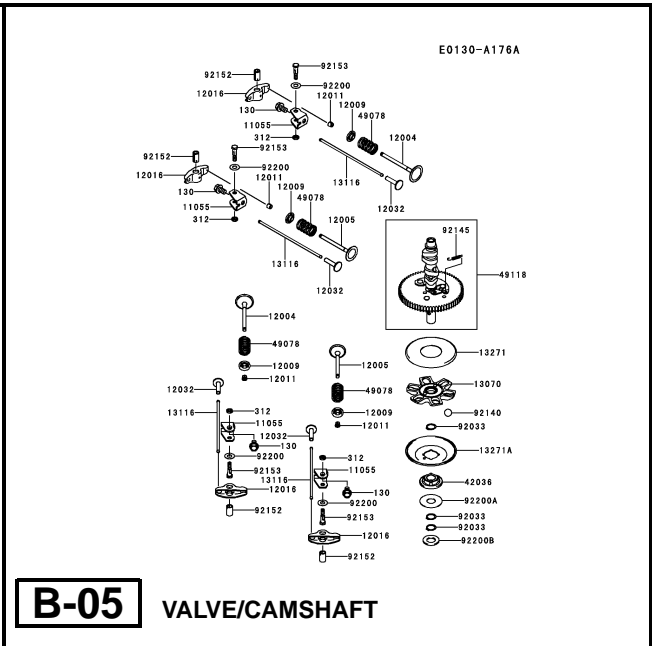
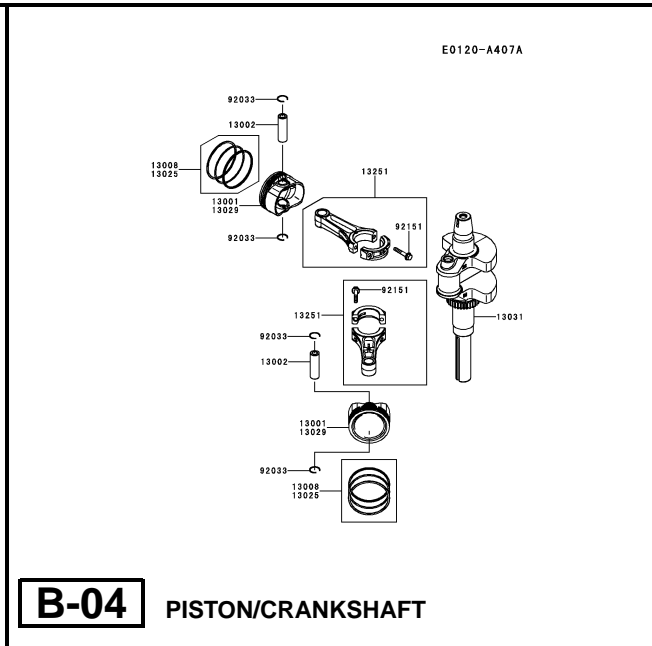
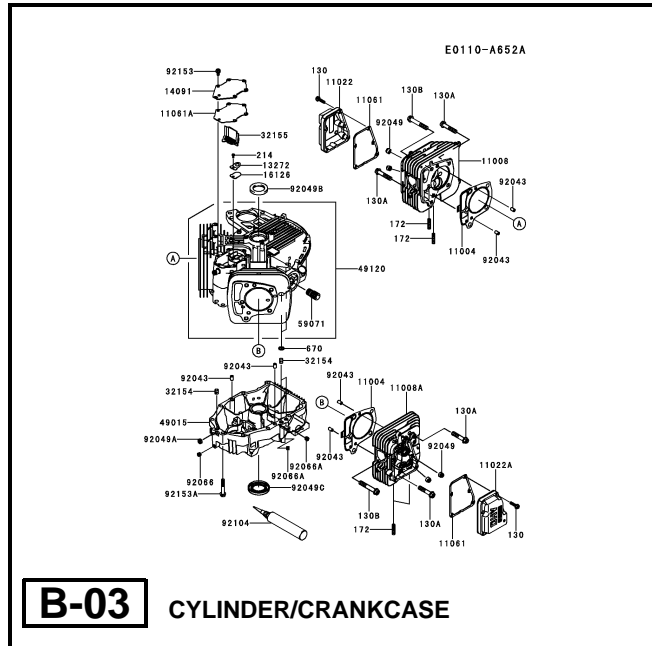
This Code indicates an important change which affects the service parts interchangeability.

3. ABBREVIATIONS

#.....Number	FR.....Front	RH.....Right Hand
&.....And	G.....Gram	RPM.....Revolutions Per Minute
(+).....Plus	HEX.....Hexagonal	RR.....Rear
(-).....Minus	ID=.....Inside Diameter	STD.....Standard
2ND.....Second	IN.....Inch	T.....Teeth
3RD.....Third	L=.....Length	T=.....Thickness
4TH.....Fourth	LH.....Left Hand	U/S.....Under Size
A.....Ampere	LWR.....Lower	UPP.....Upper
AR.....As Required	MM.....Millimeter	V.....Volt
ASSY.....Assembly	O/S.....Over Size	W.....Watt
CNT.....Center	OD=.....Outside Diameter	
COMP.....Complete	REF.....Reference	

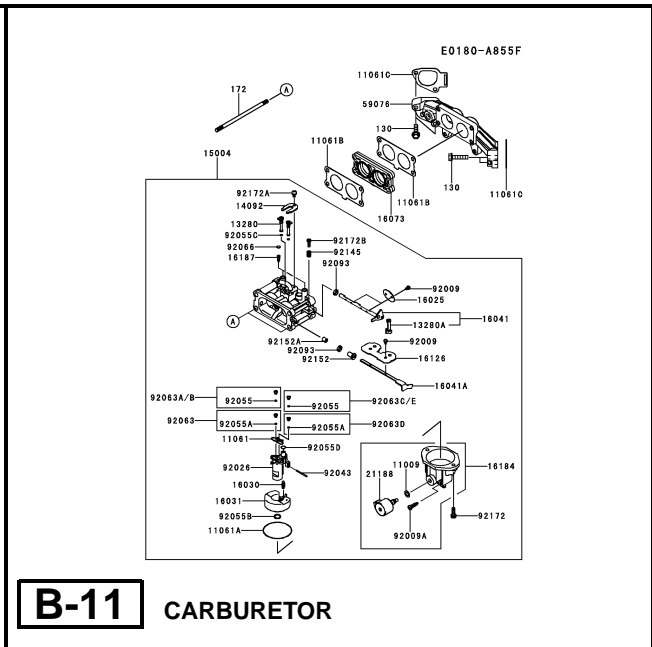
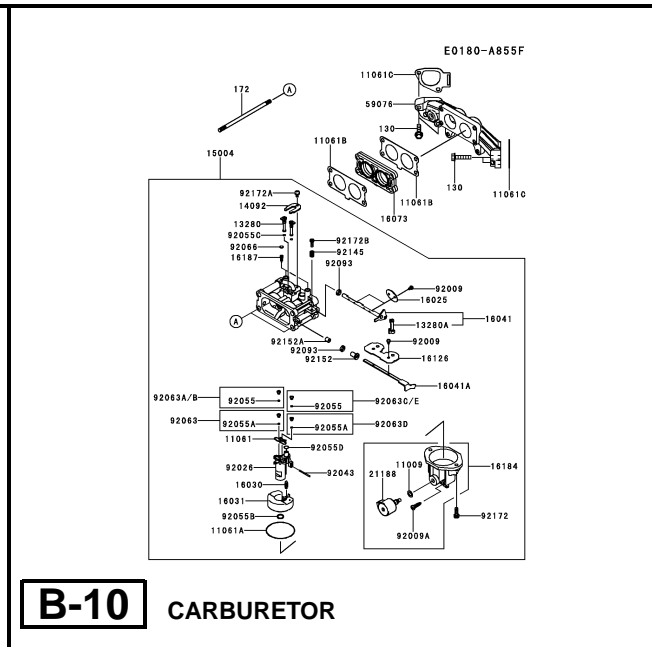
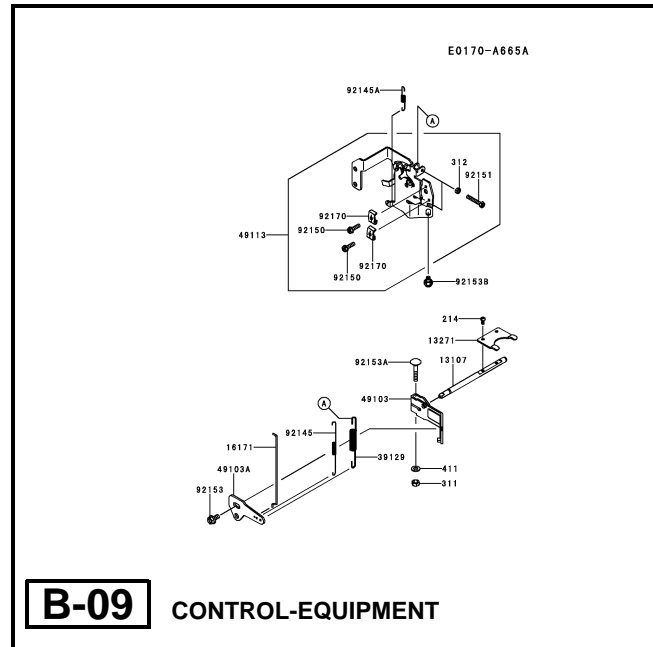
This catalog covers:
FX730V- □ S17

GRID NO. This grid covers:
B-01 PICTORIAL INDEX



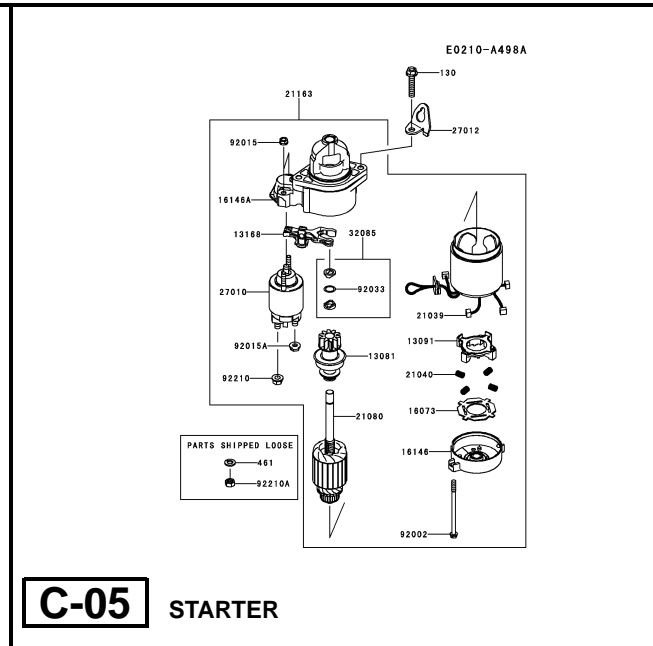
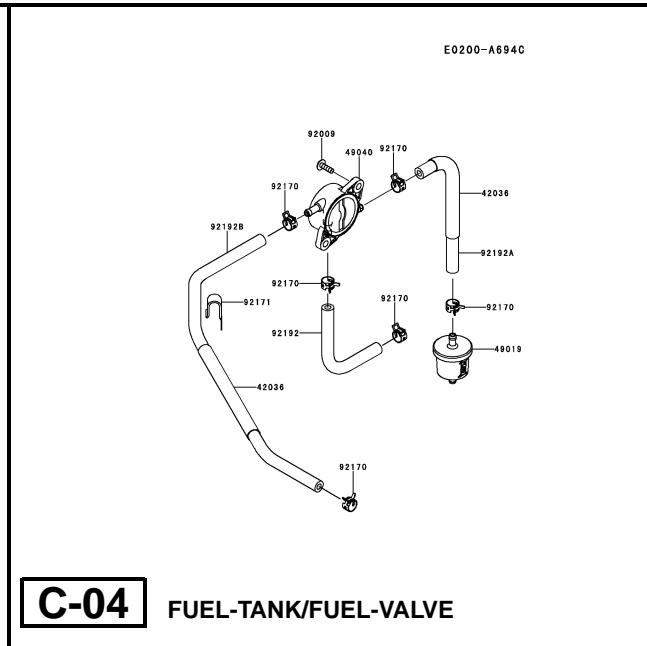
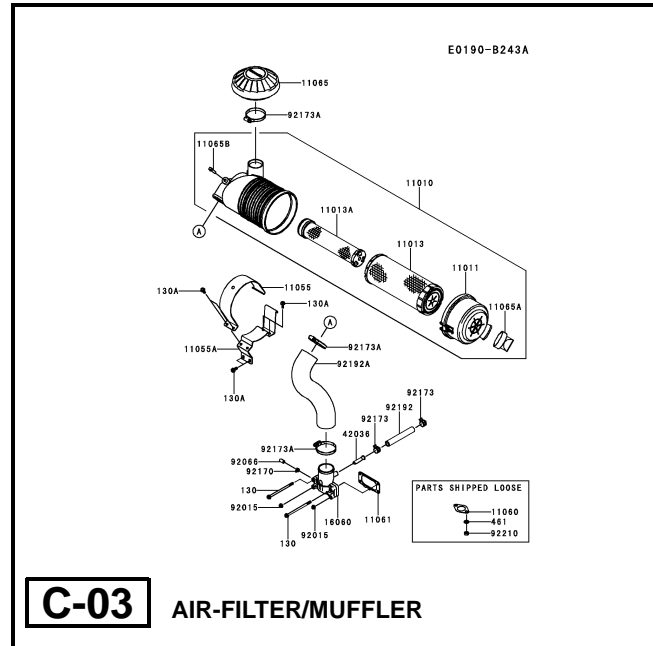
This catalog covers:
FX730V- □ S17

GRID NO. This grid covers:
B-02 PICTORIAL INDEX






This catalog covers:
FX730V- □ S17

GRID NO. This grid covers:
C-01 PICTORIAL INDEX



This catalog covers:
FX730V- □ S17

GRID NO. This grid covers:
D-01 PICTORIAL INDEX

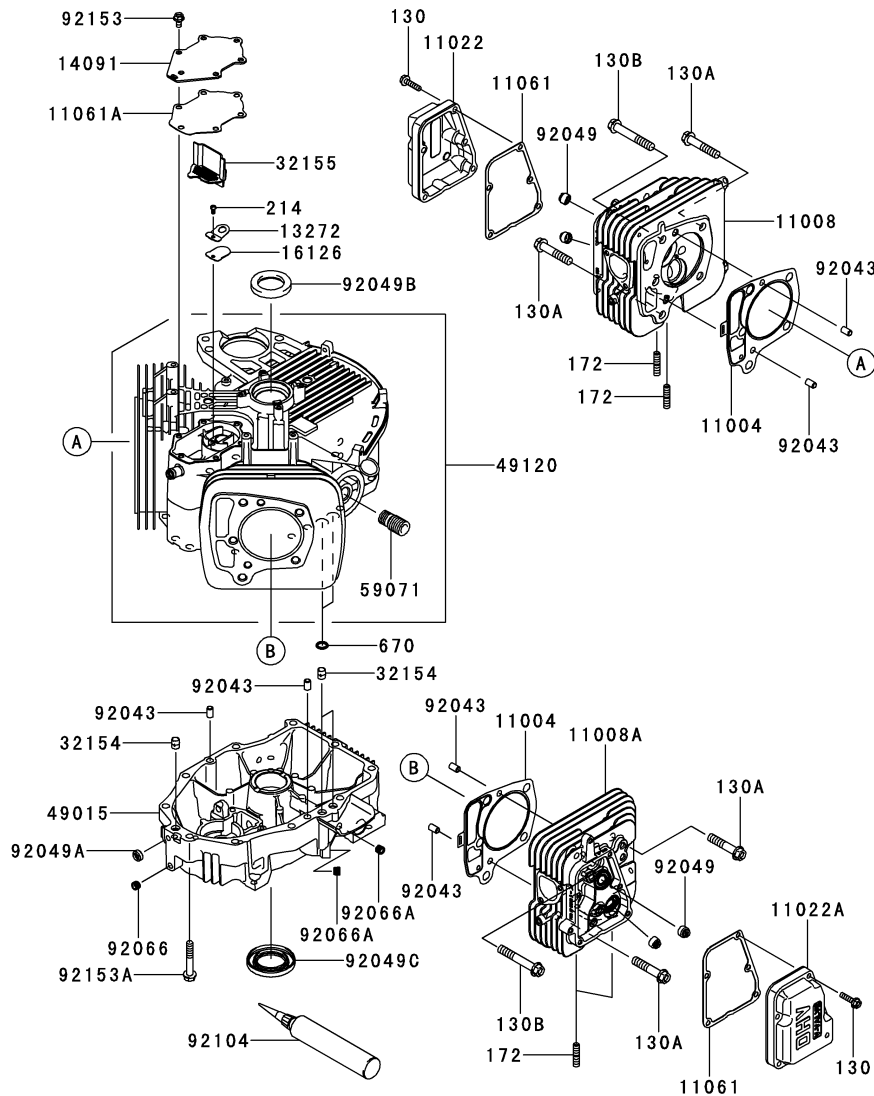
<p>F0290-B510A</p> <p>50014</p>  <p>50033</p>  <p>50070</p>  <p>D-03 LABEL</p>		

This catalog covers:
FX730V- □ S17

GRID NO. This grid covers:

B-03 **CYLINDER/CRANKCASE**

E0110-A652A



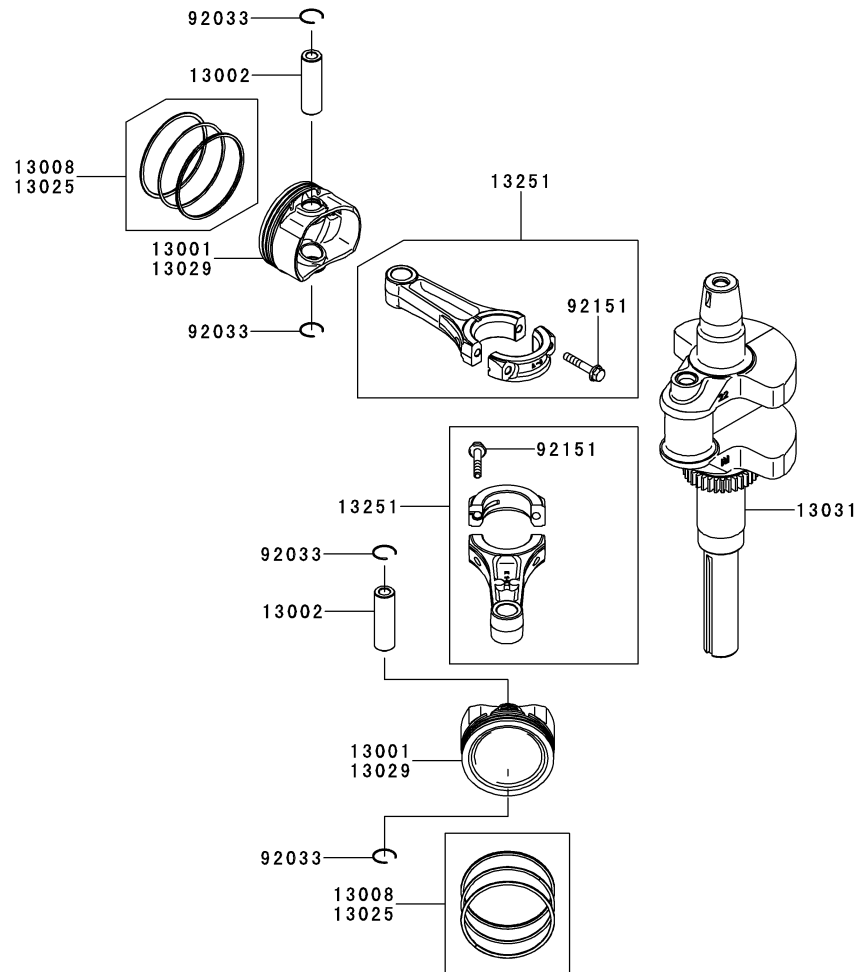
Ref. No.	Part No.	Description	Quantity
11004	11004-7026	GASKET-HEAD	2
11008	11008-7039	HEAD-COMP-CYLINDER,#1	1
11008A	11008-7040	HEAD-COMP-CYLINDER,#2	1
11022	11022-7019	CASE-ROCKER,#1	1
11022A	11022-7020	CASE-ROCKER,#2	1
11061	11061-7083	GASKET,CASE-ROCKER	2
11061A	11061-7094	GASKET,BREATHER	1
13272	13272-7004	PLATE,BREATHER	1
14091	14091-7064	COVER,BREATHER	1
16126	16126-7020	VALVE,BREATHER	1
32154	32154-7019	PIPE	3
32155	32155-7003	PIPE,BREATHER	1
49015	49015-7106	COVER-CRANKCASE	1
49120	49120-7142	CRANKCASE-COMP	1
59071	59071-2079	JOINT	1
92043	92043-1263	PIN	6
92049	92049-7001	SEAL-OIL,RVC2 6X11X10.2	4
92049A	92049-7005	SEAL-OIL,SO 8X14X5 HS	1
92049B	92049-7010	SEAL-OIL,SD 35X48X8 R HS	1
92049C	92049-7028	SEAL-OIL,38X62X8MTCLV	1
92066	92066-7023	PLUG	1
92066A	92066-7026	PLUG	2
92104	92104-7001	GASKET-LIQUID,TB1217H	AR
92153	92153-7043	BOLT,6X12	6
92153A	92153-7054	BOLT,8X50	10
130	130AA0625	BOLT-FLANGED,6X25	10
130A	130CA1050	BOLT-FLANGED,10X50	4
130B	130CA1065	BOLT-FLANGED,10X65	6
172	172BA0818	BOLT-STUD,8X18	4
214	214AA0408	SCREW-PAN+-.4X8	1
670	670B2011	O RING,11MM	2

This catalog covers:
FX730V- □ S17

GRID NO.
B-04

This grid covers:
PISTON/CRANKSHAFT

E0120-A407A



Ref. No.	Part No.	Description	Quantity
13001	13001-7027	PISTON-ENGINE	2
13002	13002-0704	PIN-PISTON	2
13008	13008-7005	RING-SET-PISTON	2
13025	13025-7009	RING-SET-PISTON L,0.5	AR
13029	13029-7010	PISTON-ENGINE L,0.5	AR
13031	13031-7083	CRANKSHAFT-COMP	1
13251	13251-7025	ROD-ASSY-CONNECTING	2
92033	92033-7018	RING-SNAP	4
92151	92151-7017	BOLT,6X35	4

This catalog covers:

FX730V- □ S17

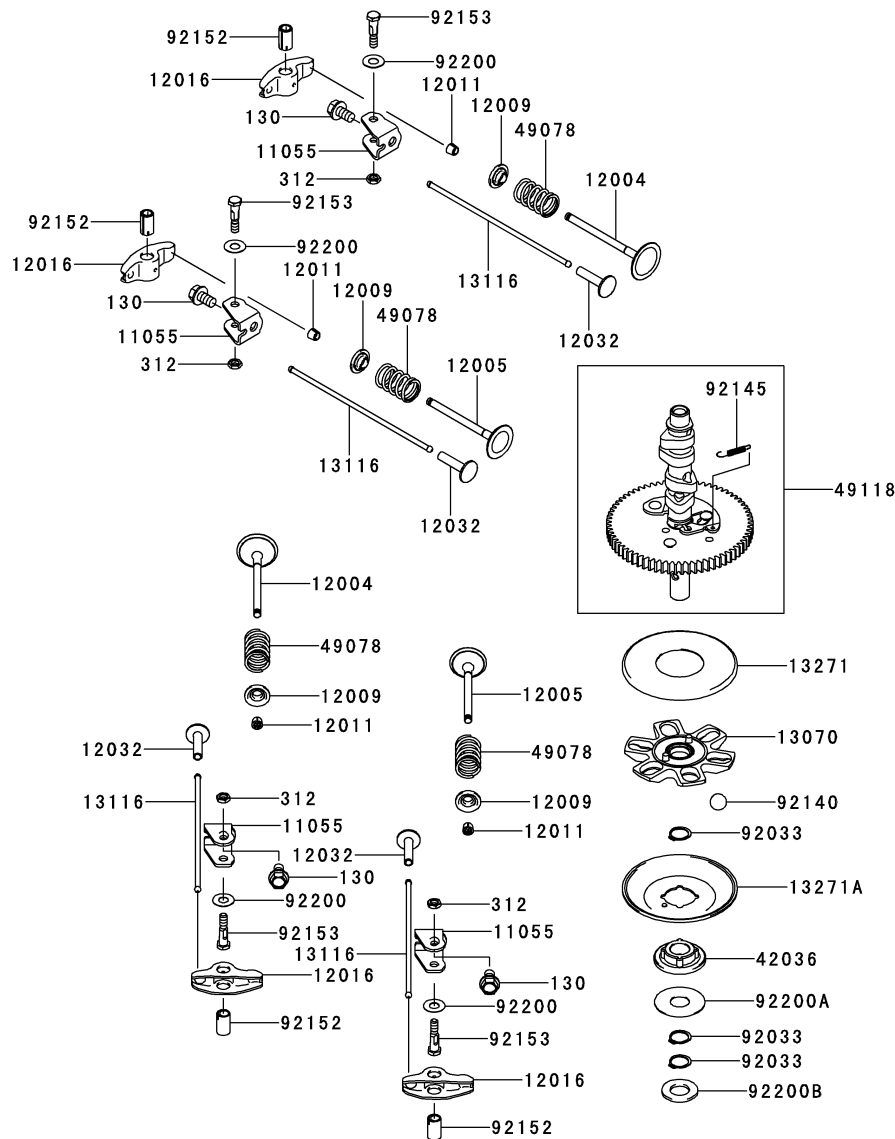
GRID NO.

B-05

This grid covers:

VALVE/CAMSHAFT

E0130-A176A



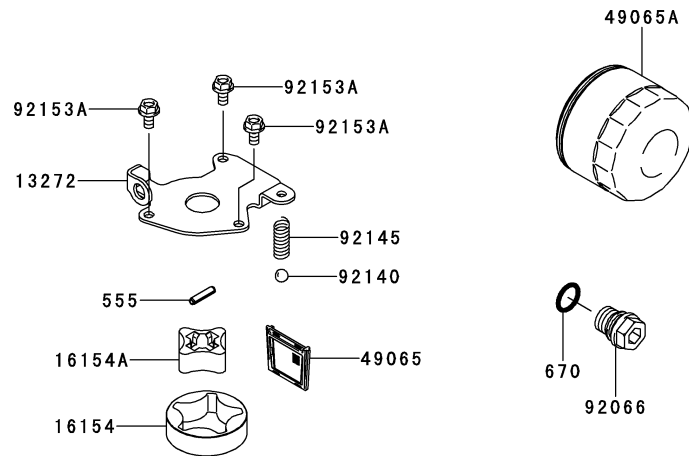
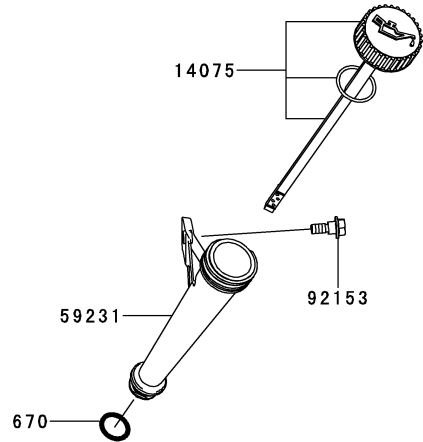
Ref. No.	Part No.	Description	Quantity
		A	
11055	11055-7009	BRACKET	4
12004	12004-7008	VALVE-INTAKE	2
12005	12005-7009	VALVE-EXHAUST	2
12009	12009-7001	RETAINER-VALVE SPRING	4
12011	12011-2056	COLLET	8
12016	12016-2066	ARM-ROCKER	4
12032	12032-7001	TAPPET	4
13070	13070-7017	GUIDE,GOVERNOR	1
13116	13116-7007	ROD-PUSH	4
13271	13271-7007	PLATE	1
13271A	13271-7021	PLATE,GOVERNOR	1
42036	42036-7021	SLEEVE	1
49078	49078-7002	SPRING-ENGINE VALVE,IN	4
49118	49118-7022	CAMSHAFT-COMP	1
92033	92033-7001	RING-SNAP	3
92140	92140-7005	BALL	6
92145	92145-7001	SPRING	1
92152	92152-7022	COLLAR	4
92153	92153-7100	BOLT,6X29.5	4
92200	92200-2151	WASHER,8.1X18X0.5	4
92200A	92200-7009	WASHER,16X42X0.91	1
92200B	92200-7048	WASHER,16.3X30X2.28	1
130	130AA0814	BOLT-FLANGED,8X14	4
312	312AA0600	NUT-HEX,6MM	4

This catalog covers:
FX730V- □ S17

GRID NO.
B-06

This grid covers:
LUBRICATION-EQUIPMENT

E0140-A507A



Ref. No.	Part No.	Description	Quantity
13272	13272-7011	PLATE, ROTOR	1
14075	14075-7013	CAP-ASSY, OIL GAUGE	1
16154	16154-7010	ROTOR-PUMP, OUTER	1
16154A	16154-7011	ROTOR-PUMP, INNER	1
49065	49065-7006	FILTER-OIL	1
49065A	49065-7007	FILTER-OIL	1
59231	59231-7016	FILLER	1
92066	92066-7003	PLUG	1
92140	92140-7003	BALL	1
92145	92145-7002	SPRING	1
92153	92153-7007	BOLT	1
92153A	92153-7043	BOLT, 6X12	3
555	555A0420	PIN-SPRING, 4X20	1
670	670D2016	O RING, 16MM	2

This catalog covers:

FX730V- □ S17

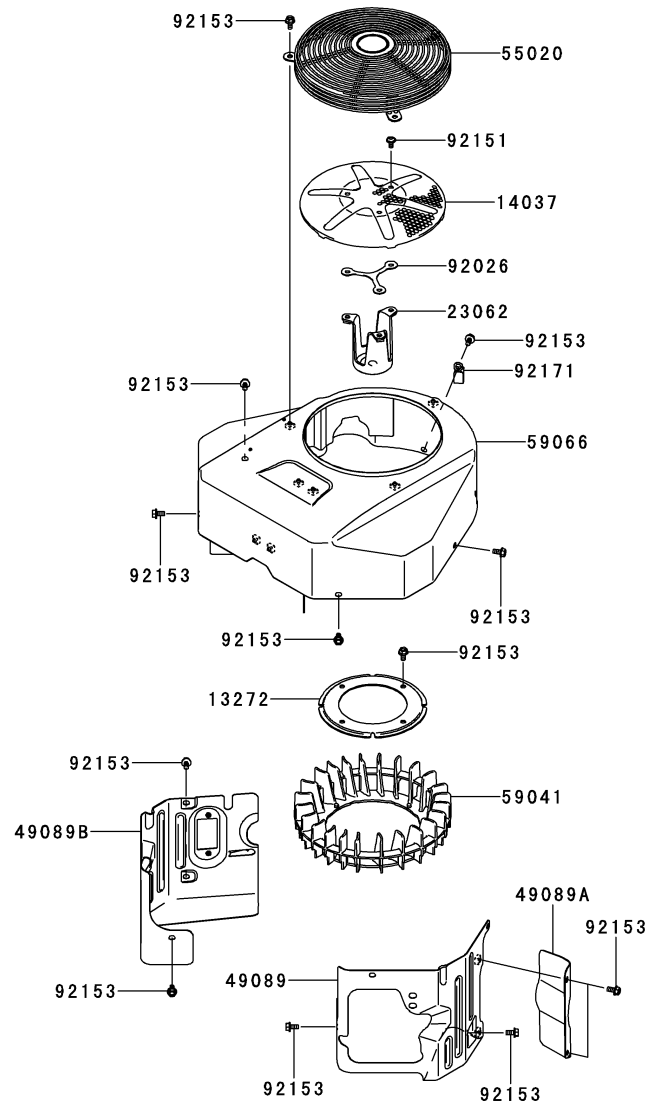
GRID NO.

B-07

This grid covers:

COOLING-EQUIPMENT

E0150-B038A



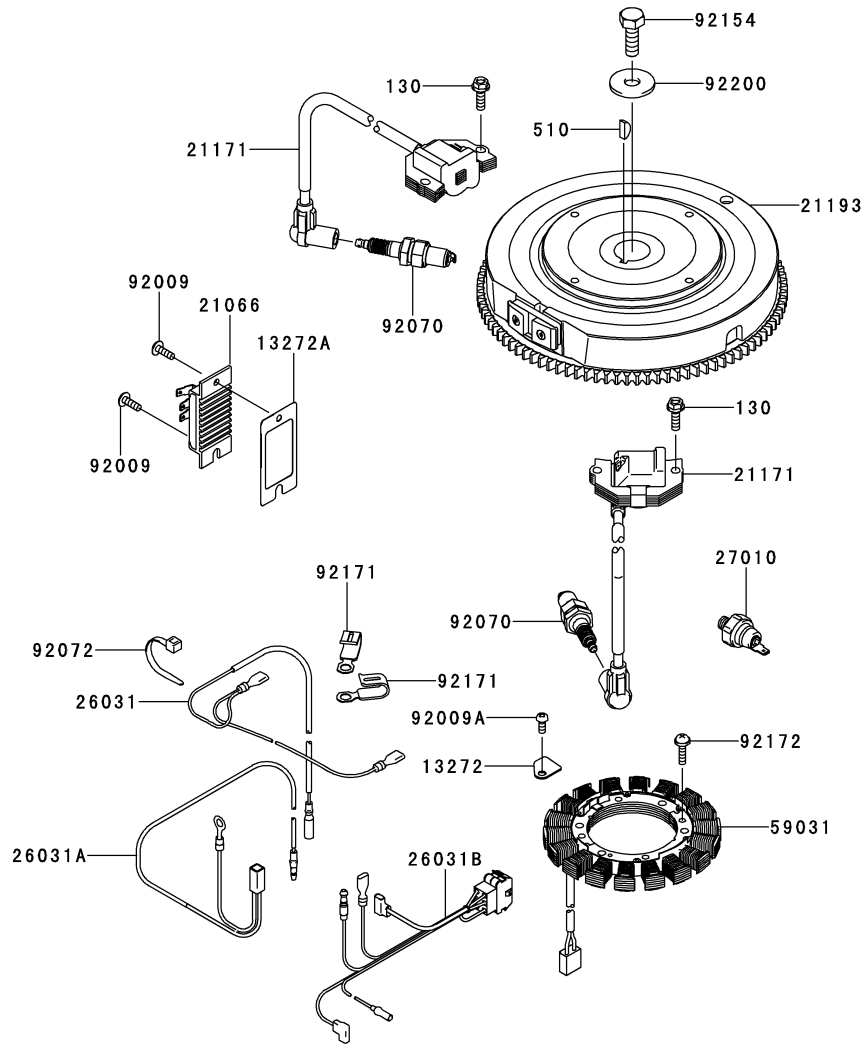
Ref. No.	Part No.	Description	Quantity
			A
13272	13272-7006	PLATE,FAN	1
14037	14037-7008-9H	SCREEN	1
23062	23062-7022	BRACKET-COMP	1
49089	49089-7075-753	SHROUD-ENGINE	1
49089A	49089-7076-753	SHROUD-ENGINE	1
49089B	49089-7090-753	SHROUD-ENGINE	1
55020	55020-7017-9H	GUARD	1
59041	59041-7014	FAN	1
59066	59066-7044-753	HOUSING-FAN	1
92026	92026-7007	SPACER	1
92151	92151-7012	BOLT,6X12	3
92153	92153-7043	BOLT,6X12	18
92171	92171-7008	CLAMP	1

This catalog covers:
FX730V- □ S17

GRID NO.
B-08

This grid covers:
ELECTRIC-EQUIPMENT

E0160-B489A



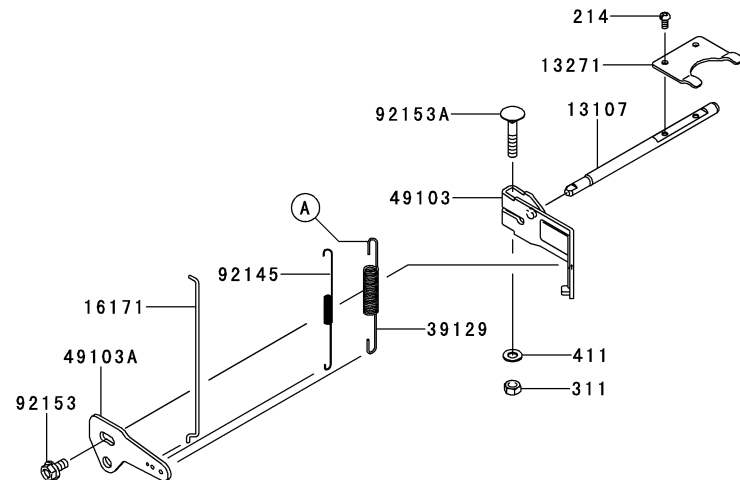
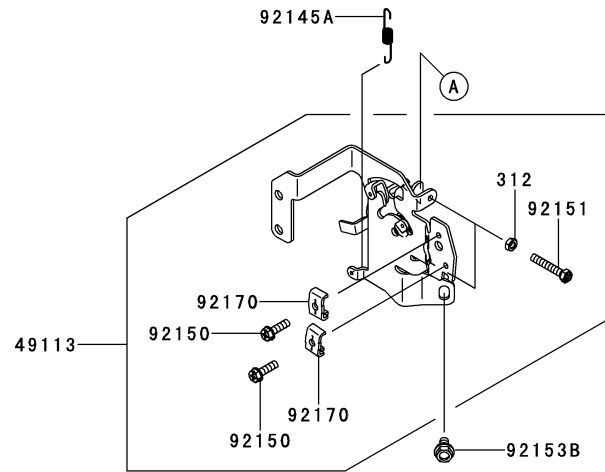
Ref. No.	Part No.	Description	Quantity
13272	13272-7012	PLATE	1
13272A	13272-7015	PLATE,REGULATOR	1
21066	21066-7011	REGULATOR-VOLTAGE	1
21171	21171-7047	COIL-ASSY-IGNITION	2
21193	21193-7040	FLYWHEEL-ASSY	1
26031	26031-7040	HARNESS	1
26031A	26031-7041	HARNESS	1
26031B	26031-7046	HARNESS	1
27010	27010-7002	SWITCH	1
59031	59031-7020	COIL-CHARGING	1
92009	92009-2303	SCREW	2
92009A	92009-2308	SCREW	1
92070	92070-7004	PLUG-SPARK,BPR4ES(NGK),SOLID	2
92072	92072-7003	BAND	1
92154	92154-7003	BOLT,12X30	1
92171	92171-7008	CLAMP	2
92172	92172-7018	SCREW,5X20	4
92200	92200-7002	WASHER	1
130	130AA0620	BOLT-FLANGED,6X20	4
510	510A5100	KEY-WOODRUFF	1

This catalog covers:
FX730V- □ S17

GRID NO.
B-09

This grid covers:
CONTROL-EQUIPMENT

E0170-A665A

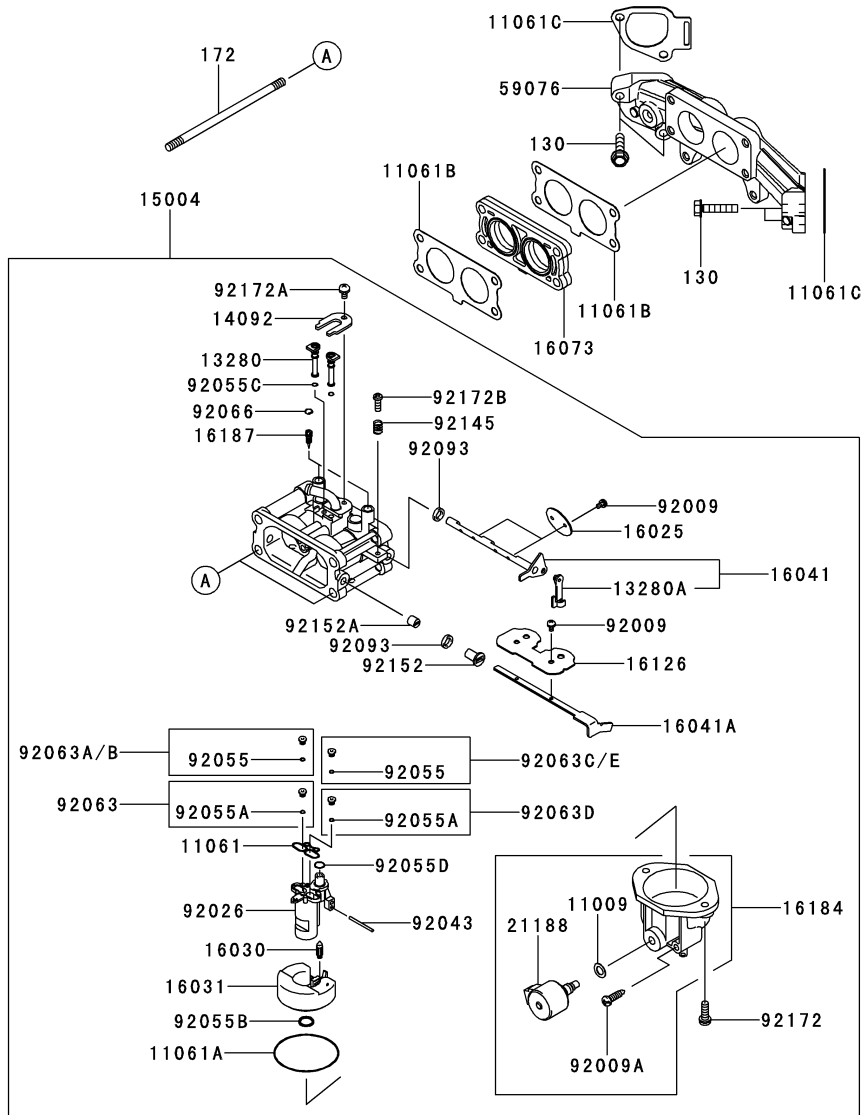


Ref. No.	Part No.	Description	Quantity
			A
13107	13107-7047	SHAFT,GOVERNOR	1
13271	13271-7038	PLATE	1
16171	16171-7021	LINK	1
39129	39129-7030	SPRING-GOVERNOR	1
49103	49103-7014	ARM-GOVERNOR	1
49103A	49103-7015	ARM-GOVERNOR	1
49113	49113-7049	PANEL-COMP-CONTROL	1
92145	92145-7057	SPRING	1
92145A	92145-7058	SPRING	1
92150	92150-2182	BOLT,5X18	2
92151	92151-7014	BOLT,5X30	2
92153	92153-0009	BOLT,6X12	1
92153A	92153-7033	BOLT,6X35	1
92153B	92153-7043	BOLT,6X12	1
92170	92170-7001	CLAMP	2
214	214AA0408	SCREW-PAN+-.4X8	2
311	311AA0600	NUT-HEX,6MM	1
312	312AA0500	NUT-HEX,5MM	2
411	411AA0600	WASHER-PLAIN,6MM	1

This catalog covers:
FX730V- □ S17

GRID NO. This grid covers:
B-10 CARBURETOR

E0180-A855F

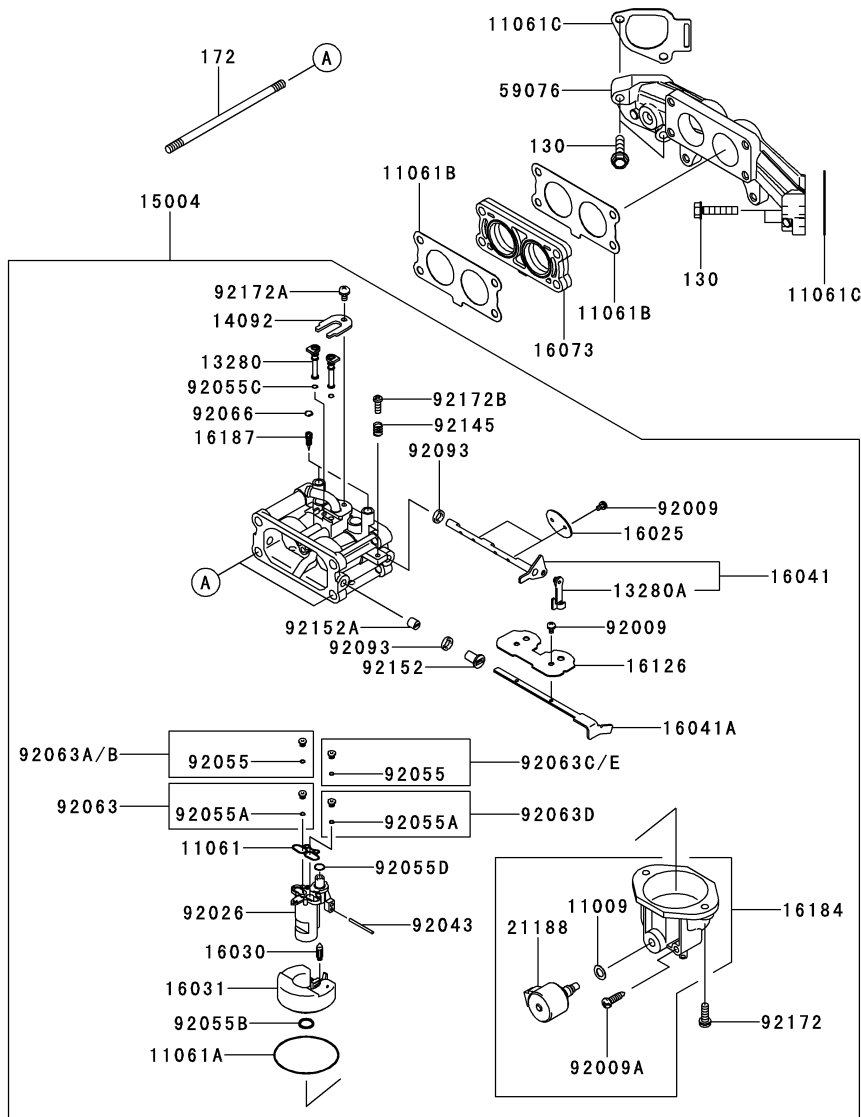


Ref. No.	Part No.	Description	Quantity
			A
11009	11009-2056	GASKET	1
11061	11061-7037	GASKET	1
11061A	11061-7038	GASKET	1
11061B	11061-7092	GASKET,CARBURETOR/MANIFOLD	2
11061C	11061-7093	GASKET,MANIFOLD	2
13280	13280-7003	HOLDER	2
13280A	13280-7004	HOLDER	1
14092	14092-7001	COVER	1
15004	15004-7082	CARBURETOR-ASSY	1
16025	16025-7010	VALVE-THROTTLE	2
16030	16030-7004	VALVE-FLOAT	1
16031	16031-7005	FLOAT	1
16041	16041-7052	SHAFT-CARBURETOR,THROTTLE	1
16041A	16041-7053	SHAFT-CARBURETOR,CHOKE	1
16073	16073-7012	INSULATOR	1
16126	16126-7022	VALVE	1
16184	16184-7023	CHAMBER-ASSY-FLOAT	1
16187	16187-7005	NEEDLE-JET	2
21188	21188-7003	SOLENOID	1
59076	59076-7018	MANIFOLD-INTAKE	1
92009	92009-2049	SCREW	6
92009A	92009-7006	SCREW,DRAIN	1
92026	92026-7011	SPACER	1
92043	92043-7016	PIN,FLOAT	1
92055	92055-7013	RING-O	AR
92055A	92055-7013	RING-O	2
92055B	92055-7016	RING-O	1
92055C	92055-7023	RING-O	2
92055D	92055-7024	RING-O	1
92063	92063-7069	JET-MAIN,#108	1
92063A	92063-7077	JET-MAIN,#105,3280FT	AR
92063B	92063-7078	JET-MAIN,#102,6560FT	AR
92063C	92063-7082	JET-MAIN,#104,6560FT	AR
92063D	92063-7150	JET-MAIN,#110	1
92063E	92063-7152	JET-MAIN,#107,3280FT	AR
92066	92066-7009	PLUG,EXPANSION	2
92093	92093-7002	SEAL,D=6.9	2
92145	92145-7039	SPRING	1
92152	92152-7018	COLLAR	1
92152A	92152-7019	COLLAR	1

This catalog covers:
FX730V- □ S17

GRID NO. This grid covers:
B-11 CARBURETOR

E0180-A855F



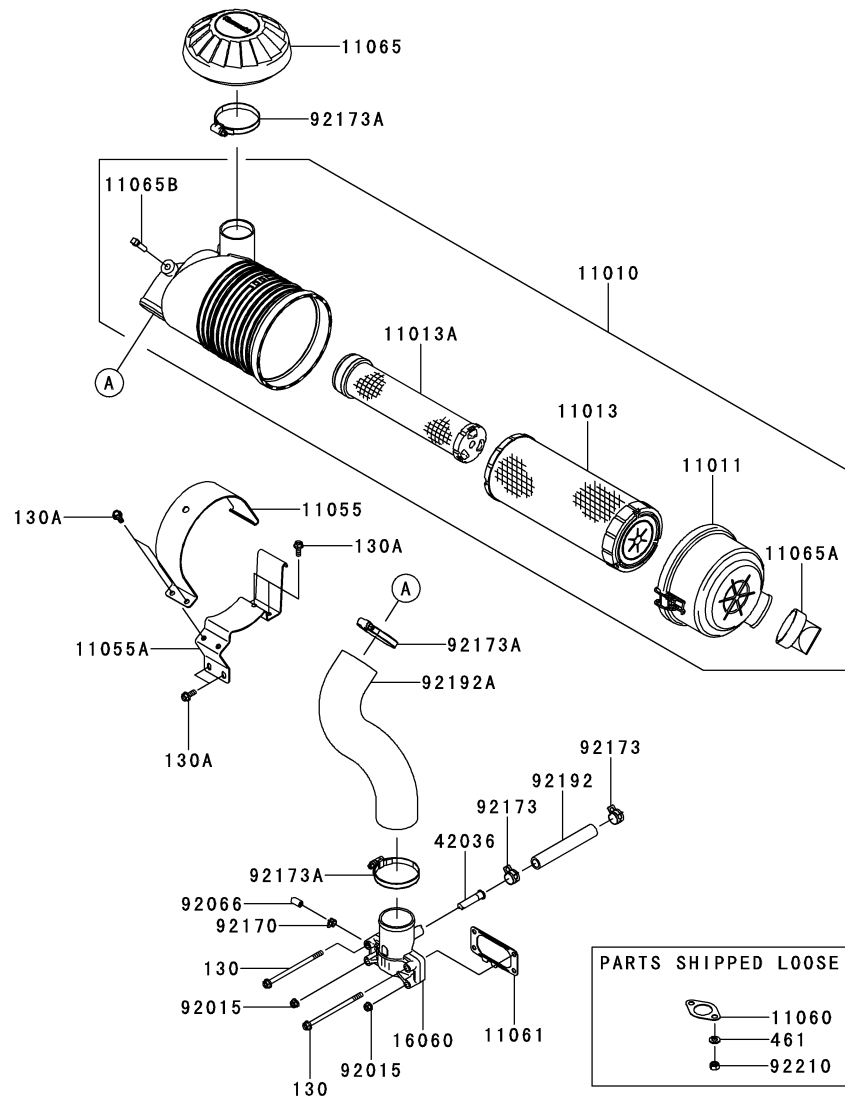
Ref. No.	Part No.	Description	Quantity
92172	92172-7005	SCREW,M5	2
92172A	92172-7006	SCREW,M4	1
92172B	92172-7039	SCREW,THROTTLE ADJUST	1
130	130AA0630	BOLT-FLANGED,6X30	4
172	172BA06115	BOLT-STUD,6X115	2

This catalog covers:
FX730V- □ S17

GRID NO.
C-03

This grid covers:
AIR-FILTER/MUFFLER

E0190-B243A



Ref. No.	Part No.	Description	Quantity
		A	
11010	11010-7028	FILTER-ASSY-AIR	1
11011	11011-7056	CASE-AIR FILTER	1
11013	11013-7044	ELEMENT-AIR FILTER	1
11013A	11013-7045	ELEMENT-AIR FILTER	1
11055	11055-7011-9H	BRACKET	1
11055A	11055-7012-9H	BRACKET	1
11060	11060-7016	GASKET,MUFFLER	2
11061	11061-7043	GASKET	1
11065	11065-7025	CAP	1
11065A	11065-7031	CAP	1
11065B	11065-7032	CAP	1
16060	16060-7040	PIPE-INTAKE	1
42036	42036-7022	SLEEVE,BREATHER	1
92015	92015-1367	NUT	2
92066	92066-0095	PLUG	1
92170	92170-2042	CLAMP	1
92173	92173-7003	CLAMP	2
92173A	92173-7010	CLAMP	3
92192	92192-7146	TUBE,12.6X18.6X118	1
92192A	92192-7147	TUBE	1
92210	92210-7027	NUT,M8	4
130	130AA06110	BOLT-FLANGED,6X110	2
130A	130AA0616	BOLT-FLANGED,6X16	6
461	461DA0800	WASHER-SPRING,8MM	4

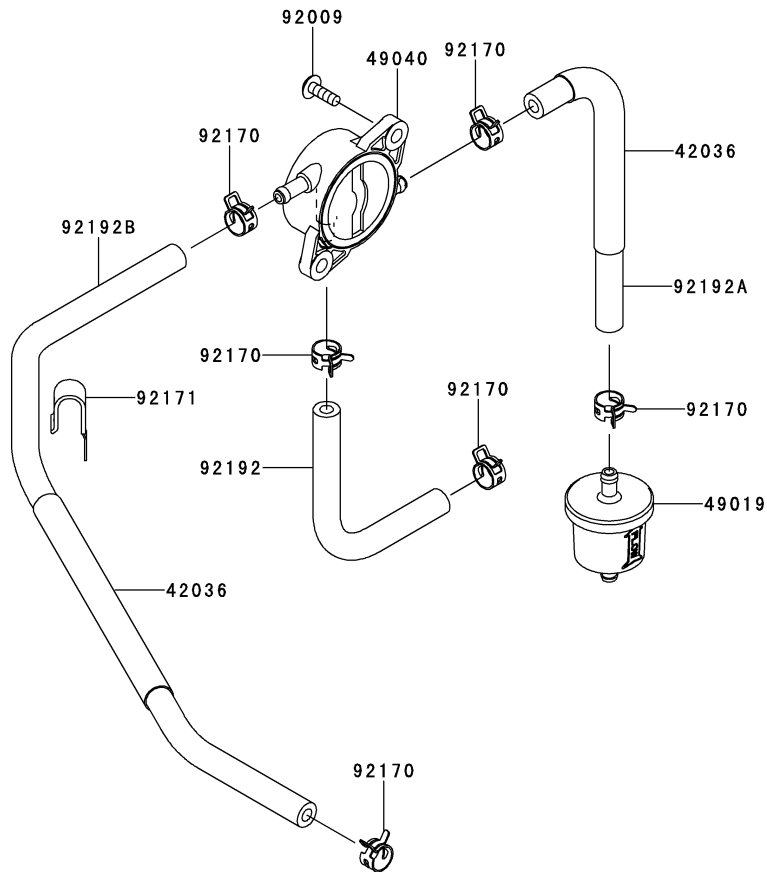
This catalog covers:
FX730V- □ S17

GRID NO.
C-04

This grid covers:
FUEL-TANK/FUEL-VALVE

E0200-A694C

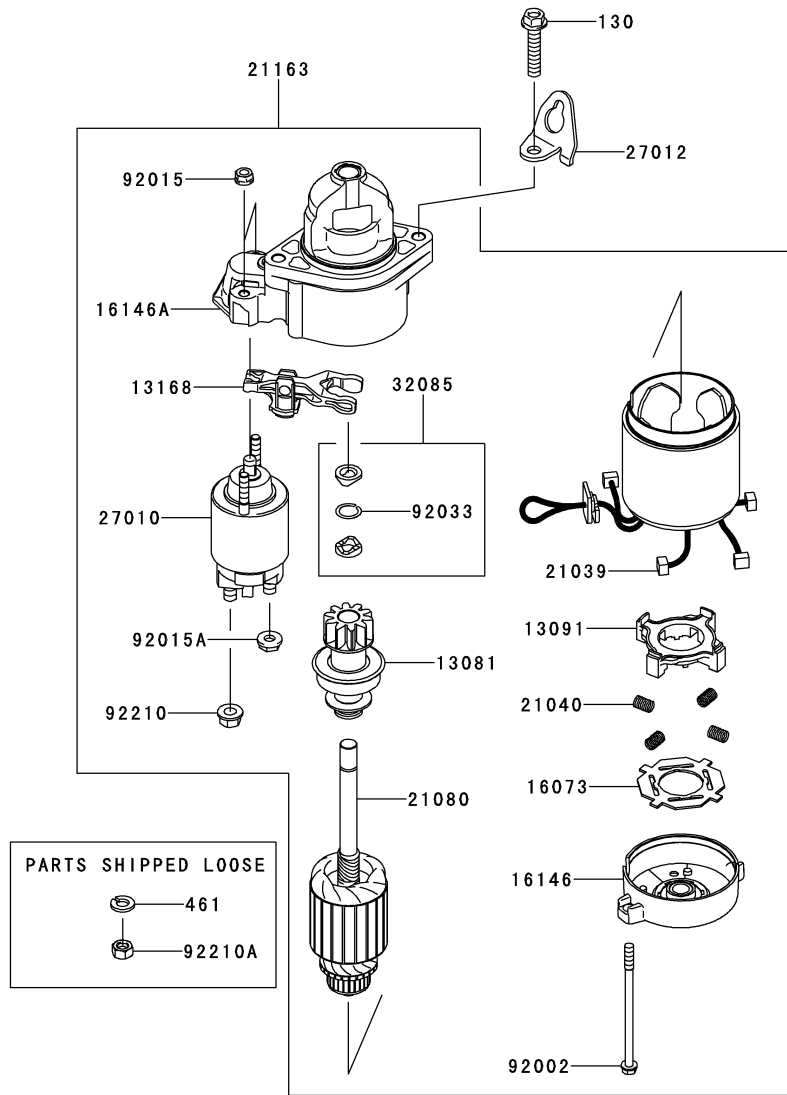
Ref. No.	Part No.	Description	Quantity
42036	42036-7015	SLEEVE	2
49019	49019-7005	FILTER-FUEL	1
49040	49040-7008	PUMP-FUEL	1
92009	92009-2303	SCREW	2
92170	92170-2009	CLAMP	6
92171	92171-7008	CLAMP	1
92192	92192-7148	TUBE,6.4X12.7X150	1
92192A	92192-7172	TUBE,6.35X12.7X185	1
92192B	92192-7188	TUBE,6.35X12.7X390	1



This catalog covers:
FX730V- □ S17

GRID NO. This grid covers:
C-05 STARTER

E0210-A498A



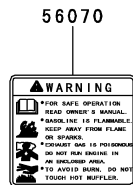
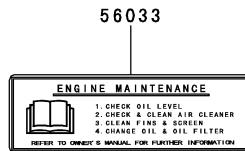
Ref. No.	Part No.	Description	Quantity
13081	13081-7002	CLUTCH-ASSY	1
13091	13091-2068	HOLDER,BRUSH	1
13168	13168-2148	LEVER,SHIFT	1
16073	16073-2098	INSULATOR	1
16146	16146-2077	COVER-ASSY	1
16146A	16146-7020	COVER-ASSY	1
21039	21039-2059	BRUSH	4
21040	21040-2052	SPRING-BRUSH	4
21080	21080-2058	ARMATURE	1
21163	21163-7023	STARTER-ELECTRIC	1
27010	27010-7005	SWITCH	1
27012	27012-7008	HOOK	1
32085	32085-2097	STOPPER	1
92002	92002-2277	BOLT	2
92015	92015-2146	NUT	2
92015A	92015-2147	NUT	1
92033	92033-2081	RING-SNAP	1
92210	92210-2085	NUT	1
92210A	92210-7027	NUT,M8	1
130	130AA0840	BOLT-FLANGED,8X40	2
461	461DA0800	WASHER-SPRING,8MM	1

This catalog covers:
FX730V- □ S17

GRID NO. This grid covers:
D-03 LABEL

F0290-B510A

Ref. No.	Part No.	Description	Quantity
56014	56014-7006	EMBLEM	1
56033	56033-7001	LABEL-MANUAL	1
56070	56070-7001	LABEL-WARNING	1



This catalog covers:

FX730V- **S17**

GRID NO.

This grid covers:

H-09

PART NAME INDEX

AIR-FILTER/MUFFLER.....	C-03
CARBURETOR.....	B-10
CARBURETOR.....	B-11
CONTROL-EQUIPMENT.....	B-09
COOLING-EQUIPMENT.....	B-07
CYLINDER/CRANKCASE.....	B-03
ELECTRIC-EQUIPMENT.....	B-08
FUEL-TANK/FUEL-VALVE.....	C-04
LABEL.....	D-03
LUBRICATION-EQUIPMENT.....	B-06
PISTON/CRANKSHAFT.....	B-04
STARTER.....	C-05
VALVE/CAMSHAFT.....	B-05

This catalog covers:

FX730V- □ S17

GRID NO.

H-10

This grid covers:

NUMERICAL PARTS INDEX

Part No.	Grid No.	Part No.	Grid No.	Part No.	Grid No.	Part No.	Grid No.	Part No.	Grid No.
11004-7026.....	B-03	13280-7003.....	B-10	49065-7007.....	B-06	92070-7004.....	B-08		
11008-7039.....	B-03	13280-7004.....	B-10	49078-7002.....	B-05	92072-7003.....	B-08		
11008-7040.....	B-03	14037-7008-9H.....	B-07	49089-7075-753.....	B-07	92093-7002.....	B-10		
11009-2056.....	B-10	14075-7013.....	B-06	49089-7076-753.....	B-07	92104-7001.....	B-03		
11010-7028.....	C-03	14091-7064.....	B-03	49089-7090-753.....	B-07	92140-7003.....	B-06		
11011-7056.....	C-03	14092-7001.....	B-10	49103-7014.....	B-09	92140-7005.....	B-05		
11013-7044.....	C-03	15004-7082.....	B-10	49103-7015.....	B-09	92145-7001.....	B-05		
11013-7045.....	C-03	16025-7010.....	B-10	49113-7049.....	B-09	92145-7002.....	B-06		
11022-7019.....	B-03	16030-7004.....	B-10	49118-7022.....	B-05	92145-7039.....	B-10		
11022-7020.....	B-03	16031-7005.....	B-10	49120-7142.....	B-03	92145-7057.....	B-09		
11055-7009.....	B-05	16041-7052.....	B-10	510A5100.....	B-08	92145-7058.....	B-09		
11055-7011-9H.....	C-03	16041-7053.....	B-10	55020-7017-9H.....	B-07	92150-2182.....	B-09		
11055-7012-9H.....	C-03	16060-7040.....	C-03	555A0420.....	B-06	92151-7012.....	B-07		
11060-7016.....	C-03	16073-2098.....	C-05	56014-7006.....	D-03	92151-7014.....	B-09		
11061-7037.....	B-10	16073-7012.....	B-10	56033-7001.....	D-03	92151-7017.....	B-04		
11061-7038.....	B-10	16126-7020.....	B-03	56070-7001.....	D-03	92152-7018.....	B-10		
11061-7043.....	C-03	16126-7022.....	B-10	59031-7020.....	B-08	92152-7019.....	B-10		
11061-7083.....	B-03	16146-2077.....	C-05	59041-7014.....	B-07	92152-7022.....	B-05		
11061-7092.....	B-10	16146-7020.....	C-05	59066-7044-753.....	B-07	92153-0009.....	B-09		
11061-7093.....	B-10	16154-7010.....	B-06	59071-2079.....	B-03	92153-7007.....	B-06		
11061-7094.....	B-03	16154-7011.....	B-06	59076-7018.....	B-10	92153-7033.....	B-09		
11065-7025.....	C-03	16171-7021.....	B-09	59231-7016.....	B-06	92153-7043.....	B-03		
11065-7031.....	C-03	16184-7023.....	B-10	670B2011.....	B-03	92153-7043.....	B-06		
11065-7032.....	C-03	16187-7005.....	B-10	670D2016.....	B-06	92153-7043.....	B-07		
12004-7008.....	B-05	172BA06115.....	B-11	92002-2277.....	C-05	92153-7043.....	B-09		
12005-7009.....	B-05	172BA0818.....	B-03	92009-2049.....	B-10	92153-7054.....	B-03		
12009-7001.....	B-05	21039-2059.....	C-05	92009-2303.....	B-08	92153-7100.....	B-05		
12011-2056.....	B-05	21040-2052.....	C-05	92009-2303.....	C-04	92154-7003.....	B-08		
12016-2066.....	B-05	21066-7011.....	B-08	92009-2308.....	B-08	92170-2009.....	C-04		
12032-7001.....	B-05	21080-2058.....	C-05	92009-7006.....	B-10	92170-2042.....	C-03		
13001-7027.....	B-04	21163-7023.....	C-05	92015-1367.....	C-03	92170-7001.....	B-09		
13002-0704.....	B-04	21171-7047.....	B-08	92015-2146.....	C-05	92171-7008.....	B-07		
13008-7005.....	B-04	21188-7003.....	B-10	92015-2147.....	C-05	92171-7008.....	B-08		
13025-7009.....	B-04	21193-7040.....	B-08	92026-7007.....	B-07	92171-7008.....	C-04		
13029-7010.....	B-04	214AA0408.....	B-03	92026-7011.....	B-10	92172-7005.....	B-11		
13031-7083.....	B-04	214AA0408.....	B-09	92033-2081.....	C-05	92172-7006.....	B-11		
13070-7017.....	B-05	23062-7022.....	B-07	92033-7001.....	B-05	92172-7018.....	B-08		
13081-7002.....	C-05	26031-7040.....	B-08	92033-7018.....	B-04	92172-7039.....	B-11		
13091-2068.....	C-05	26031-7041.....	B-08	92043-1263.....	B-03	92173-7003.....	C-03		
130AA06110.....	C-03	26031-7046.....	B-08	92043-7016.....	B-10	92173-7010.....	C-03		
130AA0616.....	C-03	27010-7002.....	B-08	92049-7001.....	B-03	92192-7146.....	C-03		
130AA0620.....	B-08	27010-7005.....	C-05	92049-7005.....	B-03	92192-7147.....	C-03		
130AA0625.....	B-03	27012-7008.....	C-05	92049-7010.....	B-03	92192-7148.....	C-04		
130AA0630.....	B-11	311AA0600.....	B-09	92049-7028.....	B-03	92192-7172.....	C-04		
130AA0814.....	B-05	312AA0500.....	B-09	92055-7013.....	B-10	92192-7188.....	C-04		
130AA0840.....	C-05	312AA0600.....	B-05	92055-7013.....	B-10	92200-2151.....	B-05		
130CA1050.....	B-03	32085-2097.....	C-05	92055-7016.....	B-10	92200-7002.....	B-08		
130CA1065.....	B-03	32154-7019.....	B-03	92055-7023.....	B-10	92200-7009.....	B-05		
13107-7047.....	B-09	32155-7003.....	B-03	92055-7024.....	B-10	92200-7048.....	B-05		
13116-7007.....	B-05	39129-7030.....	B-09	92063-7069.....	B-10	92210-2085.....	C-05		
13168-2148.....	C-05	411AA0600.....	B-09	92063-7077.....	B-10	92210-7027.....	C-03		
13251-7025.....	B-04	42036-7015.....	C-04	92063-7078.....	B-10	92210-7027.....	C-05		
13271-7007.....	B-05	42036-7021.....	B-05	92063-7082.....	B-10				
13271-7021.....	B-05	42036-7022.....	C-03	92063-7150.....	B-10				
13271-7038.....	B-09	461DA0800.....	C-03	92063-7152.....	B-10				
13272-7004.....	B-03	461DA0800.....	C-05	92066-0095.....	C-03				
13272-7006.....	B-07	49015-7106.....	B-03	92066-7003.....	B-06				
13272-7011.....	B-06	49019-7005.....	C-04	92066-7009.....	B-10				
13272-7012.....	B-08	49040-7008.....	C-04	92066-7023.....	B-03				
13272-7015.....	B-08	49065-7006.....	B-06	92066-7026.....	B-03				