



# Parts Manual

Mfg. No: 5901990  
400S Series w/ 48" Mower Deck  
(400SBV2348SRDCE)



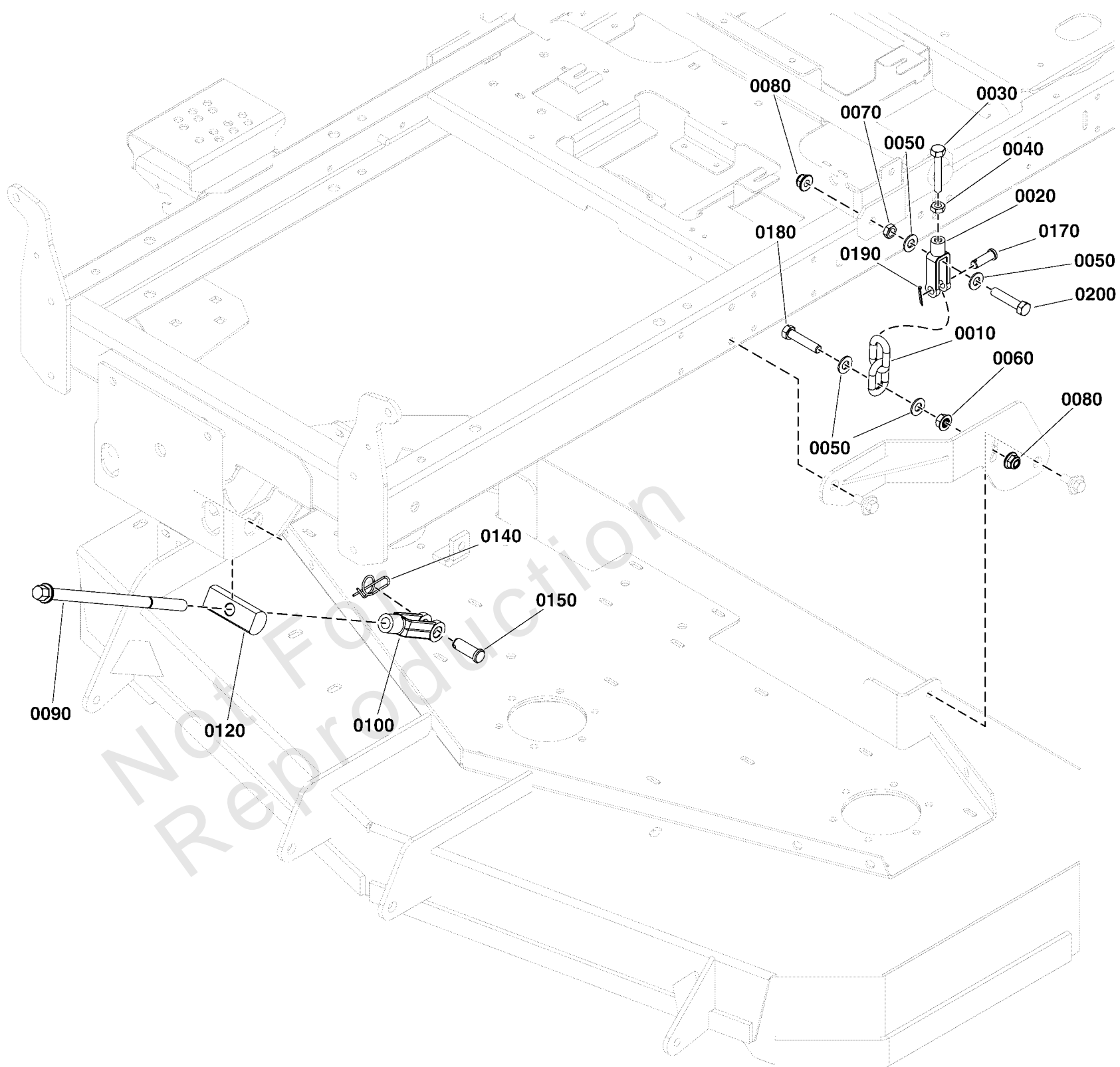


<b>Model Components</b>	<b>Page</b>
48" Mower Deck Group - Deck Hangers.....	4
48" Mower Deck Group - Housing, Covers, Spindles, & Blades.....	6
48" Mower Deck Group - Pulleys, Belt & Idler Arm.....	8
48" Mower Deck Group - Rollers.....	10
CE Guarding Group.....	12
Decal Group - Brand & Model (Export Models).....	14
Decal Group - Safety & Operation (Export) S/N: 4000034138 & Below.....	16
Decal Group - Safety & Operation (Export) S/N: 4000034139 & Above.....	18
Deck Lift Group.....	20
Electrical Group (Export Models).....	22
Electrical Schematic - Charging Circuit - B&S 44C777.....	24
Electrical Schematic - Cranking Circuit - B&S 44C777.....	26
Electrical Schematic - Ign. Grounding Circuit/Op. Pres - B&S 44C777.....	28
Electrical Schematic - PTO Clutch Circuit - B&S 44C777.....	30
Engine & PTO Group - Briggs & Stratton 44C777-0005-G1.....	32
Evap Group - Briggs & Stratton.....	34
Fender Group.....	36
Fuel Tank and Mount Group S/N: 2018115601 and Below.....	38
Fuel Tank and Mount Group S/N: 2018115602 and Above.....	40
Hydraulic Group - Export - S/N: 4000034138 & Below.....	42
Hydraulic Group - Export - S/N: 4000034139 & Above.....	44
Instrument Control Panel Group (Export Models).....	46
Main Frame & Front Suspension Group.....	48
Motion Control Group (Export Models).....	50
Parking Brake Group.....	54
Rear Bumper Group.....	56
Rear Suspension Group.....	58
Seat Mount & Floor Group S/N: 4000034138 & Below.....	60
Seat Mount & Floor Group S/N: 4000034139 to 4000875836.....	62
Seat Mount & Floor Group S/N: 4000875837 and Above.....	64
Spindle SERVICE Parts.....	66
Transaxle Drive Group S/N: 2017940001 & Above.....	68
Wheel and Tire Group.....	70
Torque Specification Chart.....	72

# 48" Mower Deck Group - Deck Hangers

Note: Unless noted otherwise, use the standard torque specifications

Mfg. No: 5901990



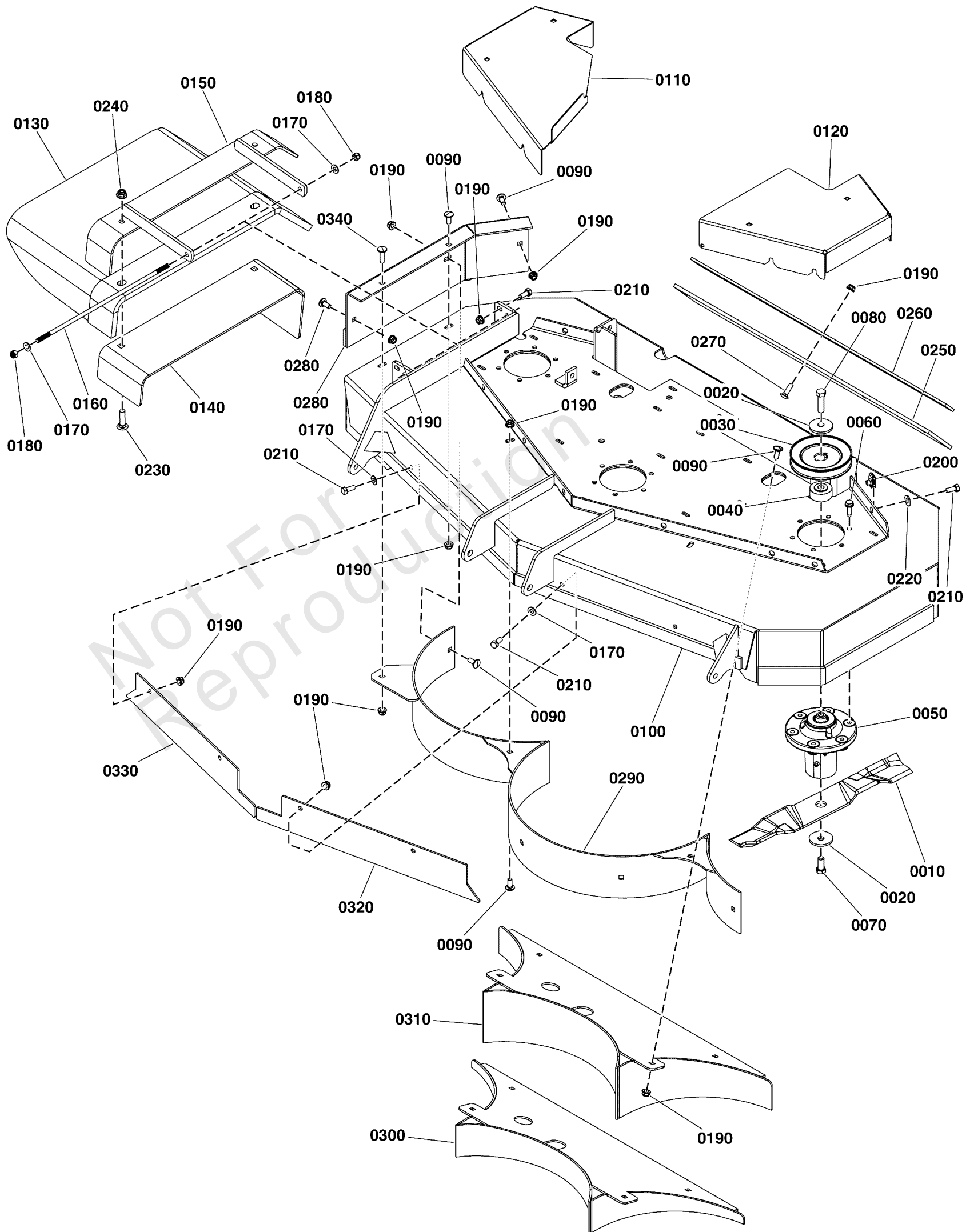
## 48" Mower Deck Group - Deck Hangers

REF NO	PART NO	QTY	DESCRIPTION
0010	5050878X2	2	HANGER, FRONT DECK - 2 LINK
0020	5100375	2	CLEVIS, 5/16-18, 3/8 PIN HOLE, CLR ZINC
0030	5025055X12	2	BOLT- 5/16-18 X 1-1/2 GD5 TFL
0040	5025388	2	NUT, 5/16-18 HEX JAM
0050	5025156	8	WASHER, 3/8 SAE
0060	5025128	2	NUT, 3/8-16 Hex Large Serrated Flange
0070	5025084	2	NUT, 3/8-16 HEX JAM
0080	5025394	4	NUT, 3/8 - 16 HEX NYLOCK FLANGE
0090	1757954	2	ROD, MOWER HITCH
0100	5023174	2	CLEVIS, 1/2-20, STEEL, CLEAR ZINC
0120	1757955	2	PIVOT, MOWER FRONT
0140	7091594	2	COTTER PIN, 1/2" Self-Locking
0150	5025479	2	CLEVIS PIN, 1/2 X 1.36 SAE STANDARD
0170	5025214X9	2	PIN, CLEVIS, 3/8 X 1-1/8, PLATED
0180	80003522	2	HHCS, 3/8-16 X 2.00, GR5, ZINC/CLEAR
0190	80002736	2	PIN, 3/32 X 0.750, COT, ZINC/CLEAR
0200	5025013X14	2	BOLT, 3/8-16 X 1-3/4" GD5 CZ

# 48" Mower Deck Group - Housing, Covers, Spindles, & Blades

Note: Unless noted otherwise, use the standard torque specifications

Mfg. No: 5901990



## 48" Mower Deck Group - Housing, Covers, Spindles, & Blades

REF NO	PART NO	QTY	DESCRIPTION
0010	5105631S	1	BLADE SET, MULCH, 48 DECK -(Refer to Note: *)
0020	1656916	6	WASHER, .475 ID x 1.75 OD x .156 Thick Spring, Black
0030	1732951	3	PULLEY, .68" Deep-Groove OD 4.6"
0040	1758623	3	SPACER, HUB
0050	5416763	3	ASSY, ALUMINUM SPINDLE, 1761445 HOUSING
0060	80006216	18	SCREW,5/16-18X1.000,HEX WSHR HD,TT,ZC/CL -(Torque spindle mounting bolt to 30 ft-lbs (41 Nm))
0070	80020425	3	CAPSCREW-HEX HD 7/16-14X1.000 G5 ZC/CL -(Torque blade mounting bolt to 50-60 ft-lbs (68-81 Nm))
0080	1921212	3	CAPSCREW, Hex-Head, 7/16-14 x 1-1/2
0090	-----	13	RHSSNB,5/16-18 X 3/4 GR5 ZINC/CLEAR
0100	5601108	1	DECK SHELL W/ DECALS, 400S48-CE (5416925B)
0110	84008680	1	PLATE, Spindle, Right
0120	84008681	1	PLATE, Spindle, Left
0130	5413498	1	CHUTE, RUBBER DISCHARGE CHUTE (5104441)
0140	1760930A	1	SUPPORT, DISCHARGE CHUTE, CE - BLACK
0150	1760936A	1	WELD, DISCHARGE CHUTE, CE - BLACK
0160	5042555	1	ROD, 5/16 X 13.75, TBE, CZ
0170	5025155	6	WASHER, 5/16" SAE
0180	5025045	2	NUT, 5/16-24 HEX NYLON LOCK
0190	5025392	24	NUT, 5/16-18 HEX NYLOCK FLANGE NUT
0200	5022308	6	BODY CLIP, 5/16-18-7GA MATERIAL
0210	5025011X6	11	BOLT, 5/16-18 X 3/4 GD5
0220	5025292	6	WASHER, 5/16 GRADE 9, FLAT
0230	5025146X12	2	BOLT, 3/8-16 X 1-1/2, CARRIAGE, GD5, CZ
0240	5025394	2	NUT, 3/8 - 16 HEX NYLOCK FLANGE
0250	5105748	1	FLAP, 400S, 48"
0260	5417221A	1	PLATE, SUPPORT - BLK
0270	5025145X8	5	BOLT, 5/16-18 X 1, CARRIAGE, GD5, CZ
0280	5416989B	1	WELD, BLOCKOFF, 48 - RED
0290	5416972B	1	WELD, FRONT BAFFLE, 48 - RED
0300	5416970B	1	WELD, REAR BAFFLE, 48, LOW - RED
0310	5416971B	1	WELD, REAR BAFFLE, 48, HIGH - RED
0320	5416952B	1	FRONT GUARD, LH - RED
0330	5416953B	1	FRONT GUARD, RH - RED
0340	5025145X8	1	BOLT, 5/16-18 X 1, CARRIAGE, GD5, CZ

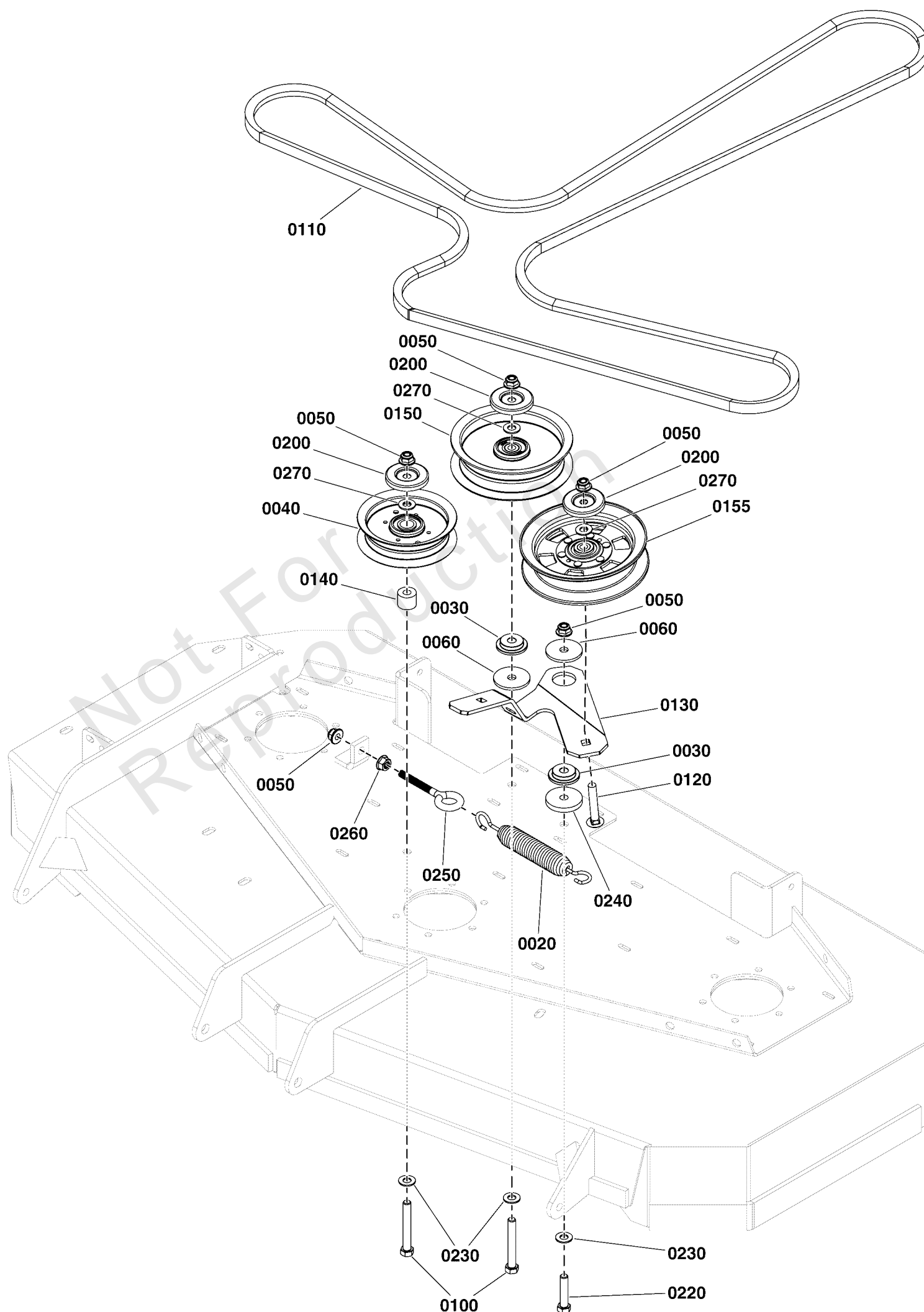
### Footnotes:

Note: \*Set of 3 blades.

# 48" Mower Deck Group - Pulleys, Belt & Idler Arm

Note: Unless noted otherwise, use the standard torque specifications

Mfg. No: 5901990





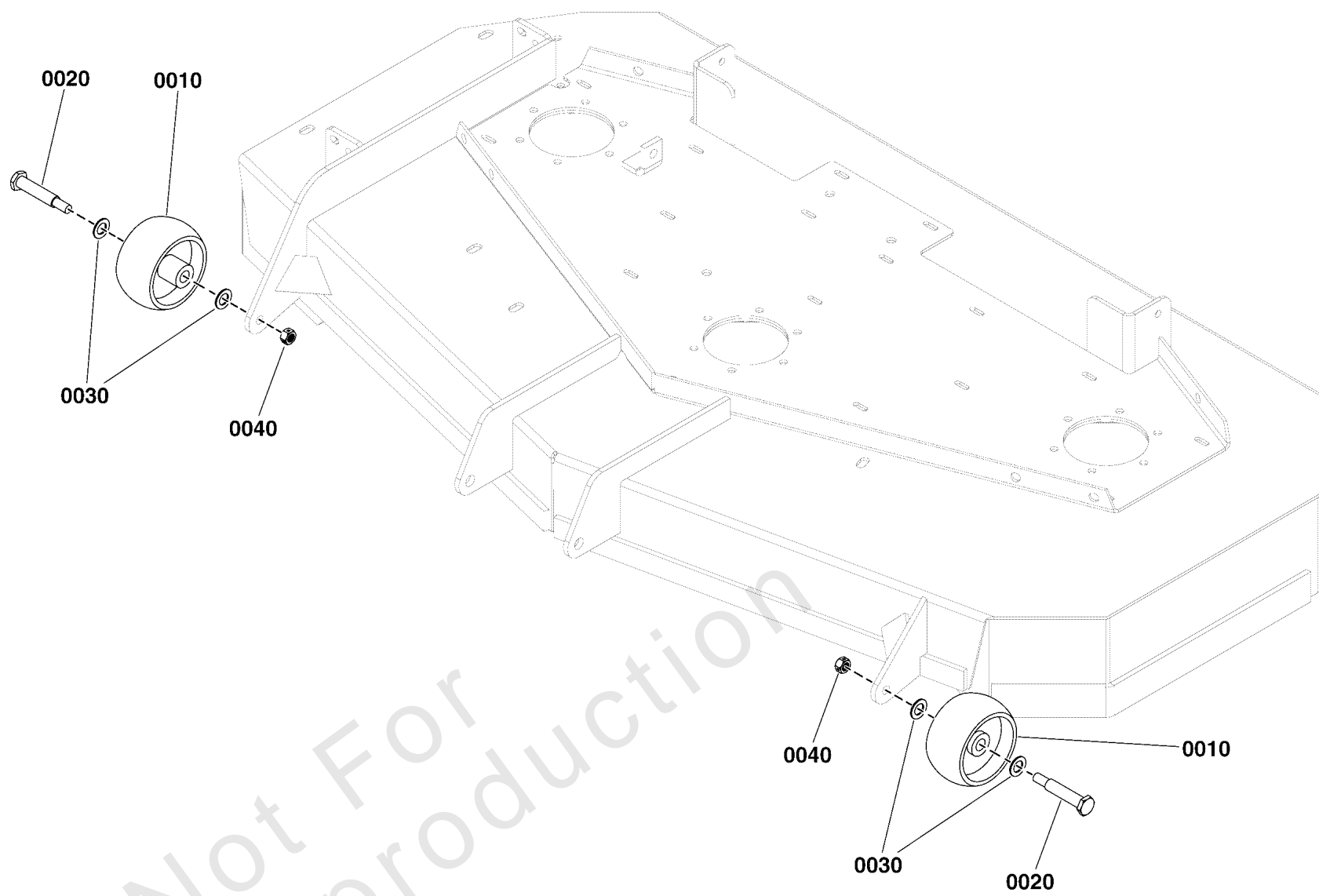
## 48" Mower Deck Group - Pulleys, Belt & Idler Arm

REF NO	PART NO	QTY	DESCRIPTION
0020	5022847	1	SPRING-EXT, 1.04 ODX6.935LGX.148WR, BLK
0030	1757738	2	SPACER IDLER 42
0040	1757823	1	PULLEY-IDLER 4" BACKSIDE STEEL
0050	5025394	5	NUT, 3/8 - 16 HEX NYLOCK FLANGE
0060	5025305	2	WASHER, .41 X 1.75 X .14
0100	5025013X22	2	BOLT, 3/8-16 X 2-3/4" GD5 CZ
0110	5105516	1	BELT, A-SEC, 130" EL, WRAP, ARAMID
0120	7900009	1	RHSSNB, 3/8-16 X 2-1/4, GR5
0130	1759696A	1	ARM, IDLER - 52" ZT (BLACK)
0140	1667812	1	SPACER-0.390ID 0.90 OD 0.70LG P'MTL
0150	84003633	1	PULLEY, Flat Idler
0155	5106473	1	PULLEY,IDLER, BACKSIDE,6.25ODX381IDINSER
0200	5105033	3	SHIELD, PULLEY, 3/8"ID X 2"OD, CZ
0220	5025013X14	1	BOLT, 3/8-16 X 1-3/4" GD5 CZ
0230	5025156	3	WASHER, 3/8 SAE
0240	1960071	1	WASHER-0.375(0.41IDX1.75ODX.25THK) BLK
0250	5025429	1	EYEBOLT, 3/8-16 X 4, 2.13THRD, .75EYE, C
0260	5025128	1	NUT, 3/8-16 Hex Large Serrated Flange
0270	5025293	3	WASHER, 3/8" GR. 9 FLAT

# 48" Mower Deck Group - Rollers

Note: Unless noted otherwise, use the standard torque specifications

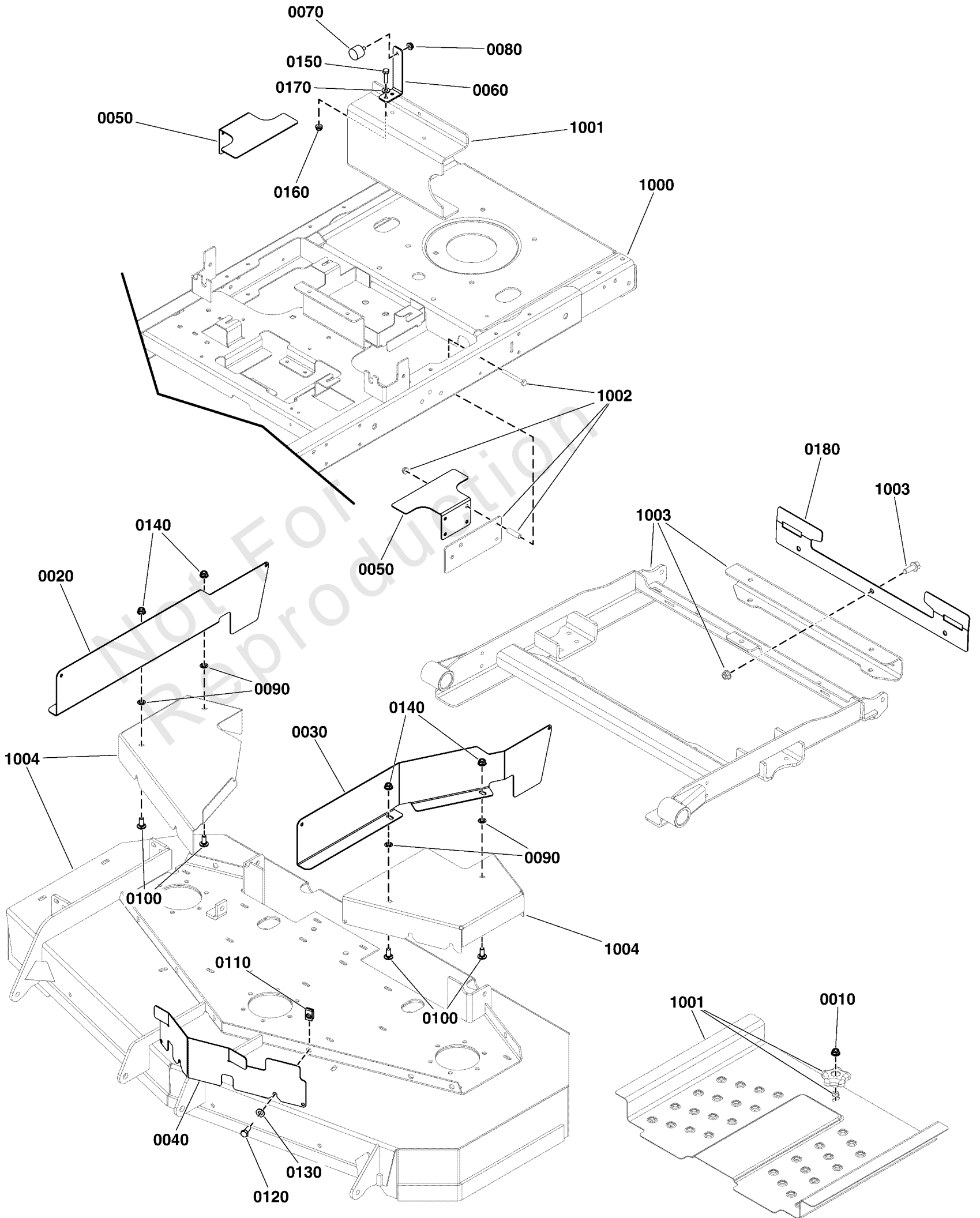
Mfg. No: 5901990



## 48" Mower Deck Group - Rollers

REF NO	PART NO	QTY	DESCRIPTION
0010	1714760	2	WHEEL- 2.00 WIDE 3.88 DIA 0.531ID POLY
0020	2108765	2	BOLT-WHEEL 3/8-16X2.781 .750 THRD YELLOW
0030	80003590	4	WASHER,.516IDX.875ODX.06,FLAT,ZC/CL
0040	5025394	2	NUT, 3/8 - 16 HEX NYLOCK FLANGE

Not For Reproduction



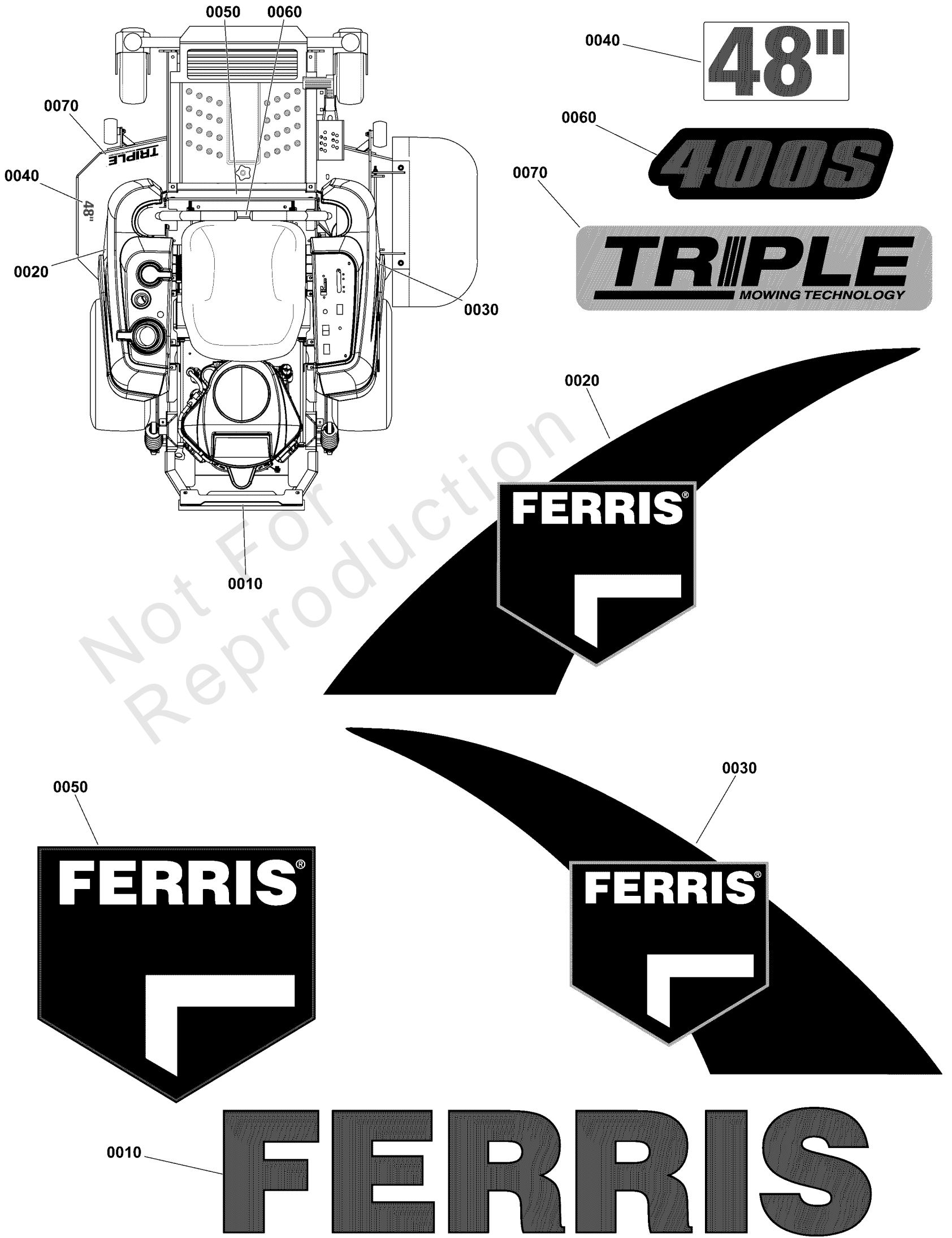
## CE Guarding Group

REF NO	PART NO	QTY	DESCRIPTION
0010	80003547	1	NUT 1/4-20 CNTR FLNG ZINC/CLEAR
0020	5417261B	1	PLATE, RH UPPER DECK GUARD, CE48 - RED
0030	5417262B	1	PLATE, LH UPPER DECK GUARD, CE48 - RED
0040	5417263B	1	PLATE, CENTER DECK GUARD, CE 48 - RED
0050	5417264B	2	PLATE, BELT GUARD, 400S CE - RED
0060	5417265A	1	PLATE, BRACKET, SEAT LOCK - BLK
0070	5022673	1	BUMPER, RUBBER, 1/4-20
0080	5025126	1	NUT, 1/4-20 HEX SERR. FLANGE
0090	5025498	4	5/16" PUSH-ON NUT RETAINER, STL, CZ
0100	-----	4	RHSSNB,5/16-18 X 3/4 GR5 ZINC/CLEAR
0110	5022308	2	BODY CLIP, 5/16-18-7GA MATERIAL
0120	5025011X6	2	BOLT, 5/16-18 X 3/4 GD5
0130	5025155	2	WASHER, 5/16" SAE
0140	5025392	4	NUT, 5/16-18 HEX NYLOCK FLANGE NUT
0150	5025010X8	2	BOLT, 1/4-20 X 1" GD5 CZ
0160	5025391	2	NUT, 1/4-20 Hex Nylock Flange
0170	5025154	2	WASHER, 1/4 SAE
0180	5417266B	1	PLATE, FAN GUARD, 400S CE - RED
1000	-----	1	Refer to: Main Frame & Front Suspension Group
1001	-----	1	Refer to: Seat Mount & Floor Group
1002	-----	1	Refer to: Motion Control Group
1003	-----	1	Refer to: Rear Suspension Group
1004	-----	1	Refer to: Housing, Covers, Spindles & Blades Group

**Decal Group - Brand & Model (Export Models)**

Note: Unless noted otherwise, use the standard torque specifications

Mfg. No: 5901990



***Decal Group - Brand & Model (Export Models)***

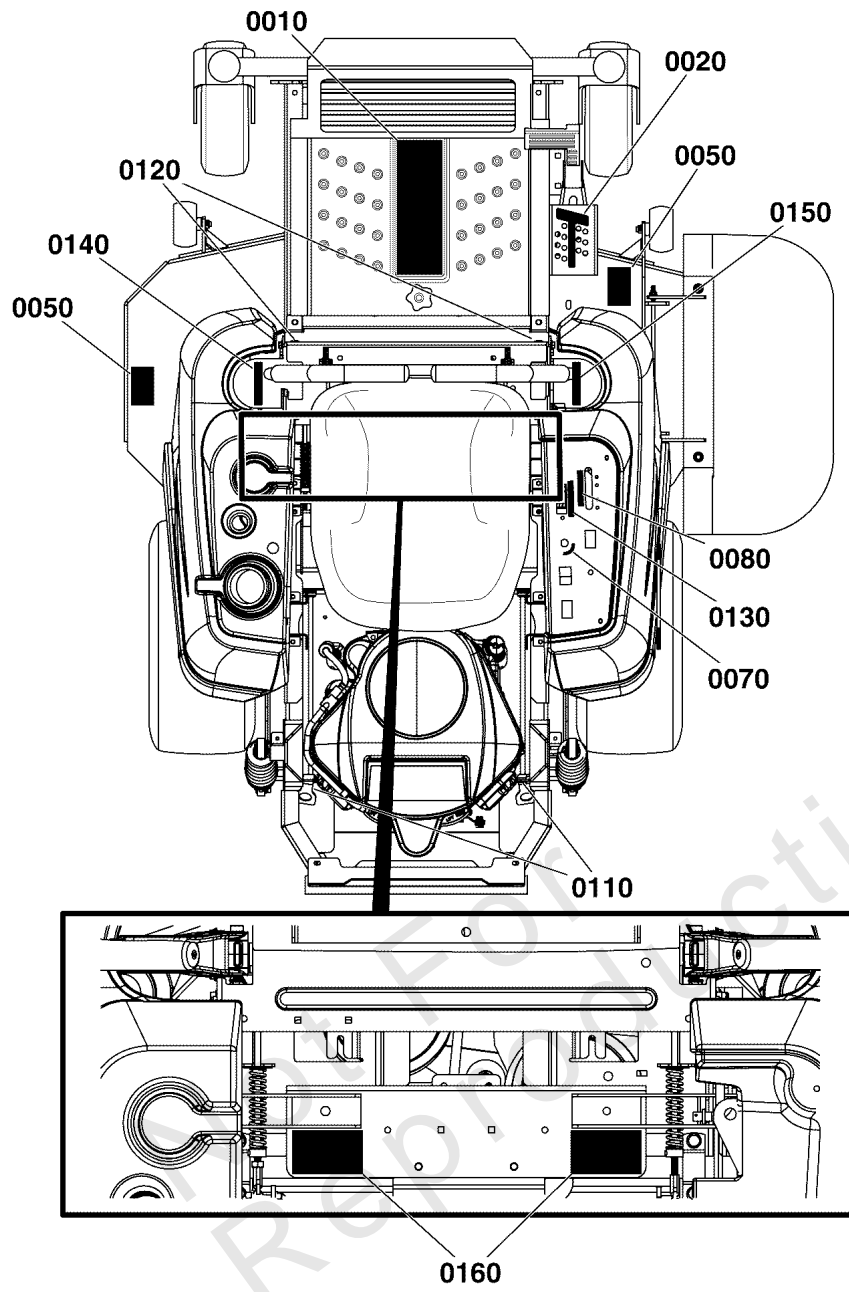
REF NO	PART NO	QTY	DESCRIPTION
0010	5103799	1	DECAL, FERRIS, 2.23" X 11.39"
0020	5109091	1	DECAL, TANK, SML, LH, FERRIS
0030	5109092	1	DECAL, TANK, SML, RH, FERRIS
0040	5022811	1	DECAL, 48
0050	5104724	1	DECAL, FERRIS LOGO, MEDIUM
0060	5105635	1	DECAL, MODEL, 400S
0070	-----	1	DECAL, TRIPLE MOWING TECHNOLOGY

Not For Reproduction

# Decal Group - Safety & Operation (Export) S/N: 4000034138 & Below

Note: Unless noted otherwise, use the standard torque specifications

Mfg. No: 5901990



0010

0140

0150

5105657

5105658

1759648

0070

0110

0050

0160

0120

0080

0130

0040

0090

0020

1759466

1759724

5100290

5105636

61042 B

5100957

5100009

HYDRAULIC OIL

USE SAE 20W-50 MOTOR OIL

**Belts & Blades**

<b>Tractor</b>	
Pump Drive Belt	885714
<b>48" Mower</b>	
Deck Drive Belt	5105516
Mower Blade	5105631S



**Decal Group - Safety & Operation (Export) S/N: 4000034138 & Below**

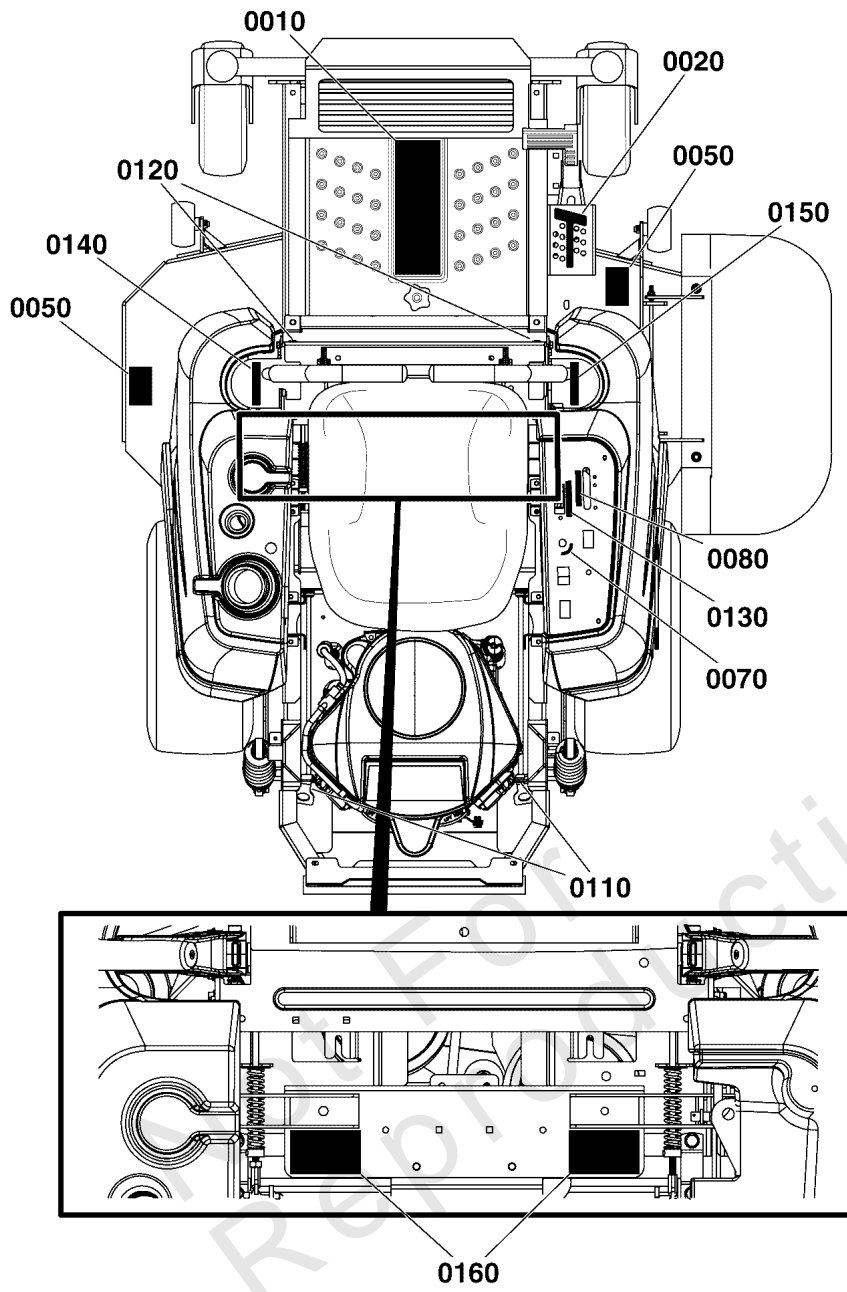
REF NO	PART NO	QTY	DESCRIPTION
0010	1759648	1	DECAL, MAIN SAFETY - ZT (CE)
0020	1759253	1	DECAL, HEIGHT OF CUT
0040	5100957	1	DECAL, HYDRAULIC OIL, SAE 20W50
0050	7106109	2	DECAL, DISCHARGE SAFETY, EXPORT
0070	5048970	1	DECAL, IGNITION CONTROL
0080	5100280	1	DECAL, Throttle Control
0090	5106088	1	DECAL, BELT & BLADE, 400S CE
0110	1759466	2	DECAL, TOW VALVE RELEASE (SUSP)
0120	1759724	2	DECAL, TRACKING ADJUSTMENT - ZT
0130	5105636	1	DECAL, OPERATION, PARK BRAKE
0140	5105657	1	DECAL, SPEED & DIRECTION CONTROL, LH
0150	5105658	1	DECAL, SPEED & DIRECTION CONTROL, RH
0160	5061042	2	DECAL, CE DANGER, HAND IN BELT

Not For Reproduction

# Decal Group - Safety & Operation (Export) S/N: 4000034139 & Above

Note: Unless noted otherwise, use the standard torque specifications

Mfg. No: 5901990



Three vertical safety and operation decals. Decal 0010 (top) contains a warning triangle, an open book icon, and a crossed-out icon. Decal 0140 (middle) contains a warning triangle, a crossed-out icon, and a crossed-out icon. Decal 0150 (bottom) contains a warning triangle, a crossed-out icon, and a crossed-out icon. Each decal has a small icon of a tractor at the bottom.

A collection of safety and operation decals. Decal 0070 is a curved decal with a warning triangle and a crossed-out icon. Decal 0110 is a rectangular decal with a tractor icon and a crossed-out icon. Decal 0120 is a rectangular decal with a gear icon and a crossed-out icon. Decal 0080 is a rectangular decal with a tractor icon and a crossed-out icon. Decal 0130 is a rectangular decal with a tractor icon and a crossed-out icon. Decal 0020 is a large decal with a ruler and a crossed-out icon. Decal 0050 is a rectangular decal with a warning triangle and a crossed-out icon. Decal 0160 is a rectangular decal with a warning triangle and a crossed-out icon. Decal 0040 is a rectangular decal with the text "HYDRAULIC OIL" and "USE SAE 20W-50 MOTOR OIL". Decal 0090 is a rectangular decal with the text "Belts & Blades" and a table of specifications. Decal 0105109 is a rectangular decal with a warning triangle and a crossed-out icon.

Belts & Blades	
<b>Tractor</b>	
Pump Drive Belt	885714
<b>48" Mower</b>	
Deck Drive Belt	5105516
Mower Blade	5105631S

## ***Decal Group - Safety & Operation (Export) S/N: 4000034139 & Above***

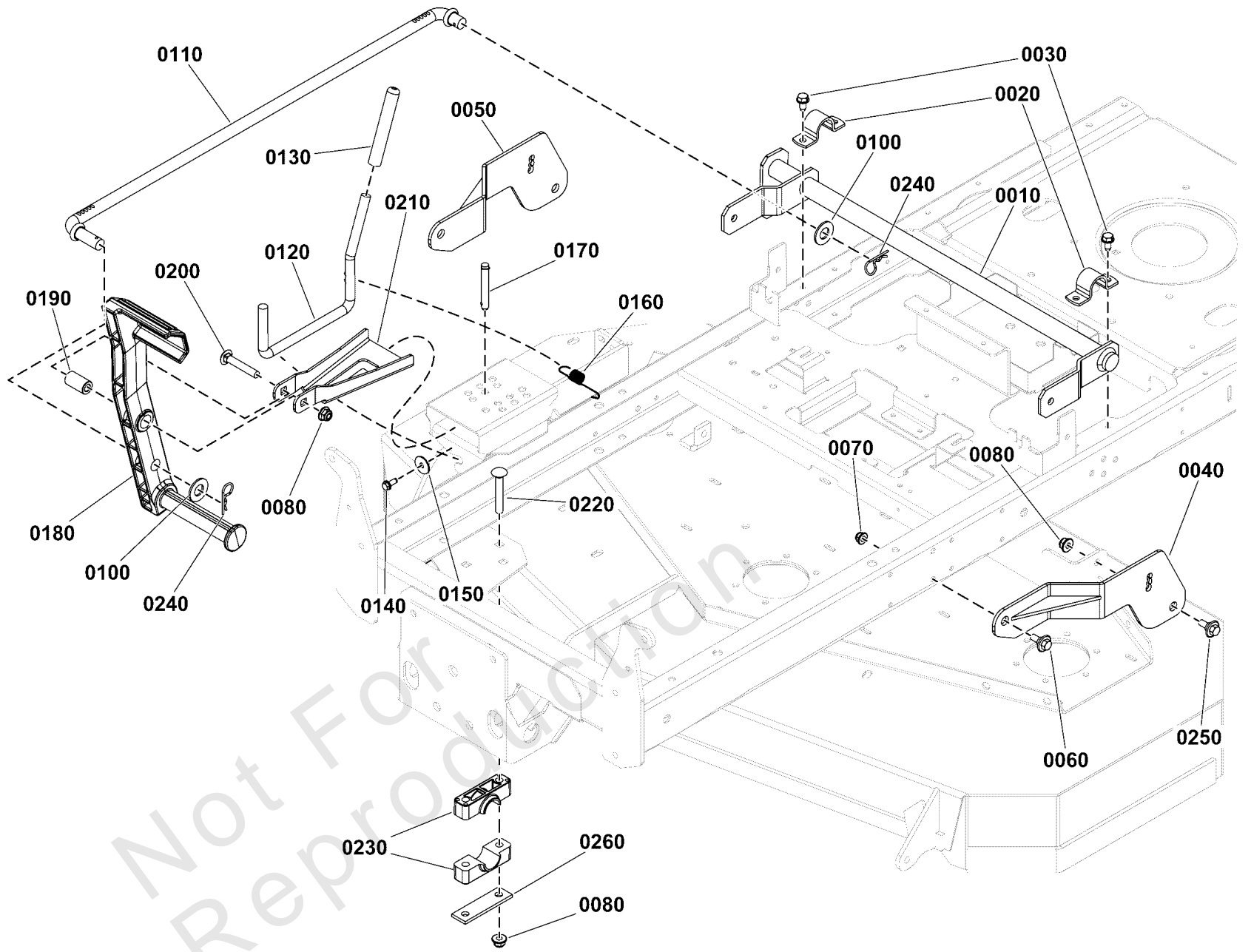
<b>REF NO</b>	<b>PART NO</b>	<b>QTY</b>	<b>DESCRIPTION</b>
0010	5106566	1	DECAL, MAIN SAFETY, EXPORT, SML ZTR
0020	5108117	1	DECAL, CUTTING HEIGHT
0040	5100957	1	DECAL, HYDRAULIC OIL, SAE 20W50
0050	7106109	2	DECAL, DISCHARGE SAFETY, EXPORT
0070	5048970	1	DECAL, IGNITION CONTROL
0080	5100280	1	DECAL, Throttle Control
0090	5106088	1	DECAL, BELT & BLADE, 400S CE
0110	5104268	2	DECAL, TRANSAXLE RELEASE, WB
0120	1759724	2	DECAL, TRACKING ADJUSTMENT - ZT
0130	5105636	1	DECAL, OPERATION, PARK BRAKE
0140	5105657	1	DECAL, SPEED & DIRECTION CONTROL, LH
0150	5105658	1	DECAL, SPEED & DIRECTION CONTROL, RH
0160	5061042	2	DECAL, CE DANGER, HAND IN BELT

Not For Reproduction

# Deck Lift Group

Note: Unless noted otherwise, use the standard torque specifications

Mfg. No: 5901990



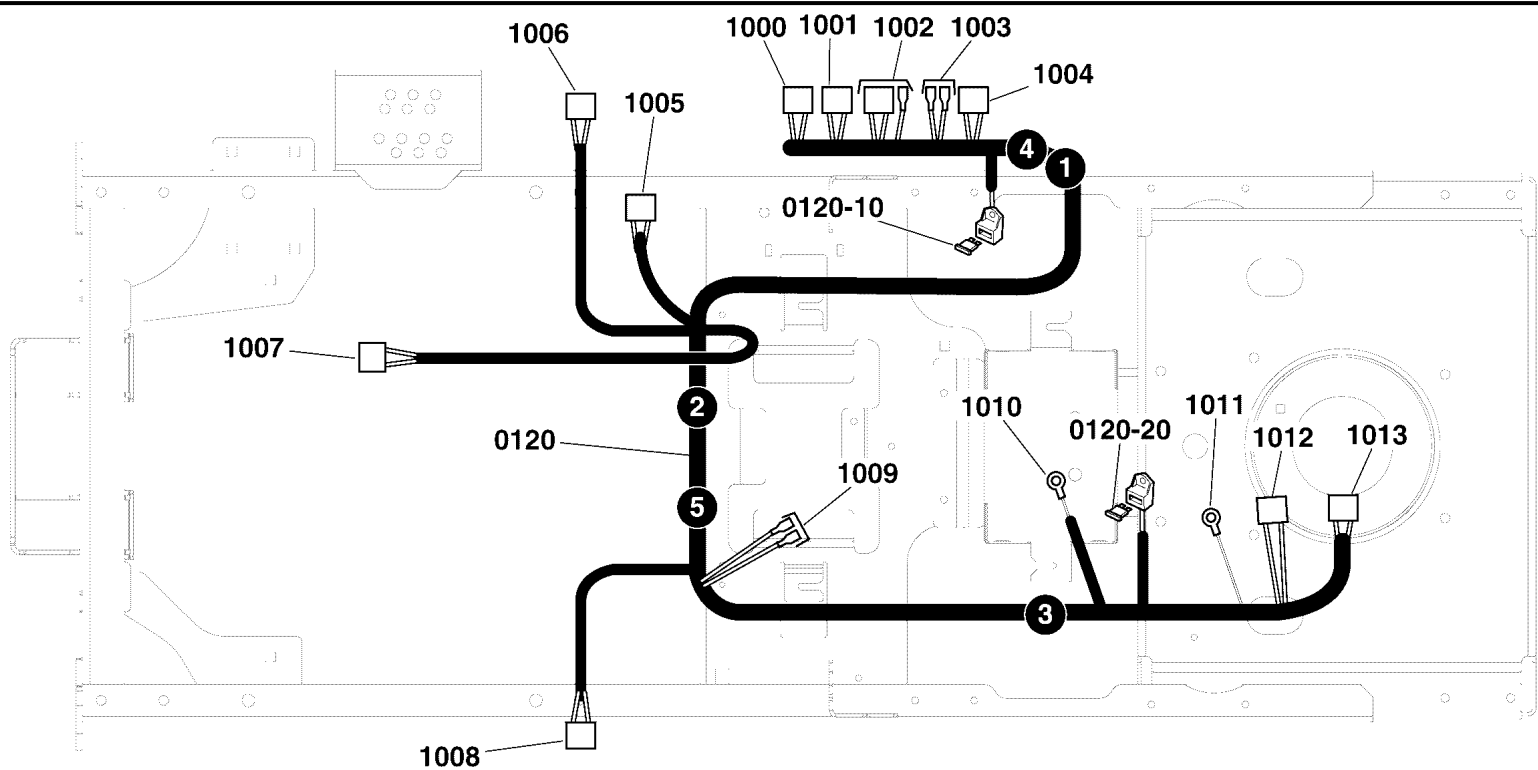
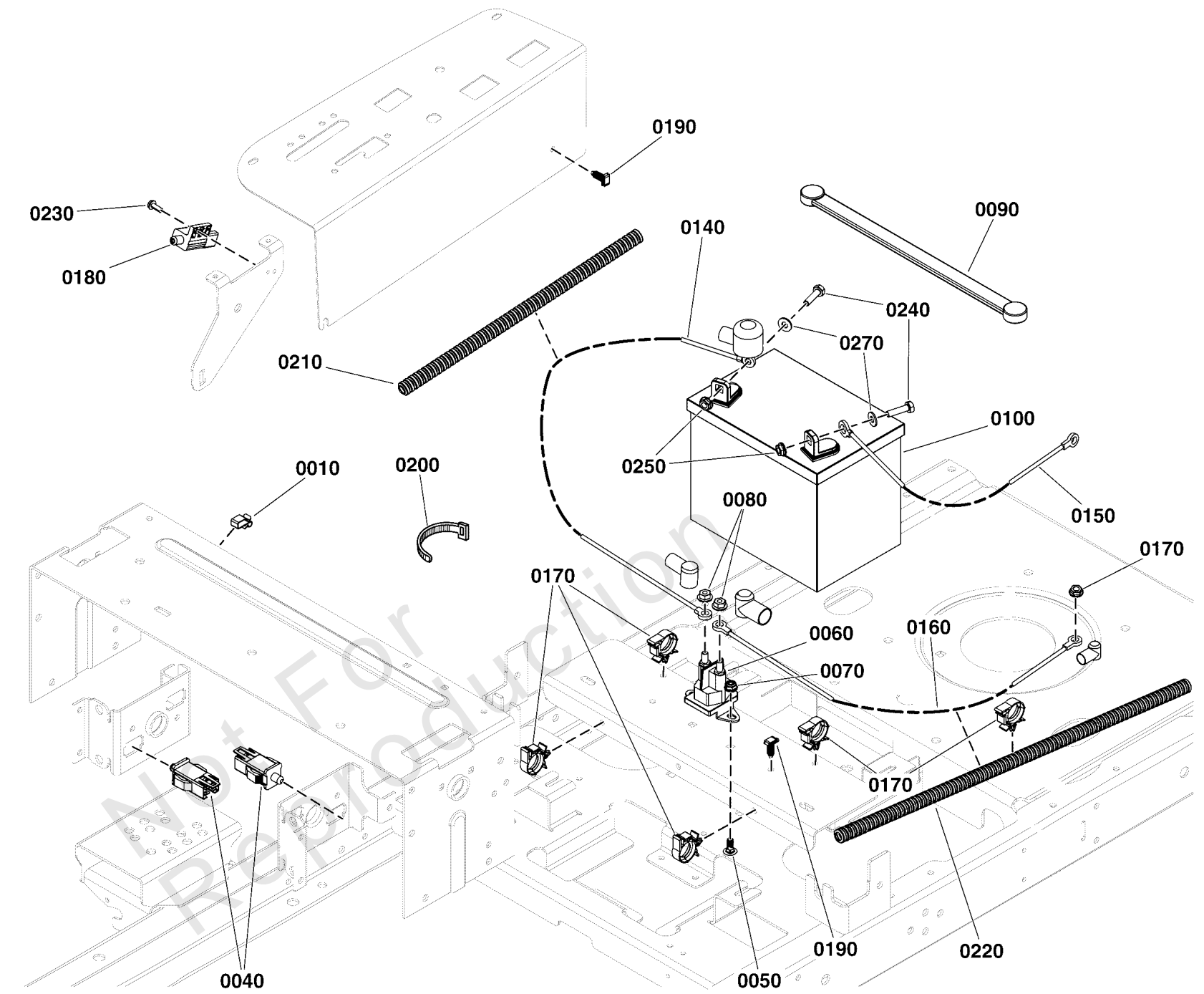
## Deck Lift Group

REF NO	PART NO	QTY	DESCRIPTION
0010	1757958AA	1	WELDMENT, LIFT SHAFT ASSEMBLY - BLK
0020	1720147	2	STRAP 1.00 DIA. SHAFT
0030	80005404	4	SCREW,5/16-18X0.625,WSHR,THD-ROLL,ZC/CL
0040	5416858AA	1	WELD, DECK LIFT PIVOT, LH - BLK
0050	5416856AA	1	NLA - WELD, DECK LIFT PIVOT, RH - BLK
0060	1732426	2	BOLT, Shoulder, 5/16-18 x .13/16, 1/2" Thread Length
0070	5025392	2	NUT, 5/16-18 HEX NYLOCK FLANGE NUT
0080	5025394	7	NUT, 3/8 - 16 HEX NYLOCK FLANGE
0100	5025281	2	WASHER, 5/8" SAE
0110	1758121	1	ROD, FOOT ASSIST
0120	5105717	1	ROD, MOWER TRANSPORT RELEASE
0130	5021880	1	GRIP, FOAM, .475 X 4.35 X .095
0140	80004190	2	SCREW, Hex Washer Head, Thread Roll, 1/4-20 x 5/8
0150	5025288	2	WASHER, 1/4" Fender
0160	1758283	1	SPRING, EXTENSION
0170	5103021	1	HITCH PIN, 3/8 X 2-1/2, COTTERLESS, CZ
0180	1758232	1	PEDAL, FOOT ASSIST MOWER LIFT
0190	1756612	1	BUSHING, DIFF. LOCK
0200	7900009	1	RHSSNB, 3/8-16 X 2-1/4, GR5
0210	1758284A	1	BRACKET, MOWER HOC STOP (BLACK)
0220	1960615	4	CARRIAGE BOLT, 3/8-16 x 2-1/2
0230	5100634	4	PIVOT BLOCK, PLASTIC
0240	5025210	2	3/32 X 1-5/8 HAIR PIN CLIP
0250	5025638	2	BOLT, SHLDR, 3/8-16 0.94LG .49SH DIA BLK
0260	5403925AA	2	PLATE, PIVOT BLOCK SUPPORT - BLK

# Electrical Group (Export Models)

Note: Unless noted otherwise, use the standard torque specifications

Mfg. No: 5901990



## Electrical Group (Export Models)

REF NO	PART NO	QTY	DESCRIPTION
0010	2172434	1	CLIP, Wire
0040	7022886	2	SWITCH, DP NO/NC SNAP-IN
0050	1960252	2	BOLT-RD HD SH SQ NK 1/4-20X0.625 G5 BLK
0060	1755382	1	SOLENOID, STD-BRACKET, 2-SPADE
0070	5025391	2	NUT, 1/4-20 Hex Nylock Flange
0080	80003921	2	NUT,1/4-20,KEPS,CONICAL WSHR,ZC/CL
0090	1722009	1	STRAP, BATTERY, 14 LONG, Rubber
0100	-----	1	BATTERY, 12 Volt, 230CCA, Deka 8U1L -(Refer to Note: *)
0120	5105552	1	HARNESS,SMALL ZTR W/NEUTRAL SWITCH
0120-10	5021603	1	FUSE, ATO-20 (20 AMP)(SV)
0120-20	5101935	1	FUSE, ATO-15 (15 AMP)(SV)
0140	5047136	1	BATTERY CABLE, POS, 15, 1/4-5/16
0150	5047690	1	BATTERY CABLE, NEG, 14, 5/16-13/32
0160	5023488	1	BATTERY CABLE, POS, 22, 1/4-5/16
0170	5104705	4	ROSEBUD LOOM CLIP
0180	1717050	1	SWITCH, PLUNGER, N.O./N.C.
0190	5103761	2	FIR TREE MOUNT, PACKARD
0200	-----	3	TIE, 7, Self Lock
0210	5050927X13	1	WIRE LOOM, 3/8 ID X 13 IN
0220	5050927X20	1	WIRE LOOM, 3/8 ID X 20 IN
0230	80005972	2	SCREW,#10-24X0.50,HEX WSHR,TORX,TT,ZC/CL
0240	5025010X6	2	BOLT, 1/4"-20 X 3/4" GD5 YZ
0250	5025126	2	NUT, 1/4-20 HEX SERR. FLANGE
0270	5025154	2	WASHER, 1/4 SAE
1000	-----	1	Connects to PTO Switch
1001	-----	1	Connects to Parking Brake Switch
1002	-----	1	Connects to Ignition Switch
1003	-----	1	Connects to Auxilary Switch (Headlight)
1004	-----	1	Connects to Hour Meter
1005	-----	1	Connects to Auxilary Wiring Harness (Headlight)
1006	-----	1	Connects to Right Hand Side Neutral Switch
1007	-----	1	Connects to Seat Switch
1008	-----	1	Connects to Left Hand Side Neutral Switch
1009	-----	1	Connects to Starter Solenoid (Coil)
1010	-----	1	Connects to Starter Solenoid (Post)
1011	-----	1	Connects to Ground
1012	-----	1	Connects to Engine
1013	-----	1	Connects to PTO Clutch

### Footnotes:

Note: \* Not for sale. Obtain locally.

# Electrical Schematic - Charging Circuit - B&S 44C777

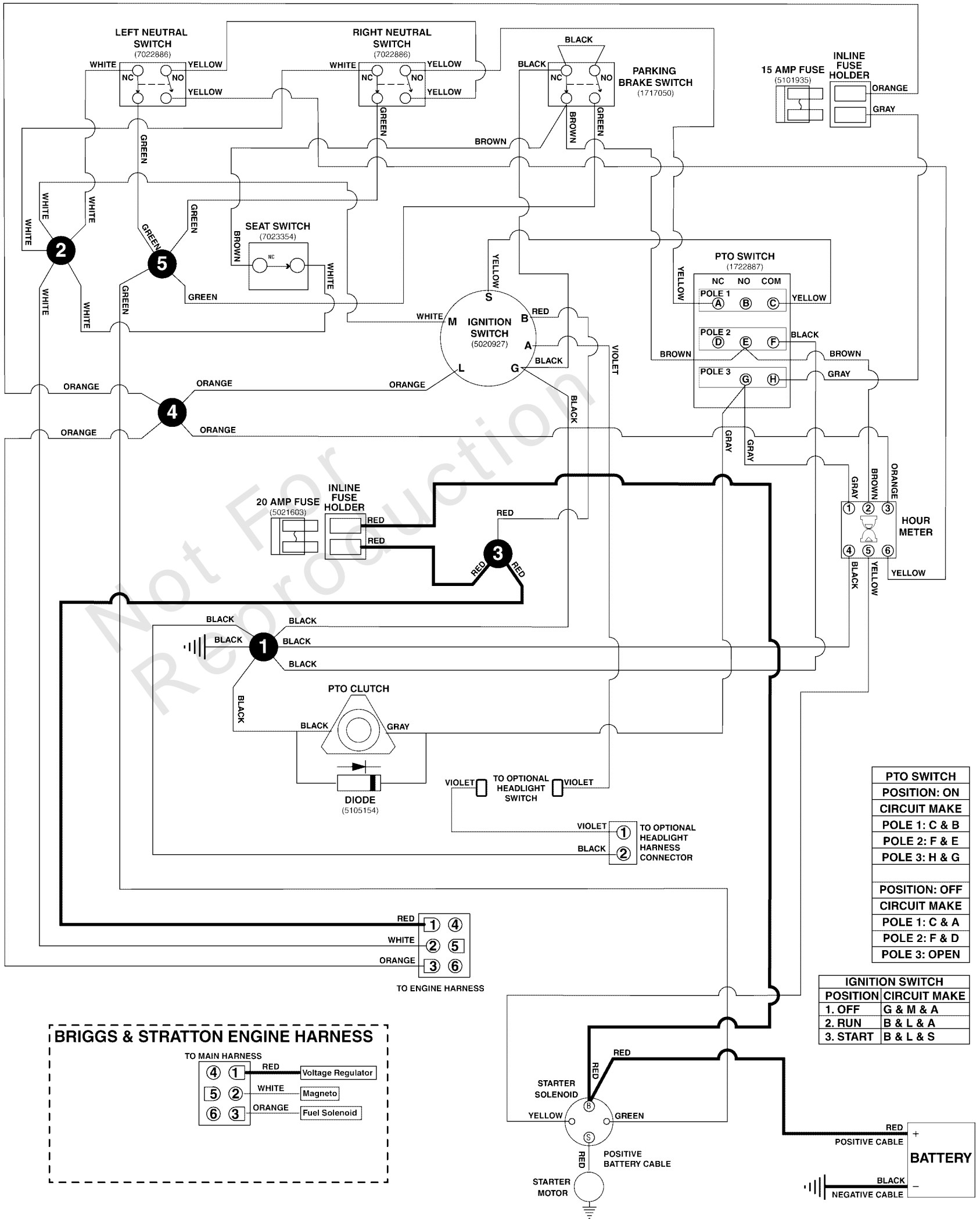
Note: Unless noted otherwise, use the standard torque specifications

Mfg. No: 5901990

## 510552 MAIN WIRE HARNESS - BRIGGS & STRATTON 44C777 ENGINES

510552A

(If internal schematic of the switch is not shown, the image of the switch represents the back view of the connector as it is connected to the switch.)





**Electrical Schematic - Charging Circuit - B&S 44C777**

---

REF NO	PART NO	QTY	DESCRIPTION
5105552	5105552	1	HARNESS,SMALL ZTR W/NEUTRAL SWITCH

---

Not For Reproduction

# Electrical Schematic - Cranking Circuit - B&S 44C777

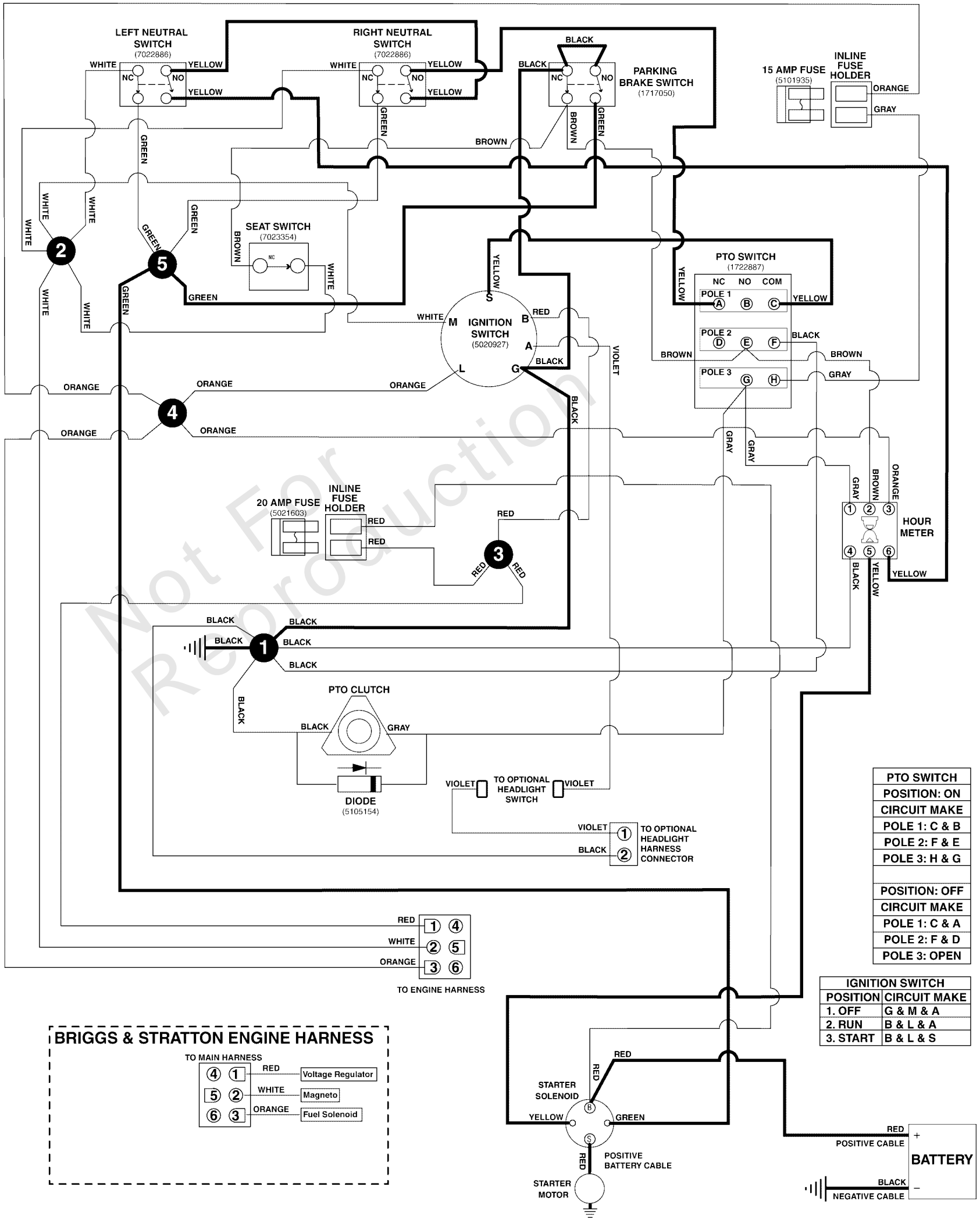
Note: Unless noted otherwise, use the standard torque specifications

Mfg. No: 5901990

## 510552 MAIN WIRE HARNESS - BRIGGS & STRATTON 44C777 ENGINES

510552A

(If internal schematic of the switch is not shown, the image of the switch represents the back view of the connector as it is connected to the switch.)



**Electrical Schematic - Cranking Circuit - B&S 44C777**

---

REF NO	PART NO	QTY	DESCRIPTION
5105552	5105552	1	HARNESS,SMALL ZTR W/NEUTRAL SWITCH

---

Not For Reproduction

# Electrical Schematic - Ign. Grounding Circuit/Op. Pres - B&S 44C777

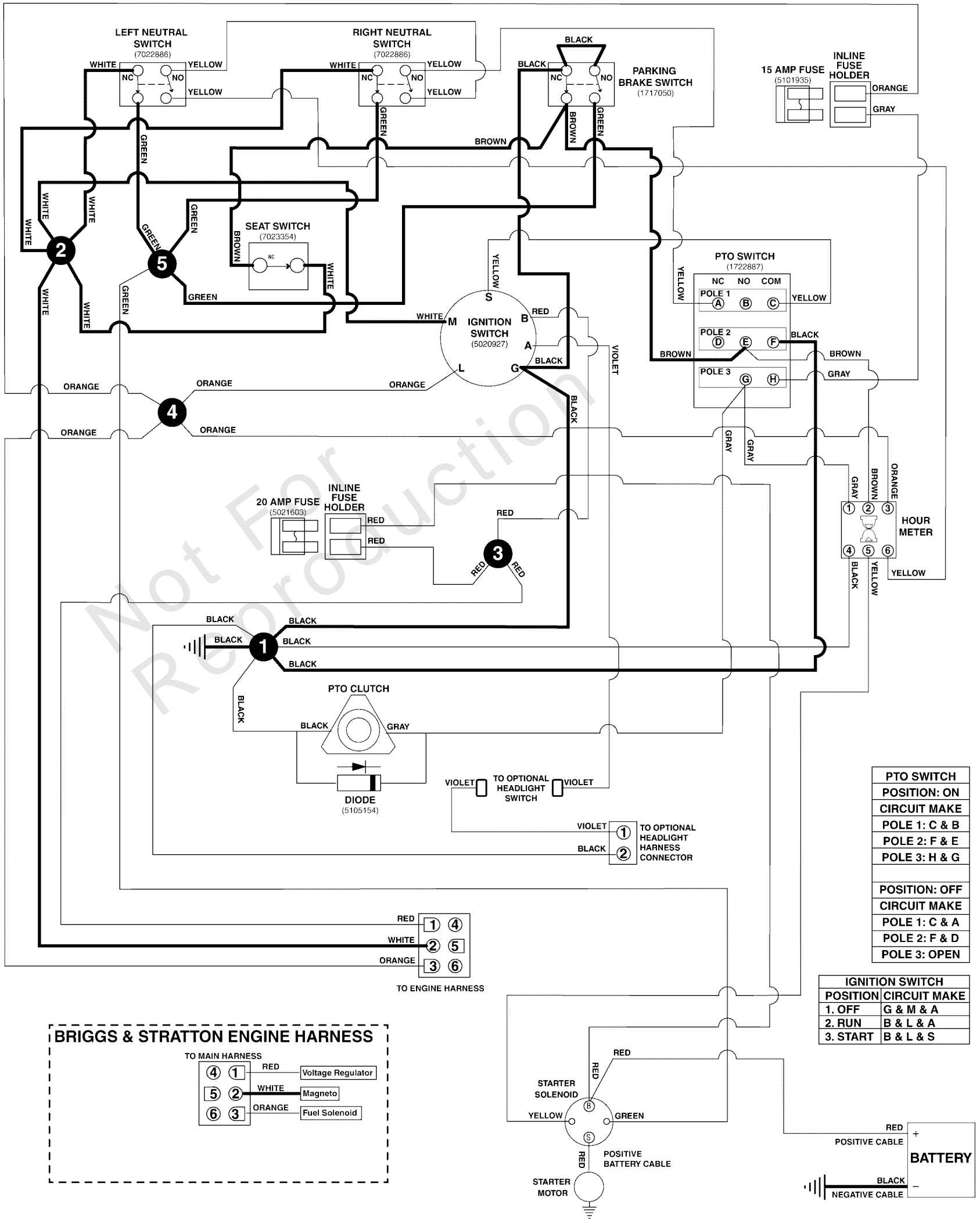
Note: Unless noted otherwise, use the standard torque specifications

Mfg. No: 5901990

## 510552 MAIN WIRE HARNESS - BRIGGS & STRATTON 44C777 ENGINES

510552A

(If internal schematic of the switch is not shown, the image of the switch represents the back view of the connector as it is connected to the switch.)



**Electrical Schematic - Ign. Grounding Circuit/Op. Pres - B&S 44C777**

---

REF NO	PART NO	QTY	DESCRIPTION
5105552	5105552	1	HARNESS,SMALL ZTR W/NEUTRAL SWITCH

---

Not For Reproduction

# Electrical Schematic - PTO Clutch Circuit - B&S 44C777

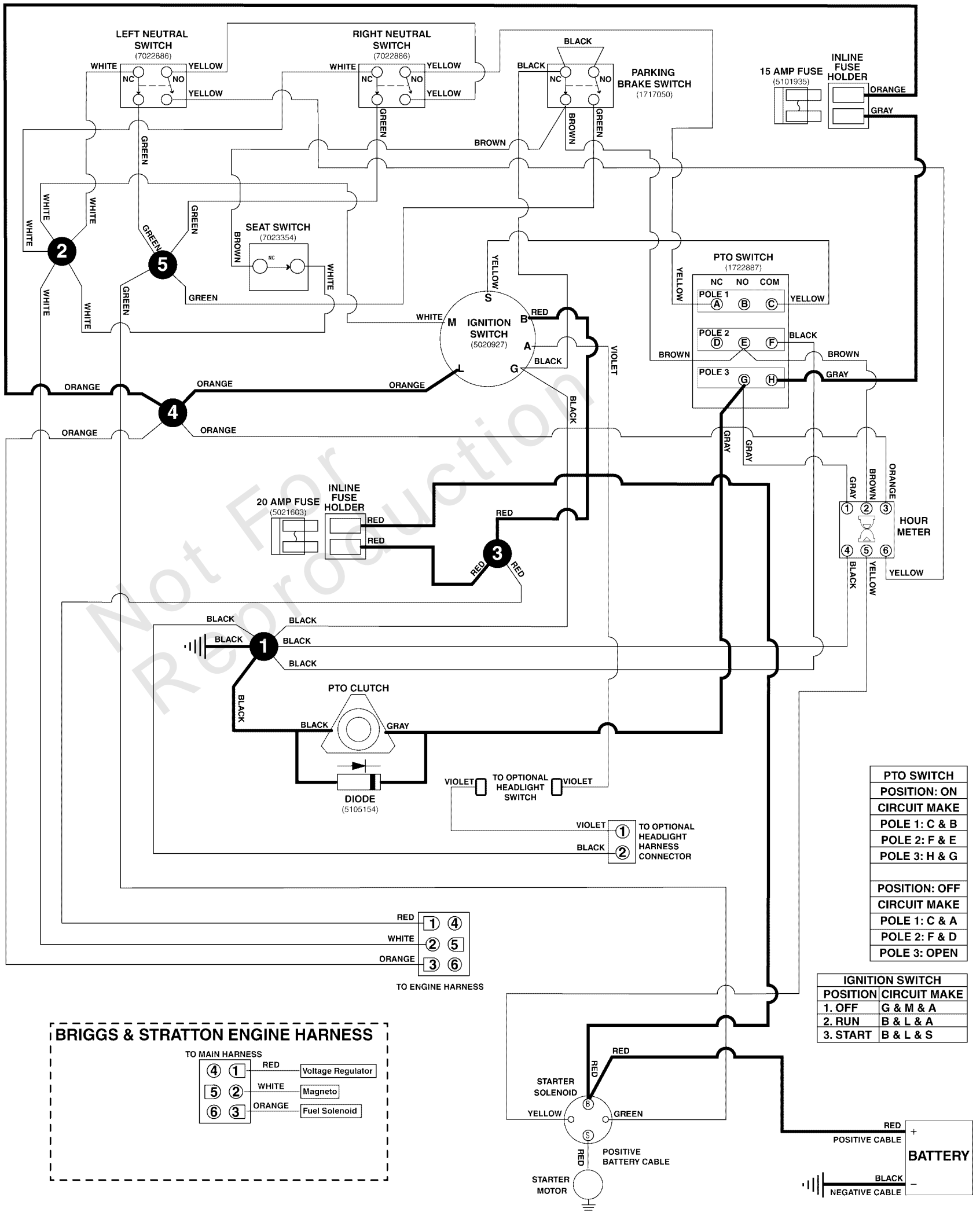
Note: Unless noted otherwise, use the standard torque specifications

Mfg. No: 5901990

## 510552 MAIN WIRE HARNESS - BRIGGS & STRATTON 44C777 ENGINES

510552A

(If internal schematic of the switch is not shown, the image of the switch represents the back view of the connector as it is connected to the switch.)



**Electrical Schematic - PTO Clutch Circuit - B&S 44C777**

---

REF NO	PART NO	QTY	DESCRIPTION
5105552	5105552	1	HARNESS,SMALL ZTR W/NEUTRAL SWITCH

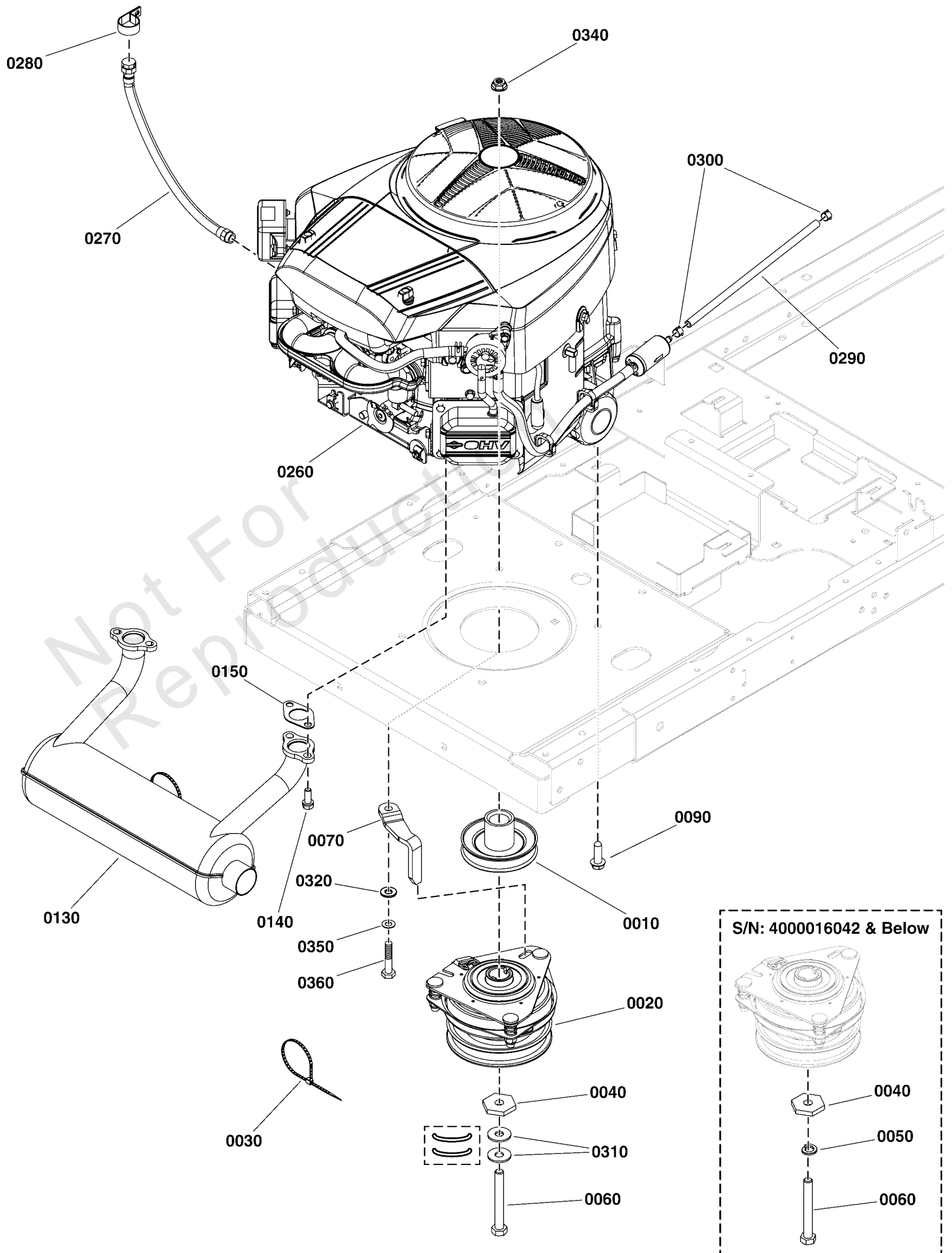
---

Not For Reproduction

# Engine & PTO Group - Briggs & Stratton 44C777-0005-G1

Note: Unless noted otherwise, use the standard torque specifications

Mfg. No: 5901990





## Engine & PTO Group - Briggs & Stratton 44C777-0005-G1

REF NO	PART NO	QTY	DESCRIPTION
0010	1757995	1	PULLEY ASSEMBLY, ENGINE - ZT
0020	1736105	1	CLUTCH, Electric, Mid Ogura
0030	-----	1	TIE, 7, Self Lock -(Secures wire harness away from moving parts.)
0040	1708264	1	WASHER, Hex, .453 I.D. x 1-1/2"
0050	-----	1	WASHER -(S/N: 4000016042 & Below)(Replace using higher serial number components.)
0060	771023	1	CAPSCREW, Hex Head, Loctite, 7/16-20 x 3 1/2 -(Torque clutch mounting bolt to 45-50 ft-lbs (54-68 Nm))
0070	1737421A	1	GUIDE, Belt Retainer, Clutch
0090	80020381	3	SCREW-HEX WSHR HD TAPTT 3/8-16X1.250, ZC -(Torque engine mounting bolts to 15-17 ft-lbs (20-23 Nm))
0130	1758350	1	MUFFLER, ZT (B&S M40/44)
0140	94480	4	SCREW
0150	273485	2	GASKET, EXHAUST
0260	44C777-0005-G1	1	ENGINE, Briggs & Stratton -(Refer to Note: *)
0270	1726498	1	HOSE-OIL DRAIN .375ID 16.5L
0280	5021500	1	CLAMP, VINYL INSULATED, 1.00
0290	5050831X25	1	Fuel Line, 25" Long (tank to filter)
0300	93807	2	CLAMP, Hose
0310	5025585	2	BELLEVILLE WASHER, 1.1875 X .442 X .098 -(S/N: 4000016043 & Above)
0320	80003621	1	WSHR,.406X.875X.083FLT,TYPE A,ZINC/CLEAR
0340	5025392SM	1	NUT, Ny Lock Flange, 5/16-18
0350	5025155SM	1	WASHER, 5/16
0360	5025011X14SM	1	BOLT, 5/16-18 X 1-3/4

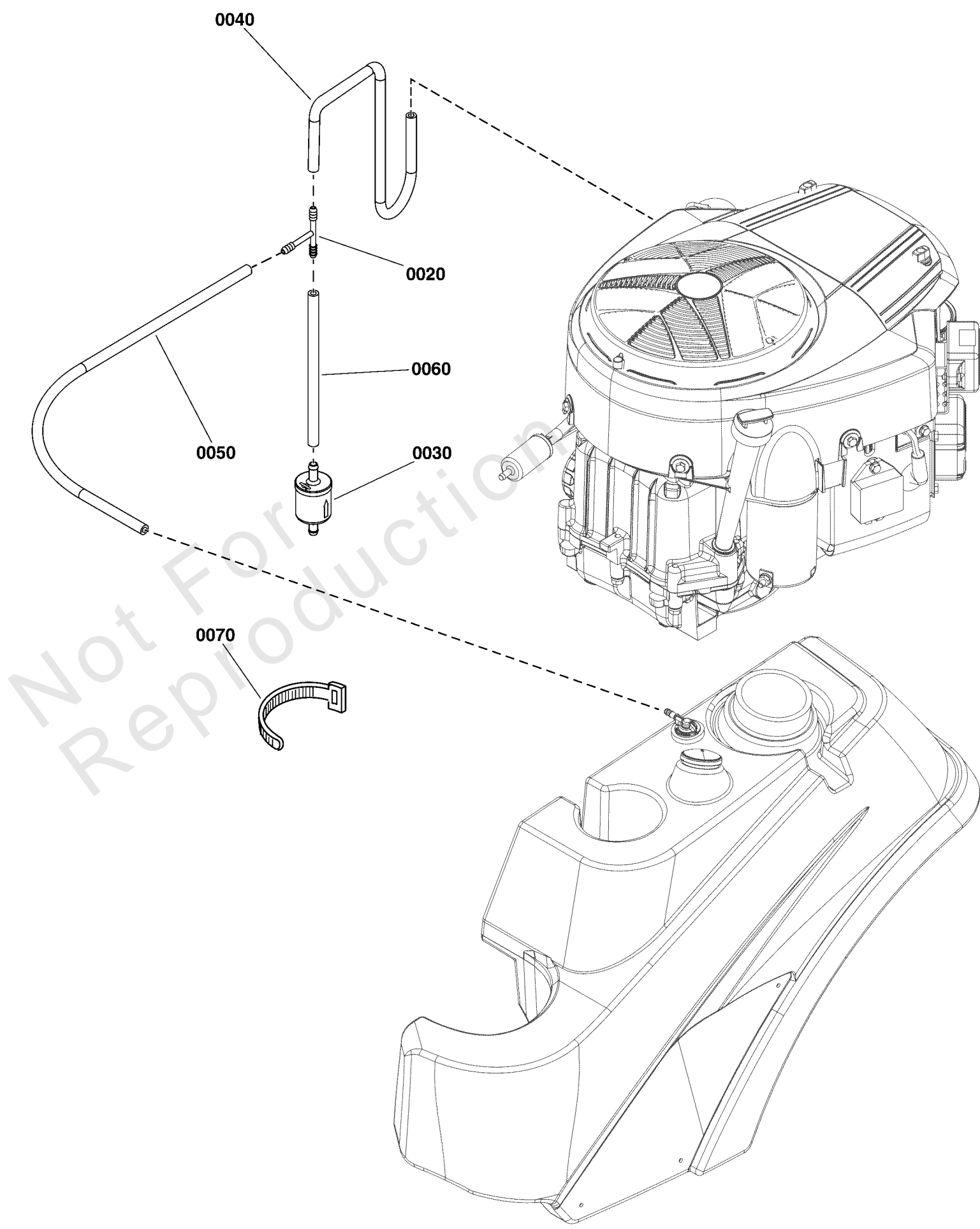
### Footnotes:

Note:\* Refer to you local Briggs & Stratton distributor for parts and service.

# Evap Group - Briggs & Stratton

Note: Unless noted otherwise, use the standard torque specifications

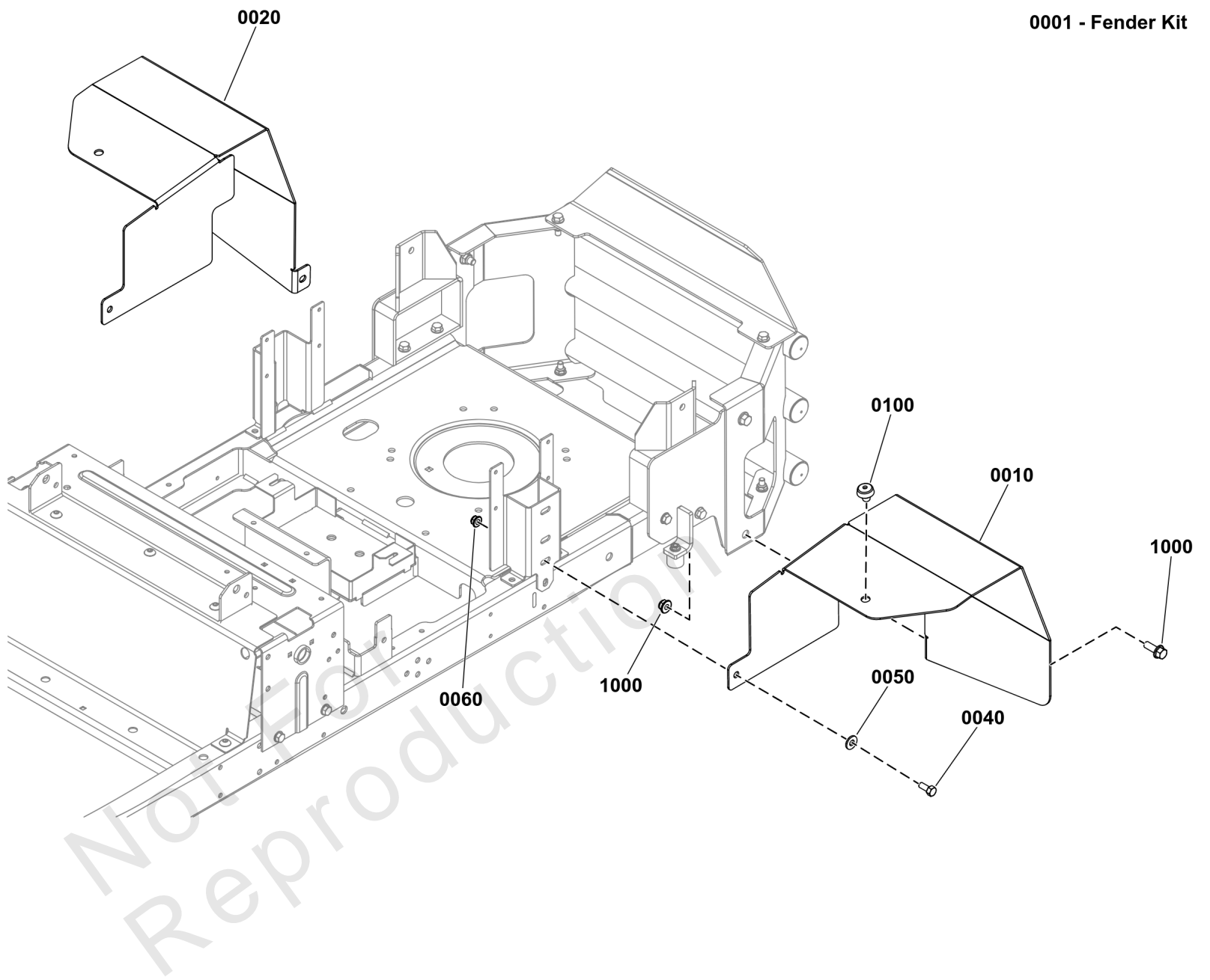
Mfg. No: 5901990



## Evap Group - Briggs & Stratton

REF NO	PART NO	QTY	DESCRIPTION
0020	5103062	1	FITTING, 3/16" TEE, BARB TYPE, HDPE
0030	80025019	1	FILTER, FUEL
0040	7700552X27	1	HOSE, VAPOR, 5MM ID, 27.00 LG
0050	7700552X12	1	HOSE, VAPOR, 5MM ID, 12.00 LG
0060	7700552X2	1	HOSE, VAPOR, 5MM ID, 2.00 LG
0070	5021030	2	TIE, SELF-LOCKING, 6"

Not For Reproduction



## Fender Group

REF NO	PART NO	QTY	DESCRIPTION
0001	5601377	1	KIT, EU FENDERS, 400SCE -(Refer to  Note: *)
0010	-----	1	PLATE, FENDER, LH, 400S - RED
0020	-----	1	PLATE, FENDER, RH, 400S - RED
0040	5025011X6	2	BOLT, 5/16-18 X 3/4 GD5
0050	5025292	2	WASHER, 5/16 GRADE 9, FLAT
0060	5025392	2	NUT, 5/16-18 HEX NYLOCK FLANGE NUT
0100	197546	2	MNT, VBRTN, RBBR
1000	-----	0	Refer to: Rear Bumper Group

Not For  
Reproduction

---

**Footnotes:**

Note: \*Includes all parts called out on this page.



## Fuel Tank and Mount Group S/N: 2018115601 and Below

REF NO	PART NO	QTY	DESCRIPTION
0010	5105496	1	TANK, FUEL, LH
0010-10	5101149	1	PICKUP TUBE ASM, FUEL TANK, 22"
0010-20	1726400	1	BUSHING-FUEL TANK RED RUBBER
0010-30	209043	1	GROMMET (SV)
0010-40	80019626	1	ASSY., REMOTE VENT - NO VALVE
0010-50	5022917	1	GAUGE, FUEL, 12
0010-60	5022917X1	1	GROMMET, FUEL GAUGE (SV)
0020	5105497	1	TANK, FENDER, RH
0030	5025011X6	16	BOLT, 5/16-18 X 3/4 GD5
0040	5025292	16	WASHER, 5/16 GRADE 9, FLAT
0050	5025170	10	WASHER, 5/16 LOCK CZ
0060	5103005	1	FUEL CAP, 3-1/2", MANAGED VENT OUT, 12"
0070	5400250B	2	PLATE, BADGE - IS1500 - RED
0080	5025386	6	SCREW, Allen Head, #10-24 x 3/8"
0090	5416739A	2	WELD, TANK MOUNT, F400Z - BLK
0100	5416743A	1	PLATE, REAR TANK SUPPORT, RH - BLK
0110	5025392	8	NUT, 5/16-18 HEX NYLOCK FLANGE NUT
0120	5416687B	1	PLATE, TANK MOUNT CENTER SUPPORT - RED
0130	80005404	2	SCREW, 5/16-18X0.625, WSHR, THD-ROLL, ZC/CL
0140	5416768A	1	PLATE, REAR TANK SUPPORT, LH - BLK
0150	5025145X6	2	BOLT, 5/16-18 X 3/4, CARRIAGE, GD5, CZ
0160	5025498	2	5/16" PUSH-ON NUT RETAINER, STL, CZ





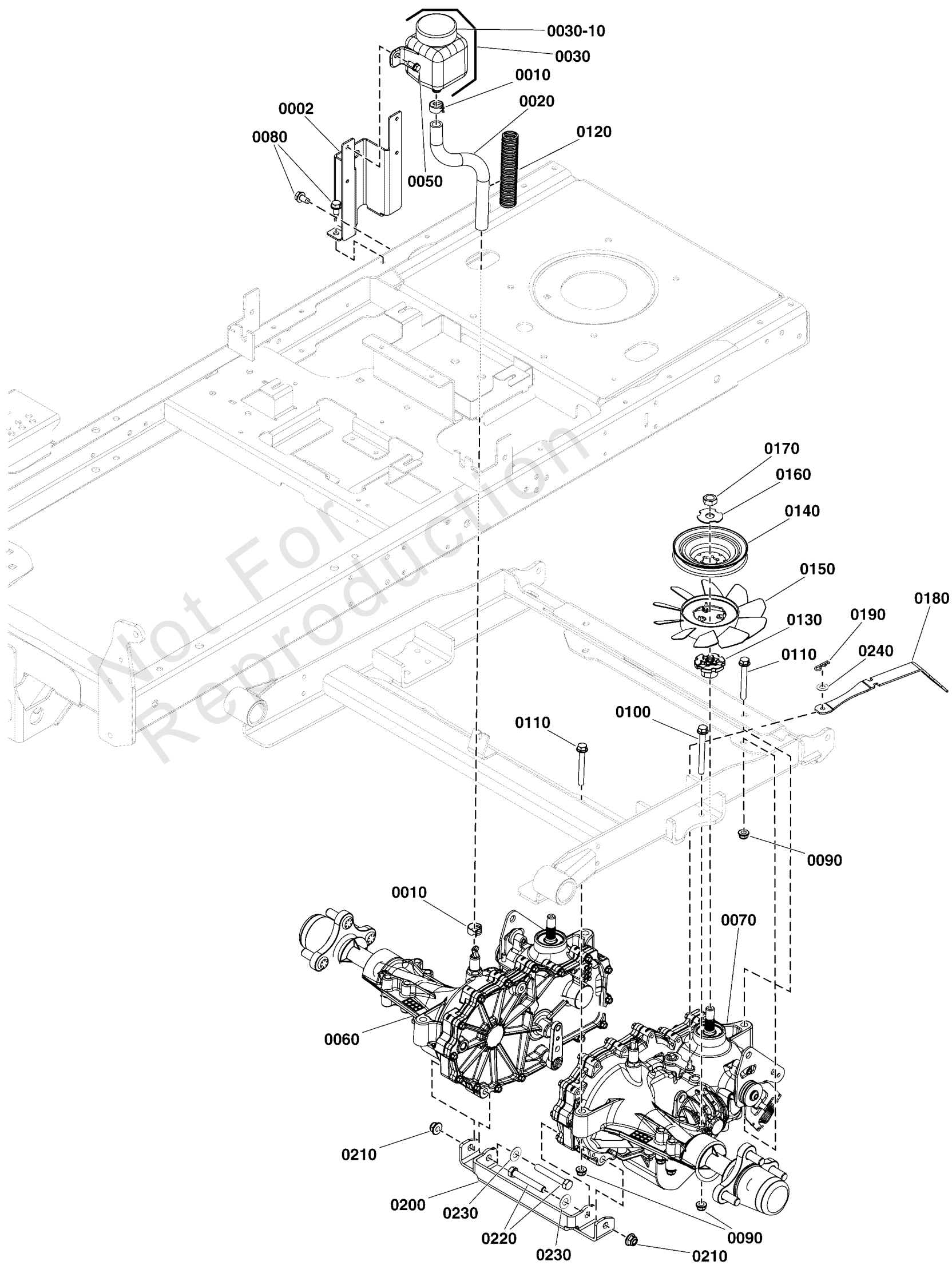
## Fuel Tank and Mount Group S/N: 2018115602 and Above

REF NO	PART NO	QTY	DESCRIPTION
0010	5105496	1	TANK, FUEL, LH
0010-10	5101149	1	PICKUP TUBE ASM, FUEL TANK, 22"
0010-20	1726400	1	BUSHING-FUEL TANK RED RUBBER
0010-30	209043	1	GROMMET (SV)
0010-40	80019626	1	ASSY., REMOTE VENT - NO VALVE
0010-50	5022917	1	GAUGE, FUEL, 12
0010-60	5022917X1	1	GROMMET, FUEL GAUGE (SV)
0020	5105497	1	TANK, FENDER, RH
0030	5025011X6	16	BOLT, 5/16-18 X 3/4 GD5 -(Qty: 18 - Serial Number 4001863159 and below)
0040	5025292	16	WASHER, 5/16 GRADE 9, FLAT -(Qty: 18 - Serial Number 4001863159 and below)
0050	5025170	10	WASHER, 5/16 LOCK CZ -(Qty: 12 - Serial Number 4001863159 and below)
0060	5103005	1	FUEL CAP, 3-1/2", MANAGED VENT OUT, 12"
0070	5400250B	2	PLATE, BADGE - IS1500 - RED
0080	5025386	6	SCREW, Allen Head, #10-24 x 3/8"
0090	5416739A	2	WELD, TANK MOUNT, F400Z - BLK
0100	5417909A	1	PLATE, REAR TANK MOUNT - BLK -(Serial Number 4001863159 and below)
0100	5421530AA	1	PLATE, REAR TANK MOUNT, LH - BLK -(Serial Number 4001863160 and above)
0110	5025392	8	NUT, 5/16-18 HEX NYLOCK FLANGE NUT
0120	5416687B	1	PLATE, TANK MOUNT CENTER SUPPORT - RED
0130	80005404	2	SCREW, 5/16-18X0.625, WSHR, THD-ROLL, ZC/CL
0140	5417910A	1	PLATE, REAR TANK MOUNT - BLK -(Serial Number 4001863159 and below)
0140	5421531AA	1	PLATE, REAR TANK MOUNT, RH - BLK -(Serial Number 4001863160 and above)
0150	5025145X6	2	BOLT, 5/16-18 X 3/4, CARRIAGE, GD5, CZ
0160	5025498	2	5/16" PUSH-ON NUT RETAINER, STL, CZ

# Hydraulic Group - Export - S/N: 400034138 & Below

Note: Unless noted otherwise, use the standard torque specifications

Mfg. No: 5901990



## Hydraulic Group - Export - S/N: 400034138 & Below

REF NO	PART NO	QTY	DESCRIPTION
0002	5416652A	2	PLATE, HYDRO RES. MOUNT - BLK
0010	5025474	4	CLAMP, HOSE, .75 FREE DIA.
0020	5050857X9P5	2	HOSE, 1/2 PUSH-LOCK, 9.50
0030	5100473	2	RESERVOIR, HYDRO OIL, 350 ML
0030-10	5100778X1	2	RESERVIOR CAP
0050	80004190	4	SCREW, Hex Washer Head, Thread Roll, 1/4-20 x 5/8
0060	5106101	1	TRANSAXLE, ZT3100, RH, ZJ-LPEE-3F7C-39LX -(Refer to Note: *) (S/N: 40015467047 and below)
0060	5109250	1	TRANSAXLE, ZT-3100, RH, ZJ-LPEE-SF7C-39LX -(Refer to Note: *) (S/N: 40015467048 and above)
0070	5106102	1	TRANSAXLE, ZT3100, LH, ZJ-HPEE-3F7B-29LX -(Refer to Note: *) (S/N: 40015467047 and below)
0070	5109249	1	TRANSAXLE, ZT-3100, LH, ZJ-HPEE-SF7B-29LX -(Refer to Note: *) (S/N: 40015467048 and above)
0080	80005404	6	SCREW, 5/16-18X0.625, WSHR, THD-ROLL, ZC/CL
0090	5025392	12	NUT, 5/16-18 HEX NYLOCK FLANGE NUT
0100	80008909	8	SCREW, HEX WASHER HD-5/16-18X3.00
0110	80018048	4	SCREW, HEX WASHER HD-5/16-18X2.50
0120	5050862X5	2	WIRE LOOM, 3/4 ID X 5 IN
0130	1759450	2	SPACER, TRANSMISSION INPUT -(Service part for transmission)
0140	1759447	2	PULLEY, TRANSMISSION INPUT (4.50") -(Service part for transmission)
0150	1759449	2	FAN, 7" CCW INPUT (WHITE) -(Service part for transmission)
0160	5102914	2	WASHER, ZT5400, SLOTTED -(Service part for transmission)
0170	5102916	2	NUT, ZT5400 -(Service part for transmission)
0180	1759276A	2	VALVE, TOW (2800 SUSP) (BLACK)
0190	80003663	2	HAIRPIN.080 WIRE 1.19LG.25DIA,ZINC/CLEAR
0200	1759172A	1	BRKT, FRONT TRANS SUPPORT (2800)(BLACK)
0210	5025394	2	NUT, 3/8 - 16 HEX NYLOCK FLANGE
0220	5025013X20	2	BOLT, 3/8-16 X 2-1/2" GD5 CZ
0230	5025156	2	WASHER, 3/8 SAE
0240	5025154	2	WASHER, 1/4 SAE

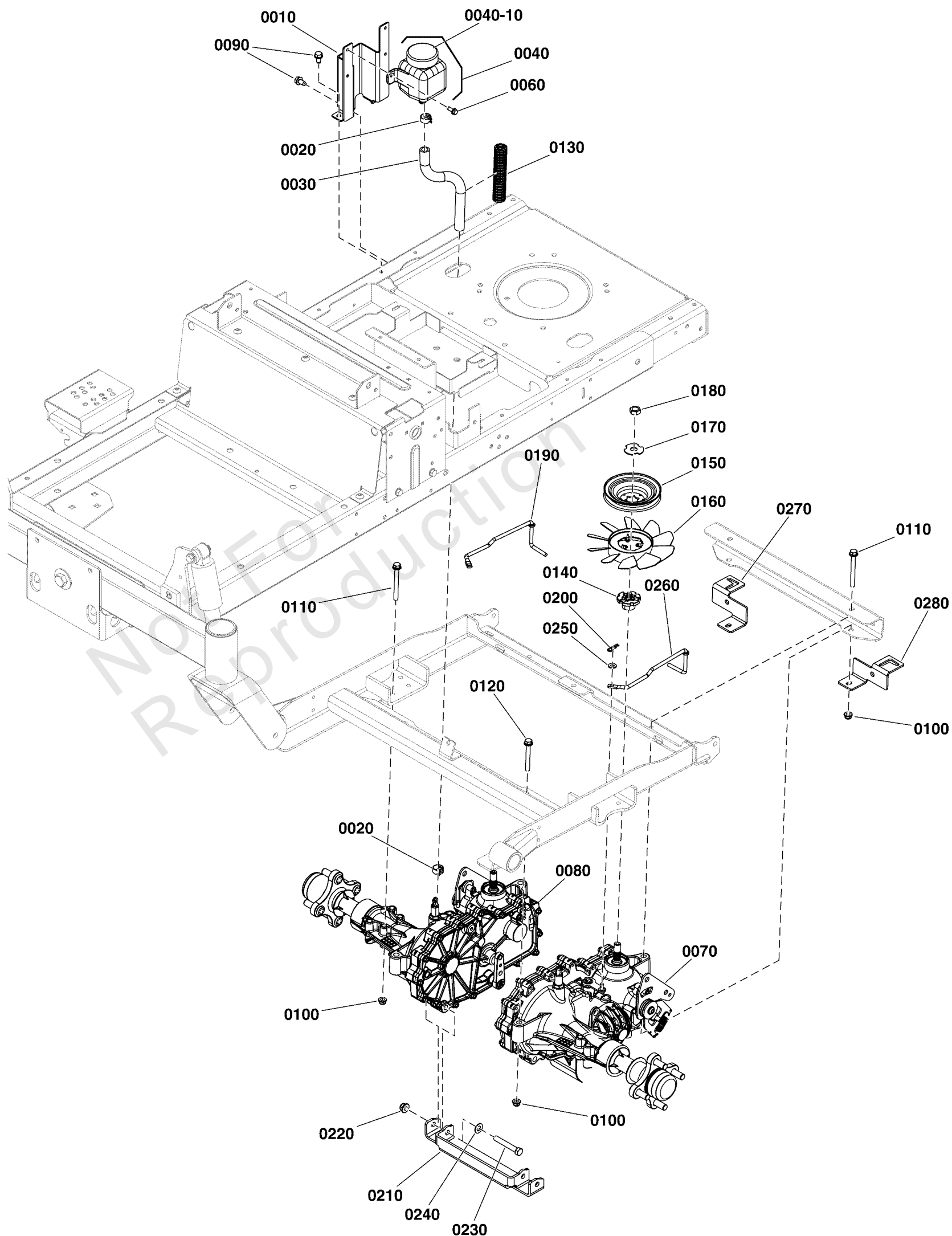
### Footnotes:

Note : \* Includes items #0130-0170.

# Hydraulic Group - Export - S/N: 400034139 & Above

Note: Unless noted otherwise, use the standard torque specifications

Mfg. No: 5901990



## Hydraulic Group - Export - S/N: 400034139 & Above

REF NO	PART NO	QTY	DESCRIPTION
0010	5416652AA	2	PLATE, HYDRO RES. MOUNT - BLK
0020	5025474	4	CLAMP, HOSE, .75 FREE DIA.
0030	5050857X9P5	2	HOSE, 1/2 PUSH-LOCK, 9.50
0040	5100473	2	RESERVOIR, HYDRO OIL, 350 ML
0040-10	5100778X1	2	RESERVIOR CAP
0060	80004190	4	SCREW, Hex Washer Head, Thread Roll, 1/4-20 x 5/8
0070	5106102	1	TRANSAXLE, ZT3100, LH, ZJ-HPEE-3F7B-29LX -(Refer to Note: *) (S/N: 4001547047 and below)
0070	5109249	1	TRANSAXLE, ZT-3100, LH, ZJ-HPEE-SF7B-29LX -(Refer to Note: *) (S/N: 4001547048 and above)
0080	5106101	1	TRANSAXLE, ZT3100, RH, ZJ-LPEE-3F7C-39LX -(Refer to Note: *) (S/N: 4001547047 and below)
0080	5109250	1	TRANSAXLE, ZT-3100, RH, ZJ-LPEE-SF7C-39LX -(Refer to Note: *) (S/N: 4001547048 and above)
0090	80005404	6	SCREW, 5/16-18X0.625, WSHR, THD-ROLL, ZC/CL
0100	5025392	12	NUT, 5/16-18 HEX NYLOCK FLANGE NUT
0110	80008909	10	SCREW, HEX WASHER HD-5/16-18X3.00
0120	80018048	2	SCREW, HEX WASHER HD-5/16-18X2.50
0130	5050862X5	2	WIRE LOOM, 3/4 ID X 5 IN
0140	1759450	2	SPACER, TRANSMISSION INPUT -(Service part for transmission)
0150	1759447	2	PULLEY, TRANSMISSION INPUT (4.50") -(Service part for transmission)
0160	1759449	2	FAN, 7" CCW INPUT (WHITE) -(Service part for transmission)
0170	5102914	2	WASHER, ZT5400, SLOTTED -(Service part for transmission)
0180	5102916	2	NUT, ZT5400 -(Service part for transmission)
0190	5106395	1	ROD, TOW RELEASE, RH
0200	80003663	2	HAIRPIN.080 WIRE 1.19LG.25DIA,ZINC/CLEAR
0210	1759172AA	1	NLA -BRKT, FRONT TRANS SUPPORT(2800)(BLK)
0220	5025394	2	NUT, 3/8 - 16 HEX NYLOCK FLANGE
0230	5025013X20	2	BOLT, 3/8-16 X 2-1/2" GD5 CZ
0240	5025156	2	WASHER, 3/8 SAE
0250	5025154	2	WASHER, 1/4 SAE
0260	5106396	1	ROD, TOW RELEASE, LH
0270	5417674AA	1	BRKT, TOW RELEASE CATCH, RH - BLK
0280	5417675AA	1	BRKT, TOW RELEASE CATCH, LH - BLK

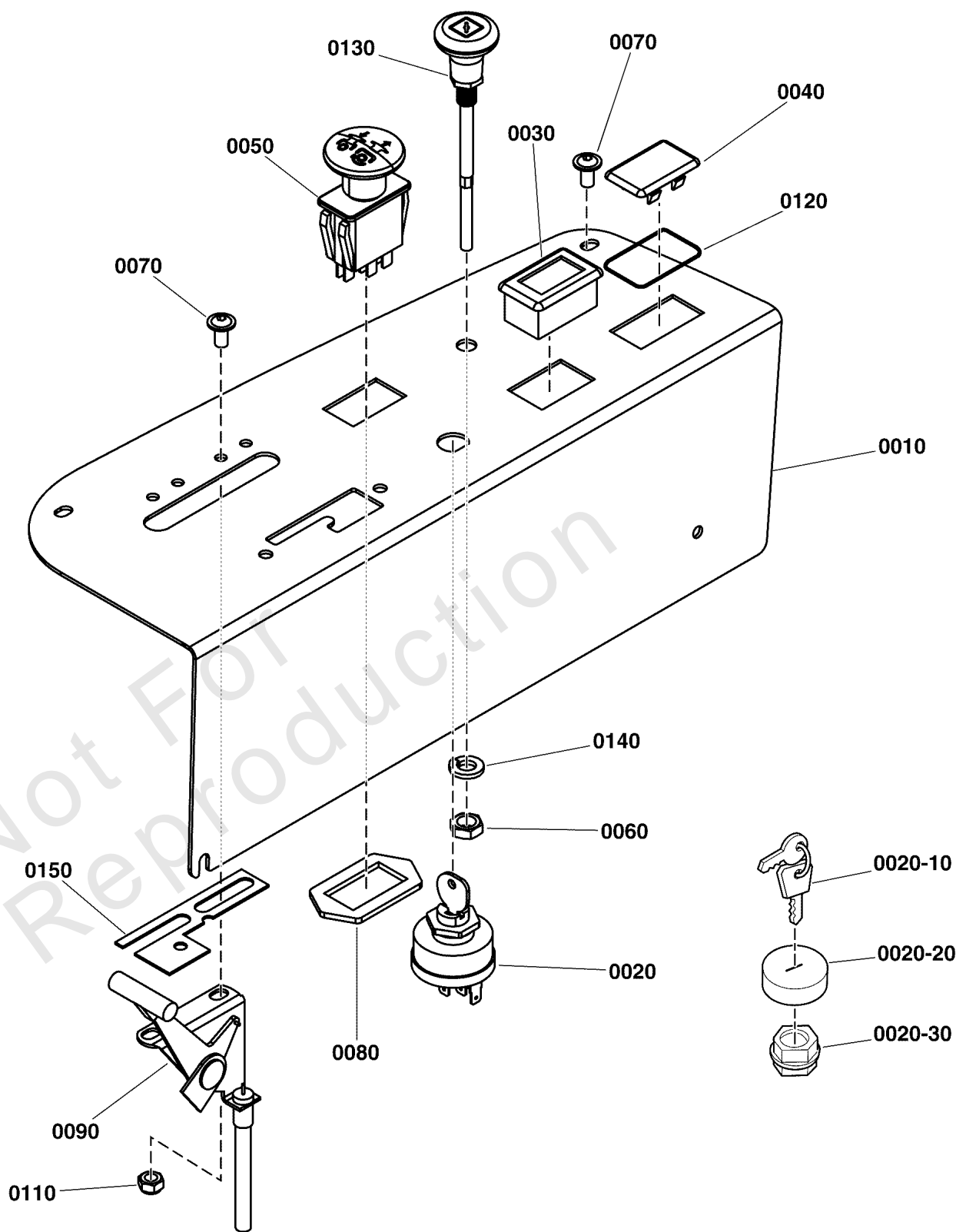
### Footnotes:

Note : \* Includes items #0140-0180.

# Instrument Control Panel Group (Export Models)

Note: Unless noted otherwise, use the standard torque specifications

Mfg. No: 5901990



### ***Instrument Control Panel Group (Export Models)***

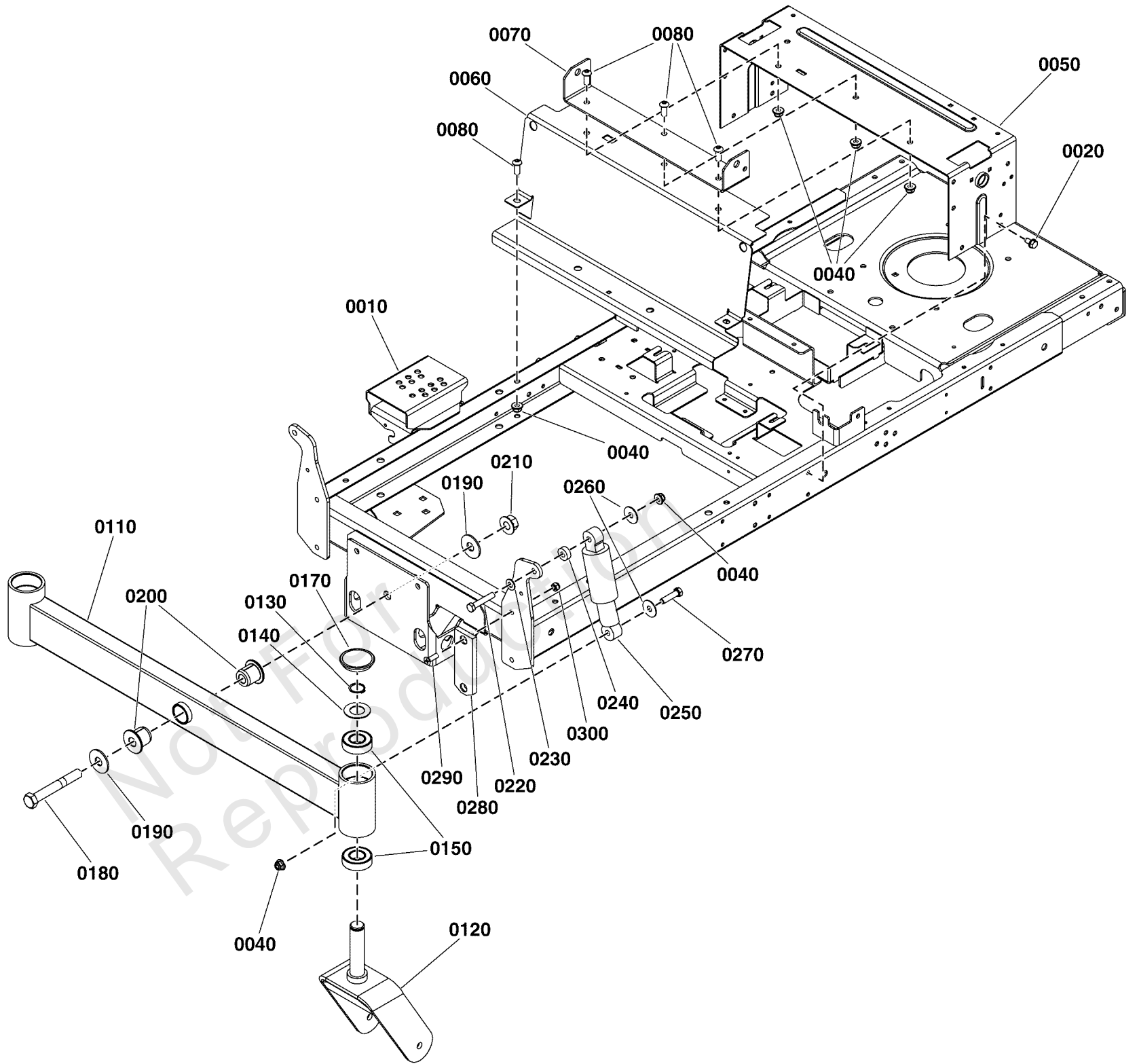
<b>REF NO</b>	<b>PART NO</b>	<b>QTY</b>	<b>DESCRIPTION</b>
0010	5416689A	1	PLATE, DASH PANEL, R-SERIES - BLK
0020	5020927	1	SWITCH, IGNITION, 6 POST
0020-10	5022789	1	KEY, IGNITION MOLDED SET
0020-20	5022790	1	COVER, PLASTIC, SNAP ON
0020-30	5022791	1	PLASTIC NUT
0030	84008510	1	HOURMETER
0040	1722611	1	PLUG, Hole (Black Plastic)
0050	1722887	1	SWITCH-PTO PUSH
0060	5025309	1	NUT, 3/8-24 Hex Jam
0070	5025299X4	5	SCREW, ALLEN HEAD 1/4-20X.500 ZINC PHOS
0080	5022222	1	RING, SWITCH RETAINER
0090	5048231	1	CABLE, Throttle Control, 40"
0110	5025095	2	NUT, 1/4-20 HEX NYLON LOCK
0120	5022269	1	O-RING, 7/8" ID X 1/16" W
0130	5047143	1	CABLE, CHOKE CONTROL, 39.5"
0140	5025171	1	WASHER, 3/8" SPLIT LOCK
0150	-----	1	PLATE, THROTTLE STOP, SW35

Not For Reproduction

# Main Frame & Front Suspension Group

Note: Unless noted otherwise, use the standard torque specifications

Mfg. No: 5901990





## Main Frame & Front Suspension Group

REF NO	PART NO	QTY	DESCRIPTION
0010	-----	1	WELD, MAIN FRAME, F400Z - RED -(Refer to Note: *)
0020	80005404	4	SCREW,5/16-18X0.625,WSHR,THD-ROLL,ZC/CL
0040	5025394	9	NUT, 3/8 - 16 HEX NYLOCK FLANGE
0050	1758010B	1	BRKT, CONTROL - RED
0060	1757796B	1	BRKT, BRAND PLATE - RED
0070	5416789B	1	PLATE, SEAT PLATE PIVOT
0080	80087701	5	SCREW, 3/8-16 X .88 PAN HD TORX
0110	1761505B	1	WELDMENT, FRONT AXLE - PIVOTING (FER RED
0120	1761504B	2	WELDMENT,FRONT CASTER (PIV AXLE)(FER RED -(S/N: 4000771923 and below)
0120	80081658B	2	WELDMENT, FRONT CASTER - RED -(S/N: 4000771924 and above)
0130	80005606	2	RETAINER,1.000,EXT RING,ZINC/CLEAR
0140	80004282	2	WASHER,1.017IDX1.812ODX0.6THK,FLAT,ZC/CL
0150	1758354	4	BEARING, 25 MM ID
0170	5109884	2	CAP, GREASE, LOW PROFILE
0180	80012496	1	BOLT, HEX HD 5/8-11 X 4.50 G5
0190	1960035	2	WASHER, 0.64 I.D. x 1.75 O.D. x .11 Thick, Black
0200	1759234	2	BUSHING, FLANGED - AXLE
0210	80026832	1	NUT-HEX FLANGE 5/18-11 TWO WAY LOCK ZC/CL
0220	80003522	2	HHCS, 3/8-16 X 2.00, GR5, ZINC/CLEAR
0230	5025156	2	WASHER, 3/8 SAE
0240	1667811	2	SPACER-0.390ID 0.90 OD 0.34 LG P'MTL YEL
0250	1755279	2	SHOCK ABSORBER, 8" LENGTH
0260	5025165	4	WASHER, 3/8" Fender
0270	80004479	2	* CAPSCREW, Hex Head, 3/8-16 X 1-1/2, GR5
0280	1759391	2	PAD, FRICTION - 1.75 X 5.03
0290	5025594	4	SCREW, 5/16-18 X 1, PHILLIPS HD, BZ
0300	5025057	4	NUT, Hex, Nylon Locking, 5/16-18

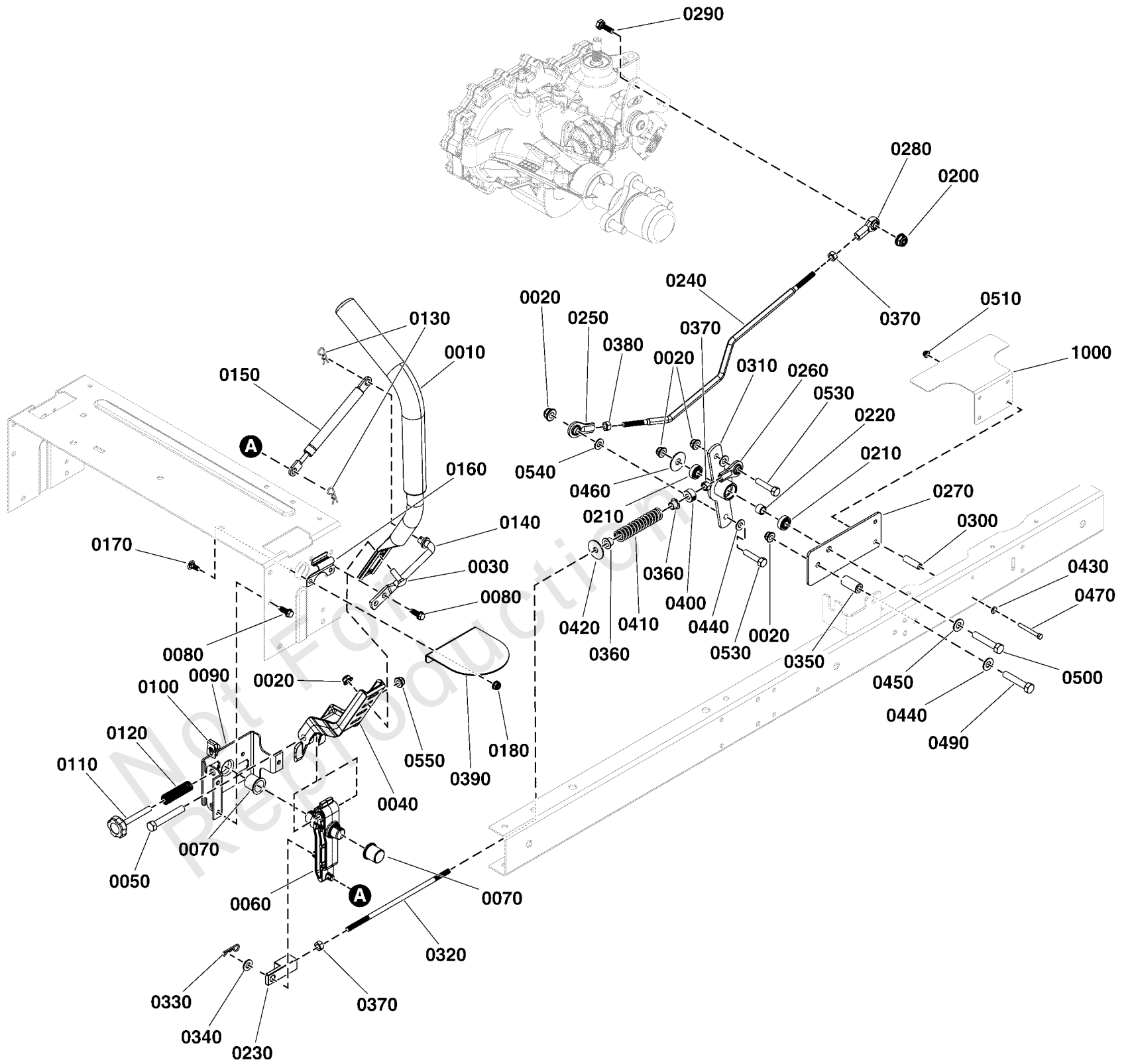
### Footnotes:

Note: \*If frame is damaged, call 1-800-933-6175 ext. 709

# Motion Control Group (Export Models)

Note: Unless noted otherwise, use the standard torque specifications

Mfg. No: 5901990



## Motion Control Group (Export Models)

REF NO	PART NO	QTY	DESCRIPTION
0010	1758372	2	HANDLE, CONTROL W/ GRIP
0020	5025392	8	NUT, 5/16-18 HEX NYLOCK FLANGE NUT
0030	80004473	4	BOLT,5/16-18X1.000,ROUND HD CRRG,ZC/CL
0040	1757965	2	ARM, UPPER CONTROL
0050	5025013X20	2	BOLT, 3/8-16 X 2-1/2" GD5 CZ
0060	1757964	2	ARM, LOWER CONTROL
0070	2176440	4	BUSHING-0.765ID 0.885OD 0.877LG NYLON
0080	80005404	10	SCREW,5/16-18X0.625,WSHR,THD-ROLL,ZC/CL
0090	1758087A	2	BRKT, INNER CONTROL PIVOT (BLACK)
0100	1960717	2	NUT, 5/16-18 Speed (Lug Type .050/.200, Black)
0110	1758373	2	KNOB, 5/16-18 X 2.50" STUD
0120	1650347	2	SPRING-COMP 0.50 IDX 02.328LG .063WIRE D
0130	5025211	4	PIN, HAIR, .0585 X 1-1/8, 1/4 EYE, YZ
0140	1758463	2	ROD, DAMPNER MNT
0150	5105587	2	DAMPENER, 18MM X 70MM
0160	1759182	2	LATCH, CONTROL ARM
0170	80003579	4	BOLT,1/4-20X.75,GR5,RH SH SQ NK,ZNC/CLR
0180	5025391	4	NUT, 1/4-20 Hex Nylock Flange
0200	5025057	2	NUT, Hex, Nylon Locking, 5/16-18
0210	5102003	4	BEARING, .375" ID X .875" OD X .341" THK
0220	5103676	2	SPACER, .39 X .55 X .38, PM, CZ
0230	5105515	2	EYE END, .385 HOLE, 5/16-24 THREAD
0240	5105513	2	ROD, LOWER CONTROL, PUMP DRIVE
0250	5104579	2	BALL JOINT 5/16-24 LH FEMALE STAMPED STL
0260	5104578	2	BALL JOINT 5/16-24 RH FEMALE STAMPED STL
0270	5416729B	2	PLATE, CONTROL PIVOT MOUNT - RED
0280	5104493	2	BALL JOINT 5/16-24 RH FEMALE BRONZE RACE
0290	5105551	2	BOLT, 7/16 X 1/8 SHLD 5/16-18 X 3/4 THRD
0300	5101215	4	SPACER, .26 X .38 X 1.250, YZ
0310	5416759A	2	WELD, CONTROL PIVOT, 400 - BLK
0320	5104053	2	ROD, 5/16-24 RH & LH, 8.75" CZ
0330	----	2	PIN, 3/32 X 1.600, HAIR, ZINC/CLEAR
0340	80003621	2	WSHR,.406X.875X.083FLT,TYPE A,ZINC/CLEAR
0350	5102599	2	SPACER, .38 X .75 X 1.25, PM, CZ
0360	5102773	4	BUSHING, .38ID X .47 OD X .38L, FL
0370	5025033	6	NUT, Hex, 5/16-24
0380	5023212	2	NUT, 5/16-24 HEX, LH
0390	5416898A	2	PLATE, CONTROL ARM GUARD - BLK
0400	5020047	2	COLLAR, 5/16" Set
0410	5022645	2	SPRING, REVERSE RETURN
0420	5025337	2	WASHER, 5/16" USS
0430	5025154	4	WASHER, 1/4 SAE
0440	5025155	4	WASHER, 5/16" SAE
0450	5025156	2	WASHER, 3/8 SAE
0460	5025165	2	WASHER, 3/8" Fender
0470	5025010X18	4	BOLT, 1/4-20 X 2-1/4 GD5 CZ
0490	5025011X18	2	BOLT, 5/16-18 X 2-1/4" GD5 YZ
0500	5025013X16	2	BOLT, 3/8-16 X 2, GD5, CZ
0510	5025391	4	NUT, 1/4-20 Hex Nylock Flange
0530	5025011X10	4	BOLT, 5/16-18 X 1-1/4" GD5 YZ
0540	5025292	4	WASHER, 5/16 GRADE 9, FLAT



***Motion Control Group (Export Models)***

---

REF NO	PART NO	QTY	DESCRIPTION
0550	5025096	2	NUT, 3/8-16 HEX NYLON LOCK
1000	-----	1	Refer to: CE Guarding Group

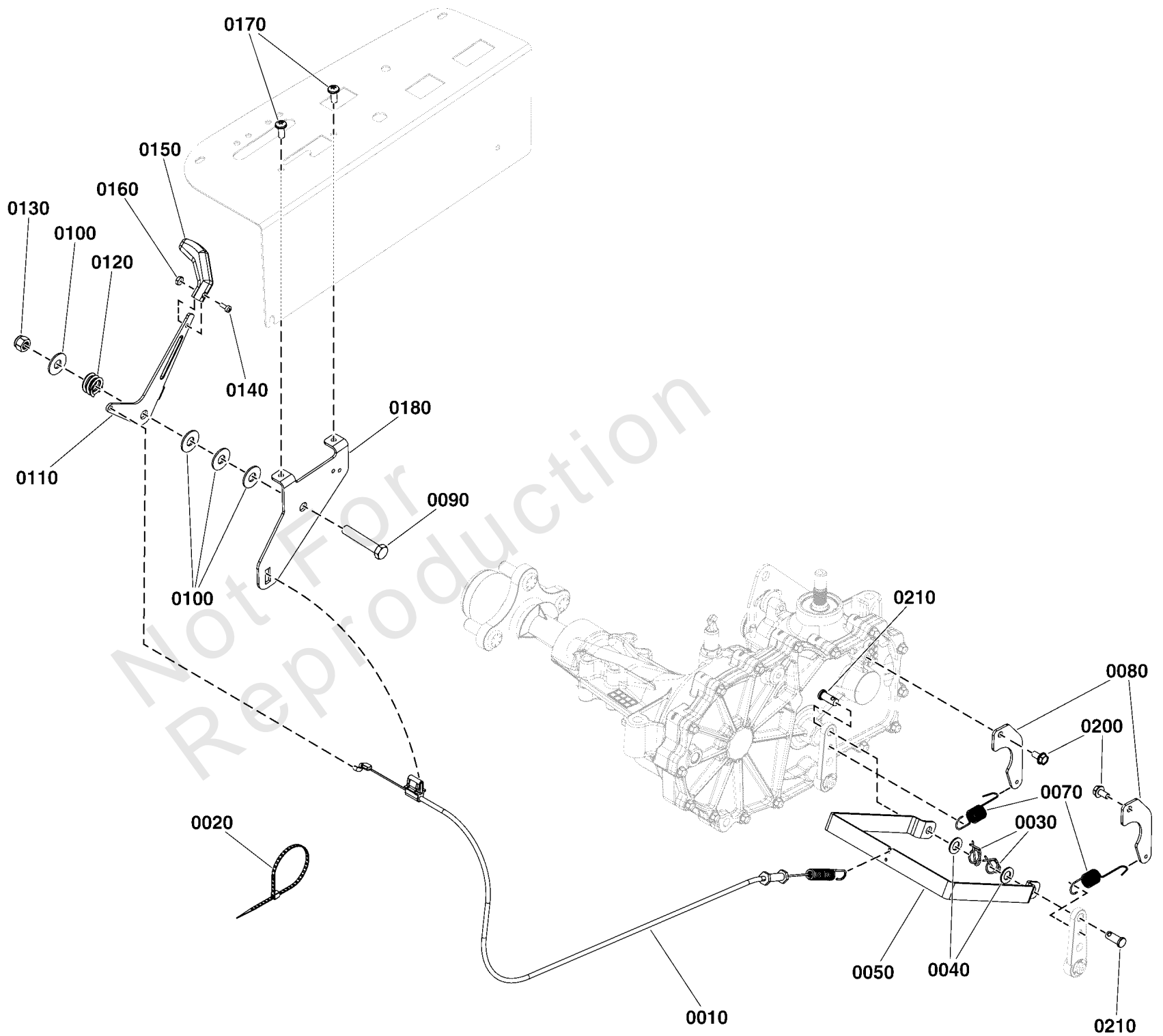
---

Not For Reproduction

# Parking Brake Group

Note: Unless noted otherwise, use the standard torque specifications

Mfg. No: 5901990



## Parking Brake Group

REF NO	PART NO	QTY	DESCRIPTION
0010	1759207	1	CABLE, PARKING BRAKE
0020	-----	2	TIE, 7, Self Lock
0030	80004458	2	COTTER PIN, 3/8 SELF LOCKING, CLEAR/ZINC
0040	5025155	2	WASHER, 5/16" SAE
0050	1758127A	1	ARM, PARKING BRAKE (2800)(BLACK)
0070	1758283	2	SPRING, EXTENSION
0080	1759362	2	BRKT, BRAKE SPRING (2800)
0090	80003522	1	HHCS, 3/8-16 X 2.00, GR5, ZINC/CLEAR
0100	5025401	4	WASHER, 3/8" USS
0110	7301074	1	LEVER, Brake, Park
0120	7028036	1	SPRING, Friction Pack
0130	5025096	1	NUT, 3/8-16 HEX NYLON LOCK
0140	7091017	1	SCREW, #8-32 x 3/8" Curved Machine
0150	5105706	1	KNOB, BRAKE, BLACK, PLASTIC
0160	80004411	1	NUT #8-32 HEX ZINC/CLEAR
0170	7090999	2	SCREW, 1/4-20 x 5/8" Pan Head Self-Tap (Torx)
0180	1759968A	1	BRACKET, LEVER, PARK BRAKE-BLACK
0200	80018295	2	SCREW, TAPTITE, M6 X 1.0-12 LG
0210	7014779	2	CLEVIS PIN





## Rear Bumper Group

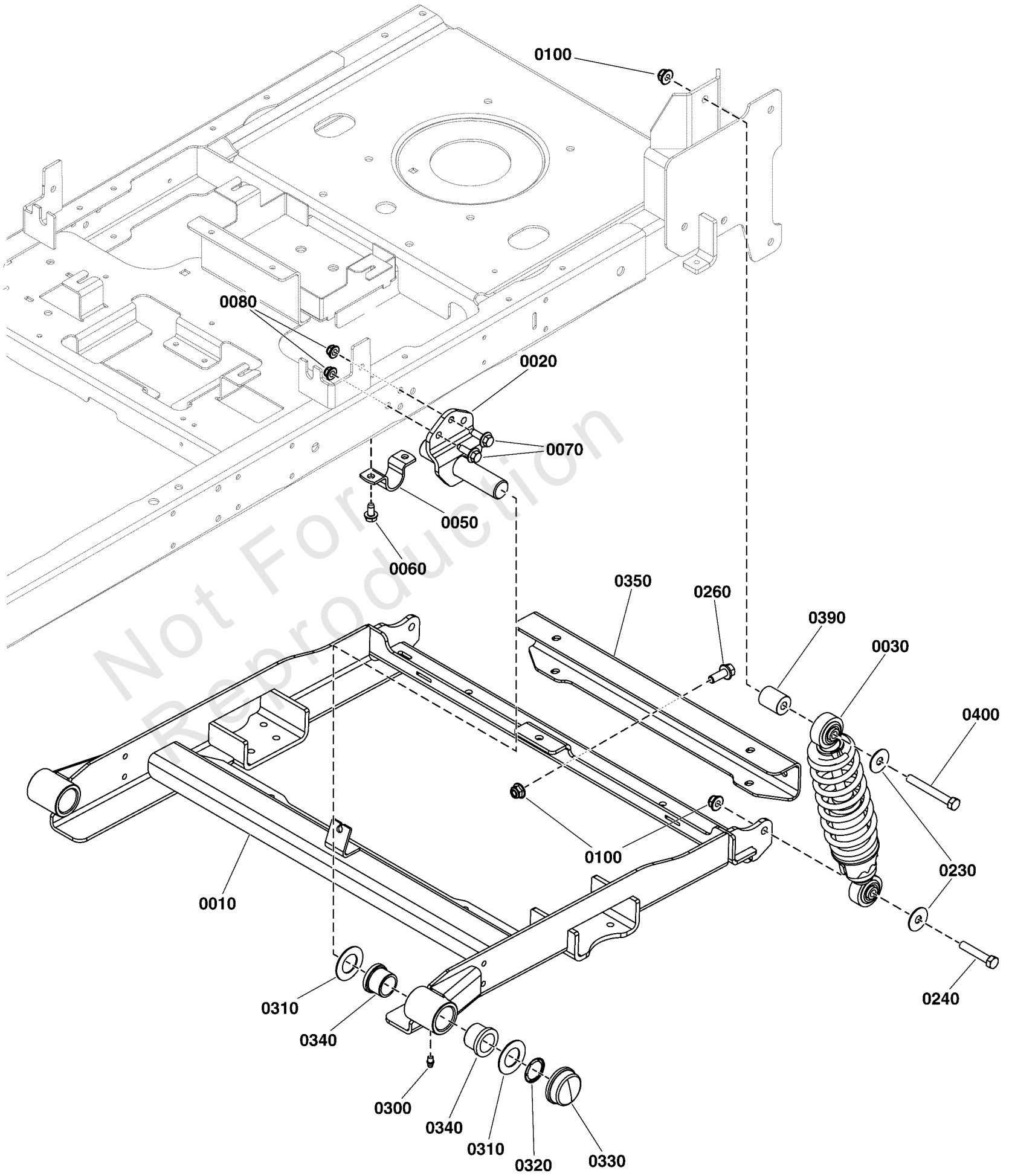
REF NO	PART NO	QTY	DESCRIPTION
0020	5025392	12	NUT, 5/16-18 HEX NYLOCK FLANGE NUT
0030	1664847CA	2	SCREW-HEX WSHR HD TAPTT5/16-18X0.750
0040	5416637B	1	WELD, REAR BUMPER MOUNT LH, FERRIS - RED
0050	5416636B	1	WELD, REAR BUMPER MOUNT RH, FERRIS - RED
0060	5416630B	1	WELD, SHORT REAR BUMPER, FR 3 TUBE - RED
0080	5416635B	1	PLATE, MUFFLER SHIELD - RED
0090	5416726B	1	PLATE, CARB GUARD - RED
0100	5023484	6	PLUG, PANEL, 1.25 - BLACK
0110	-----	10	BOLT,5/16-18X1.000,SRRTD FLANGE,GR5,ZC/C
0120	-----	2	RHSSNB,5/16-18 X 3/4 GR5 ZINC/CLEAR
0140	5025390X8	4	BOLT, 3/8-16 X 1, FLANGE, GD 5, CZ
0150	5025394	4	NUT, 3/8 - 16 HEX NYLOCK FLANGE
0160	5022673	2	BUMPER, RUBBER, 1/4-20
0170	5025126	2	NUT, 1/4-20 HEX SERR. FLANGE

Not For Reproduction

# Rear Suspension Group

Note: Unless noted otherwise, use the standard torque specifications

Mfg. No: 5901990



## Rear Suspension Group

REF NO	PART NO	QTY	DESCRIPTION
0010	84007764	1	CRADLE, Suspension
0020	1758716B	2	WELDMENT, REAR SWING ARM PIVOT - RED
0030	5103624	2	SHOCK ABSORBER, IS600
0050	1720147	2	STRAP 1.00 DIA. SHAFT
0060	80005404	4	SCREW,5/16-18X0.625,WSHR,THD-ROLL,ZC/CL
0070	80020384	4	SCREW-HEX WZ LOCK FLNG 5/16-18 X1.00 DOG
0080	5025392	4	NUT, 5/16-18 HEX NYLOCK FLANGE NUT
0100	5025394	7	NUT, 3/8 - 16 HEX NYLOCK FLANGE
0230	5025165	4	WASHER, 3/8" Fender
0240	80003522	2	HHCS, 3/8-16 X 2.00, GR5, ZINC/CLEAR
0260	5025390X8	3	BOLT, 3/8-16 X 1, FLANGE, GD 5, CZ
0300	1704314	2	LUBE FITTING, 1/4 Drive , Check Ball
0310	80004282	4	WASHER,1.017IDX1.812ODX0.6THK,FLAT,ZC/CL
0320	80004283	2	PUSH NUT, FLAT 1.00 SHAFT, PHOS/OIL
0330	721318	2	CAP, Hub
0340	1758717	4	BUSHING, FLANGE, 1.00 X 1.00 LG, PLASTIC
0350	1759163B	1	BRKT, REAR TRANS SUPPORT - RED
0390	5103427	2	SPACER, .39 X 1.00 X 1.25, PM, CZ
0400	5025013X24	2	BOLT, 3/8-16 X 3" GD5 CZ

# Seat Mount & Floor Group S/N: 400034138 & Below

Note: Unless noted otherwise, use the standard torque specifications

Mfg. No: 5901990

## Seat Service Parts:

0200-10 - 4" Track Assembly w/ Hardware

0200-20 - Back Assembly

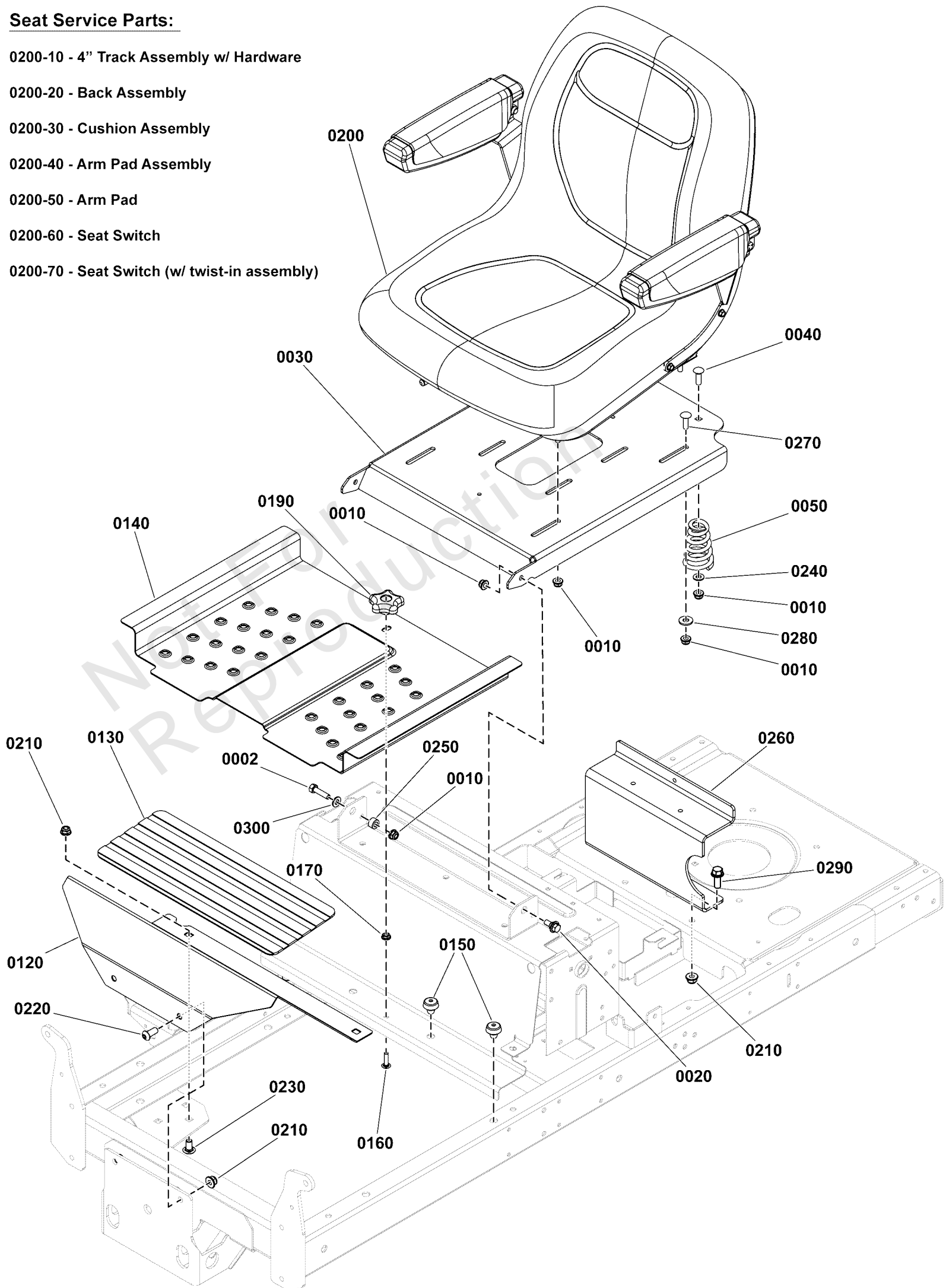
0200-30 - Cushion Assembly

0200-40 - Arm Pad Assembly

0200-50 - Arm Pad

0200-60 - Seat Switch

0200-70 - Seat Switch (w/ twist-in assembly)



## Seat Mount & Floor Group S/N: 400034138 & Below

REF NO	PART NO	QTY	DESCRIPTION
0002	5025011X8	2	BOLT, 5/16-18 X 1" GRD5 YZ
0010	5025392	11	NUT, 5/16-18 HEX NYLOCK FLANGE NUT
0020	1752802	2	BOLT, Shoulder, 5/16-18 x 1
0030	1760194B	1	SLIDE, SEAT (FER RED)
0040	5025145X8	2	BOLT, 5/16-18 X 1, CARRIAGE, GD5, CZ
0050	5108276	2	SPRING, SEAT, BLACK E-COAT
0120	1759278B	1	FOOTREST,PIVOTING AXLE (NO EXT)(FER RED)
0130	5101374	1	SAFETY WALK, FLOOR REST, 16.00 X 6.00
0140	5601196	1	FOOT PAN W/DECAL, EXPORT (1757813B)
0150	197546	6	MNT, VBRTN, RBBR
0160	7090496	1	BOLT, 1/4-20 x 1" Grade 2 Short Neck Carriage
0170	5025126	1	NUT, 1/4-20 HEX SERR. FLANGE
0190	80008144	1	KNOB, HNDL, 5 PRONG
0200	5105039	1	SEAT, 907 WITH ARM RESTS W/ SWITCH
0200-10	5104741X1	1	4" SL TRACK SET - 9" FLAT - W/HDWR
0200-20	5104741X3	1	BACK ASSEMBLY FOR 907
0200-30	5104741X4	1	CUSHION ASSEMBLY FOR 907
0200-40	5104681X3	1	LEFT AND RIGHT HAND ARM ASSEMBLIES, CI3 SEAT
0200-50	5104681X4	1	ARM PAD, C13 SEAT
0200-60	7023354	1	SWITCH, SEAT
0200-70	5100541	1	SWITCH, NC, W/ TWIST-IN BASE
0210	5025394	6	NUT, 3/8 - 16 HEX NYLOCK FLANGE
0220	80087701	2	SCREW, 3/8-16 X .88 PAN HD TORX
0230	80003585	2	BOLT,3/8-16X.75,GR5,CARRIAGE,ZC/CL
0240	5025155	2	WASHER, 5/16" SAE
0250	5103767	2	SPACER, .33 X .63 X .36, PM, CZ
0260	5416725A	1	PLATE, SEAT SUPPORT - BLK
0270	80004565	1	BOLT,5/16-18X1.000,SHORT NECK CRRG,ZC/CL -(To limit seat travel)
0280	5025337	1	WASHER, 5/16" USS
0290	5025390X8	2	BOLT, 3/8-16 X 1, FLANGE, GD 5, CZ
0300	80003621	2	WSHR,.406X.875X.083FLT,TYPE A,ZINC/CLEAR

# Seat Mount & Floor Group S/N: 400034139 to 4000875836

Note: Unless noted otherwise, use the standard torque specifications

Mfg. No: 5901990

## Seat Service Parts:

0200-10 - 4" Track Assembly w/ Hardware

0200-20 - Back Assembly

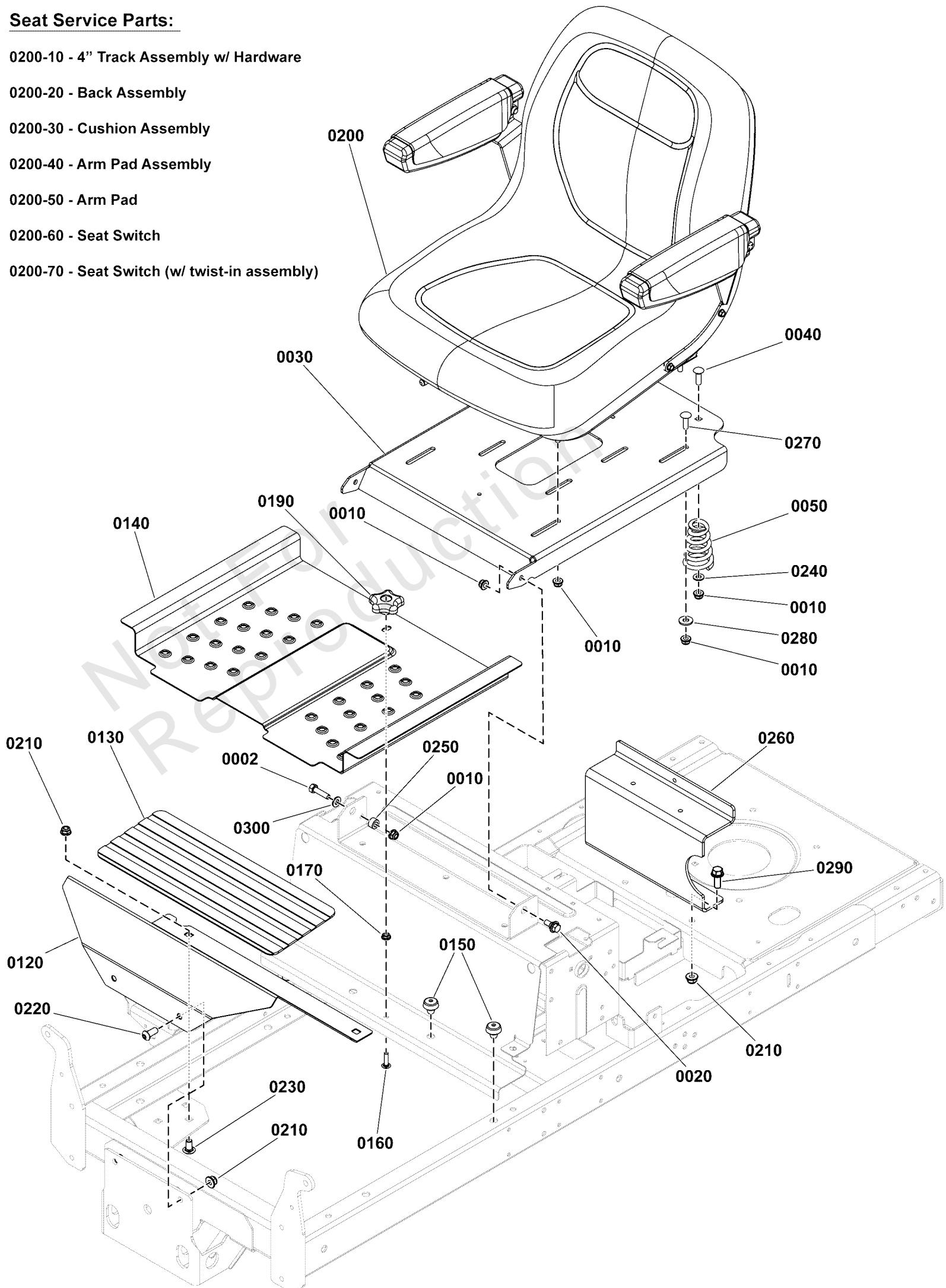
0200-30 - Cushion Assembly

0200-40 - Arm Pad Assembly

0200-50 - Arm Pad

0200-60 - Seat Switch

0200-70 - Seat Switch (w/ twist-in assembly)



## Seat Mount & Floor Group S/N: 400034139 to 4000875836

REF NO	PART NO	QTY	DESCRIPTION
0002	5025011X8	2	BOLT, 5/16-18 X 1" GRD5 YZ
0010	5025392	11	NUT, 5/16-18 HEX NYLOCK FLANGE NUT
0020	1752802	2	BOLT, Shoulder, 5/16-18 x 1
0030	1760194B	1	SLIDE, SEAT (FER RED)
0040	5025145X8	2	BOLT, 5/16-18 X 1, CARRIAGE, GD5, CZ
0050	5108276	2	SPRING, SEAT, BLACK E-COAT
0120	1759278B	1	FOOTREST,PIVOTING AXLE (NO EXT)(FER RED)
0130	5101374	1	SAFETY WALK, FLOOR REST, 16.00 X 6.00
0140	5601199	1	FOOT PAN W/DECAL, EXPORT 2019 (1757813B)
0150	197546	6	MNT, VBRTN, RBBR
0160	7090496	1	BOLT, 1/4-20 x 1" Grade 2 Short Neck Carriage
0170	5025126	1	NUT, 1/4-20 HEX SERR. FLANGE
0190	80008144	1	KNOB, HNDL, 5 PRONG
0200	5106754	1	SEAT, 907, W/ARM REST, W/SWITCH, NO BEAD
0200-10	5104741X1	1	4" SL TRACK SET - 9" FLAT - W/HDWR
0200-20	5106754X1	1	SEAT BACK ASSEMBLY, 186693VN1328
0200-30	5106754X2	1	SEAT CUSHION ASSEMBLY, 186694VN1328
0200-40	5104681X3	1	LEFT AND RIGHT HAND ARM ASSEMBLIES, CI3 SEAT
0200-50	5104681X4	1	ARM PAD, C13 SEAT
0200-60	7023354	1	SWITCH, SEAT
0200-70	5100541	1	SWITCH, NC, W/ TWIST-IN BASE
0210	5025394	6	NUT, 3/8 - 16 HEX NYLOCK FLANGE
0220	80087701	2	SCREW, 3/8-16 X .88 PAN HD TORX
0230	80003585	2	BOLT,3/8-16X.75,GR5,CARRIAGE,ZC/CL
0240	5025155	2	WASHER, 5/16" SAE
0250	5103767	2	SPACER, .33 X .63 X .36, PM, CZ
0260	5416725A	1	PLATE, SEAT SUPPORT - BLK
0270	80004565	1	BOLT,5/16-18X1.000,SHORT NECK CRRG,ZC/CL -(To limit seat travel)
0280	5025337	1	WASHER, 5/16" USS
0290	5025390X8	2	BOLT, 3/8-16 X 1, FLANGE, GD 5, CZ
0300	80003621	2	WSHR,.406X.875X.083FLT,TYPE A,ZINC/CLEAR

# Seat Mount & Floor Group S/N: 4000875837 and Above

Note: Unless noted otherwise, use the standard torque specifications

Mfg. No: 5901990

## Seat Service Parts:

0200-10 - 4" Track Assembly w/ Hardware

0200-20 - Back Assembly

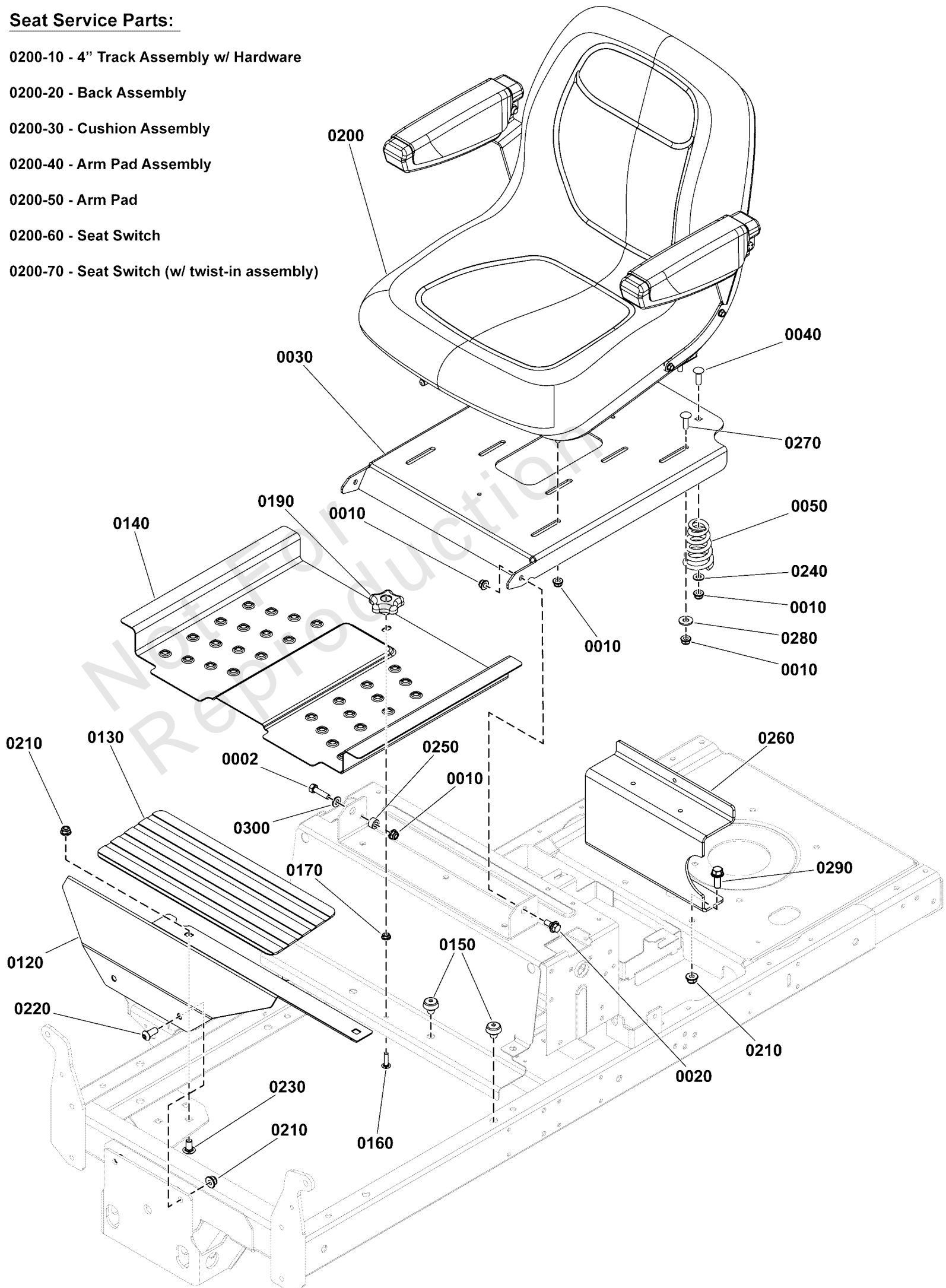
0200-30 - Cushion Assembly

0200-40 - Arm Pad Assembly

0200-50 - Arm Pad

0200-60 - Seat Switch

0200-70 - Seat Switch (w/ twist-in assembly)





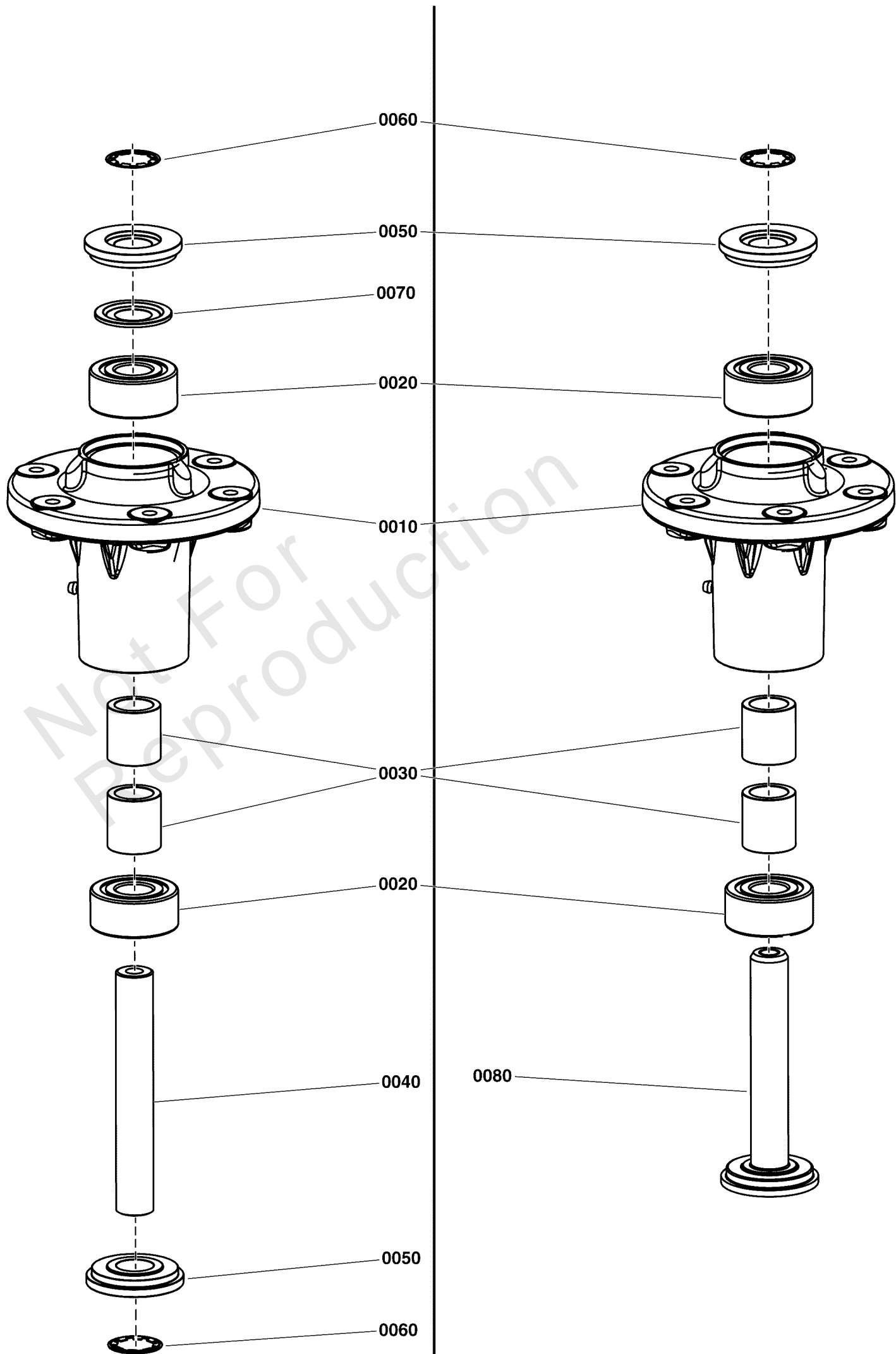
## Seat Mount & Floor Group S/N: 4000875837 and Above

REF NO	PART NO	QTY	DESCRIPTION
0002	5025011X8	2	BOLT, 5/16-18 X 1" GRD5 YZ
0010	5025392	11	NUT, 5/16-18 HEX NYLOCK FLANGE NUT
0020	1752802	2	BOLT, Shoulder, 5/16-18 x 1
0030	1760194B	1	SLIDE, SEAT (FER RED)
0040	5025145X8	2	BOLT, 5/16-18 X 1, CARRIAGE, GD5, CZ
0050	5108276	2	SPRING, SEAT, BLACK E-COAT
0120	1759278B	1	FOOTREST,PIVOTING AXLE (NO EXT)(FER RED)
0130	5101374	1	SAFETY WALK, FLOOR REST, 16.00 X 6.00
0140	5601199	1	FOOT PAN W/DECAL, EXPORT 2019 (1757813B)
0150	197546	6	MNT, VBRTN, RBBR
0160	7090496	1	BOLT, 1/4-20 x 1" Grade 2 Short Neck Carriage
0170	5025126	1	NUT, 1/4-20 HEX SERR. FLANGE
0190	80008144	1	KNOB, HNDL, 5 PRONG
0200	5108190	1	SEAT, 907, W/ARM REST & SWITCH, NO BEAD
0200-10	5104741X1	1	4" SL TRACK SET - 9" FLAT - W/HDWR
0200-20	5108190X3	1	BACK ASSEMBLY
0200-30	5108190X4	1	CUSHION ASSEMBLY
0200-40	5108190X1	1	ARM PAD ASSEMBLY
0200-50	5108190X2	1	ARM BRACKET W/PAD & HARDWARE
0200-60	7023354	1	SWITCH, SEAT
0200-70	5100541	1	SWITCH, NC, W/ TWIST-IN BASE
0210	5025394	6	NUT, 3/8 - 16 HEX NYLOCK FLANGE
0220	80087701	2	SCREW, 3/8-16 X .88 PAN HD TORX
0230	80003585	2	BOLT,3/8-16X.75,GR5,CARRIAGE,ZC/CL
0240	5025155	2	WASHER, 5/16" SAE
0250	5103767	2	SPACER, .33 X .63 X .36, PM, CZ
0260	5416725A	1	PLATE, SEAT SUPPORT - BLK
0270	80004565	1	BOLT,5/16-18X1.000,SHORT NECK CRRG,ZC/CL -(To limit seat travel)
0280	5025337	1	WASHER, 5/16" USS
0290	5025390X8	2	BOLT, 3/8-16 X 1, FLANGE, GD 5, CZ
0300	80003621	2	WSHR,.406X.875X.083FLT,TYPE A,ZINC/CLEAR

# Spindle SERVICE Parts

Note: Unless noted otherwise, use the standard torque specifications

Mfg. No: 5901990



## Spindle SERVICE Parts

REF NO	PART NO	QTY	DESCRIPTION
0010	1761445	1	HOUSING, SPINDLE - CAST ALUM W/ ZERK
0020	5105576	2	BEARING 5204-2RS, DOUBLE ROW
0030	5105533	2	SPACER, .81 X 1.13 X 1.18, PM
0040	-----	1	SHAFT, Spindle 20MM Dia. 134.60 MM Long -(See Footnote)
0050	1735323	1	SHIELD-ARBOR, 2.050OD 46" MWR -(Qty: 2 - S/N: 2018021286 & Below)
0060	1960766	1	RING, Self-Locking, 46" Mower -(Qty: 2 - S/N: 2018021286 & Below)
0070	7106224	1	BEARING, Seal -(S/N: 2018021286 & Below)
0080	1760276	1	SHAFT, MOWER SPINDLE-.787 BLADE PILOT -(S/N: 2018021287 & Above)

Not For  
Reproduction

---

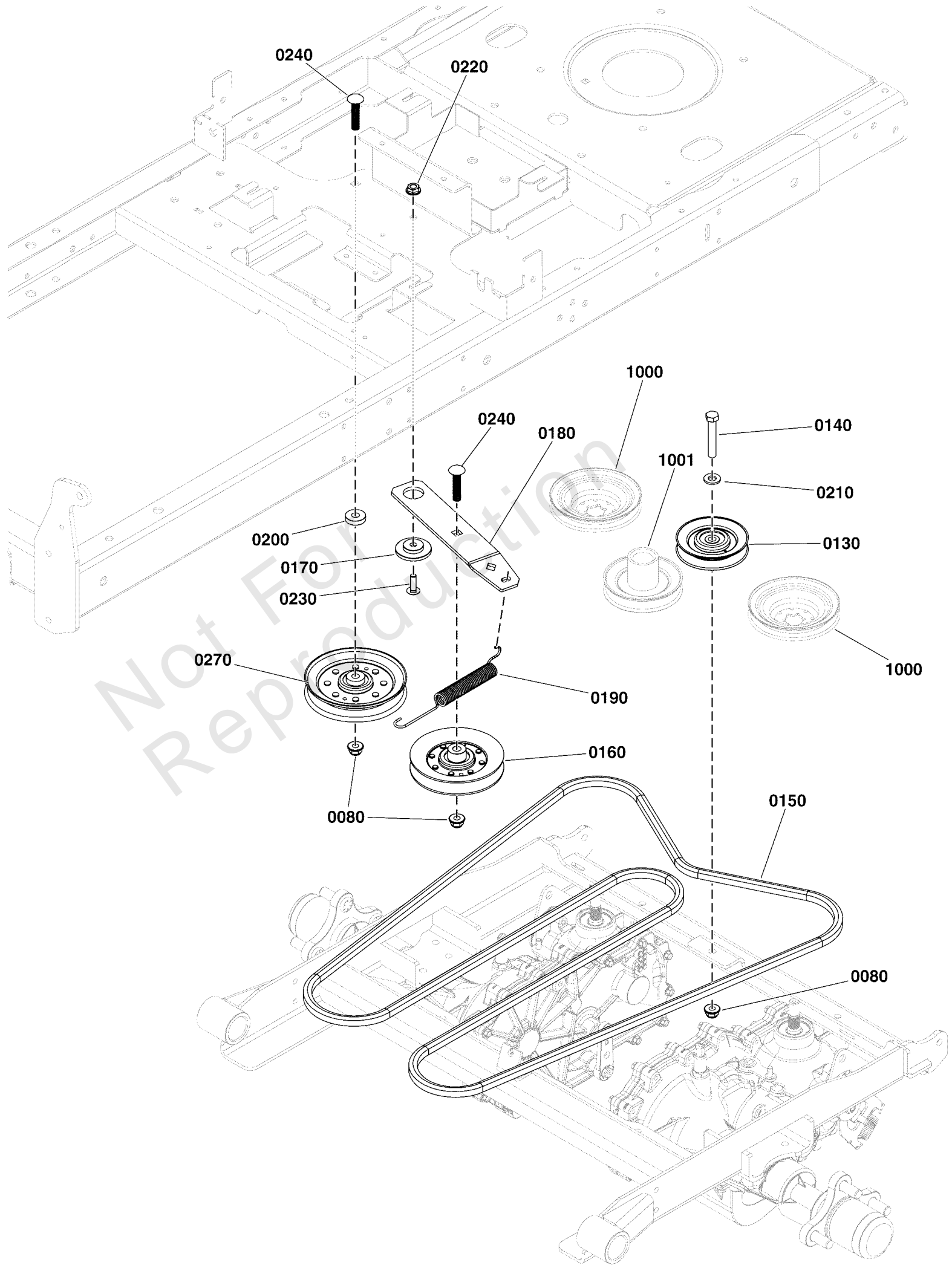
**Footnotes:**

\* If replacing this shaft use parts from higher serial number range.

# Transaxle Drive Group S/N: 2017940001 & Above

Note: Unless noted otherwise, use the standard torque specifications

Mfg. No: 5901990



## Transaxle Drive Group S/N: 2017940001 & Above

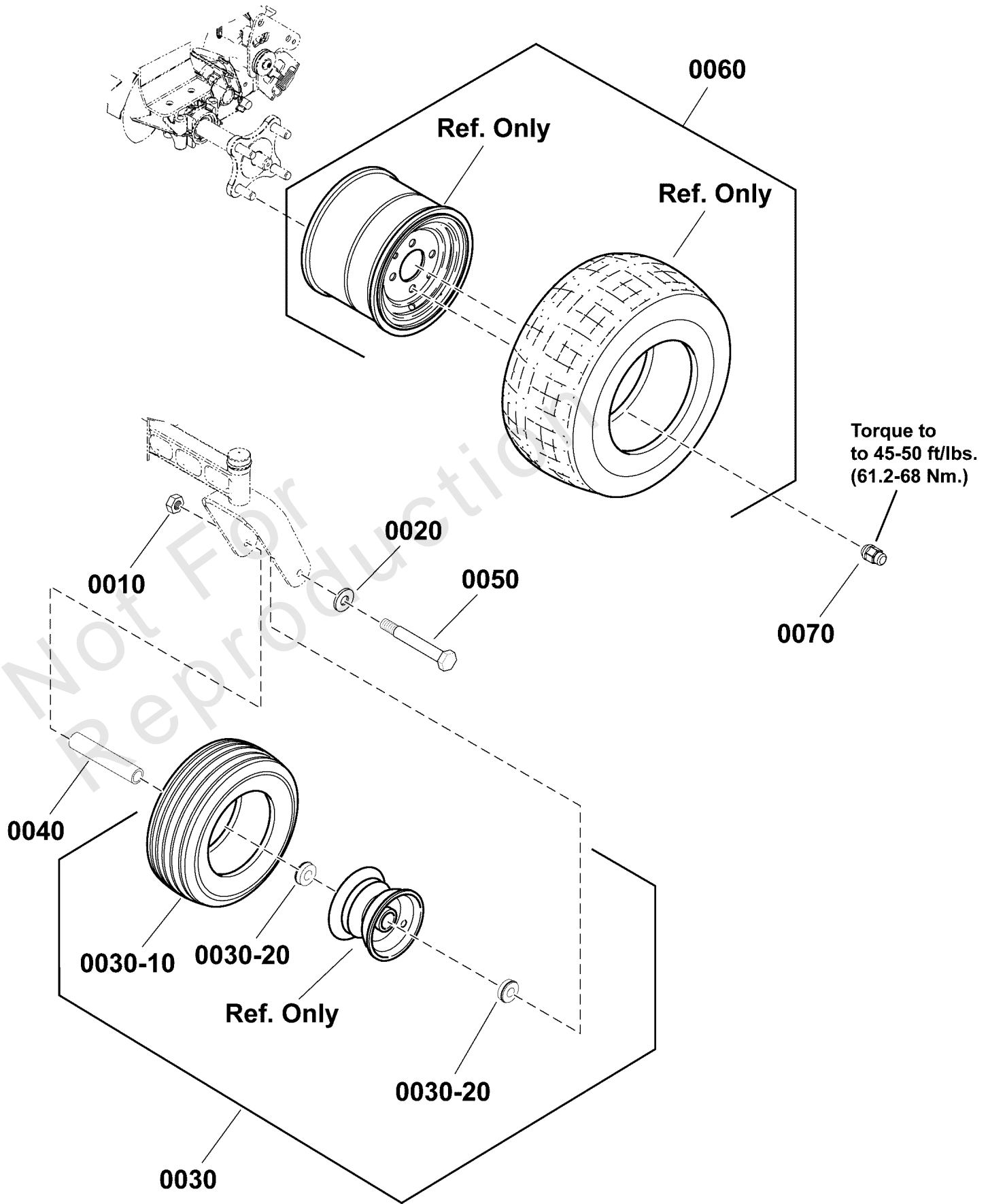
REF NO	PART NO	QTY	DESCRIPTION
0080	5025394	3	NUT, 3/8 - 16 HEX NYLOCK FLANGE
0130	885482	1	PULLEY, Deck Idler
0140	80004843	1	HHCS 3/8-16 X 2.250 GR 5 ZINC/CLEAR
0150	885714	1	BELT, 112.48" EL, HAA Section
0160	1759212	1	PULLEY, V-IDLER, 4.50"
0170	1727935	1	SPACER, Pivot 0.330ID 1.76OD .37TH Powdered Metal
0180	1761878A	1	ARM, TRANSMISSION DRIVE IDLER (BLACK)
0190	1758045	1	SPRING, EXTENSION
0200	5044960	1	SPACER, .39 X 1.00 X .25, PM, CZ
0210	5025293	1	WASHER, 3/8" GR. 9 FLAT
0220	5025392	1	NUT, 5/16-18 HEX NYLOCK FLANGE NUT
0230	80020384	1	SCREW-HEX WZ LOCK FLNG 5/16-18 X1.00 DOG
0240	80004559	2	BOLT,3/8-16X1.750,SHORT NECK CRRG,ZC/CL
0270	5103456	1	PULLEY-IDLER-V, 4.85OB, .38ID
1000	-----	1	Refer to: Hydraulic Group
1001	-----	1	Refer to: Engine & PTO Group

Not For Reproduction

# Wheel and Tire Group

Note: Unless noted otherwise, use the standard torque specifications

Mfg. No: 5901990



## Wheel and Tire Group

REF NO	PART NO	QTY	DESCRIPTION
0010	1930650	2	NUT-HEX FLANGE 7/16-14 TWO WAY LK GA BLK
0020	80004028	2	WSHR,7/16 ID X .065 THK, FLAT,ZINC/CLEAR
0030	5109054	2	TIRE ASM, 11 X 6-5,BLK, KENDA
0030-10	80080750	2	TIRE, 11X6-5
0030-20	80082605	4	BEARING, BALL, 5/8" ID, FLANGE -(2 per tire)
0040	80081657	2	TUBE, CASTER WHEEL
0050	80082007	2	HHCS, 7/16-14X7.0 GRADE 5
0060	5109058	2	TIRE ASM, 20 X 10-10, K513, BLK, KENDA
0070	5108802FS	8	NUT -(Black Lug Nut)
0070	5020601SM	8	NUT, 1/2-20, FOR WHEEL BOLT SILVER -(Silver Lug Nut)

Not For Reproduction

# Hardware Identification & Torque Specifications

Torque Specification Chart								
FOR STANDARD METRIC MACHINE HARDWARE (Tolerance ± 20%)								
Property Class	5.6		8.8		10.9		12.9	
	Class 5.6		Class 8.8		Class 10.9		Class 12.9	
Size Of Hardware	in/lbs	Nm.	in/lbs	Nm.	in/lbs	Nm.	in/lbs	Nm.
	ft/lbs		ft/lbs		ft/lbs		ft/lbs	
M3	5.88	.56	13.44	1.28	19.2	1.80	22.92	2.15
M4	13.44	1.28	30.72	2.90	43.44	4.10	52.56	4.95
M5	26.4	2.50	60.96	5.75	5.97	8.10	7.15	9.7
M6	44.64	4.3	7.3	9.9	10.3	14	12.1	16.5
M7	5.2	7.1	12.1	16.5	16.9	23	19.9	27
M8	7.7	10.5	17.7	24	25	34	29	40
M10	15	21	35	48	50	67	59	81
M12	26	36	61	83	86.2	117	103	140
M14	42	58	101	132	136	185	162	220
M16	64	88	147	200	210	285	250	340
M18	89	121	202	275	287	390	346	470
M20	126	171	290	390	405	550	486	660
M22	169	230	390	530	559	745	656	890
M24	217	295	497	375	708	960	840	1140
M27	320	435	733	995	1032	1400	1239	1680
M30	435	590	995	1350	1401	1900	1681	2280
M33	590	800	1349	1830	1902	2580	2278	3090
M36	759	1030	1740	2360	2441	3310	2935	3980
M39	988	1340	2249	3050	3163	4290	3798	5150

Torque Specification Chart						
FOR STANDARD MACHINE HARDWARE (Tolerance ± 20%)						
Hardware Grade	No Marks		SAE Grade 5		SAE Grade 8	
	SAE Grade 2		SAE Grade 5		SAE Grade 8	
Size Of Hardware	in/lbs	Nm.	in/lbs	Nm.	in/lbs	Nm.
	ft/lbs		ft/lbs		ft/lbs	
8-32	19	2.1	30	3.4	41	4.6
8-36	20	2.3	31	3.5	43	4.9
10-24	27	3.1	43	4.9	60	6.8
10-32	31	3.5	49	5.5	68	7.7
1/4-20	66	7.6	8	10.9	12	16.3
1/4-28	76	8.6	10	13.6	14	19.0
5/16-18	11	15.0	17	23.1	25	34.0
5/16-24	12	16.3	19	25.8	29	34.0
3/8-16	20	27.2	30	40.8	45	61.2
3/8-24	23	31.3	35	47.6	50	68.0
7/16-14	30	40.8	50	68.0	70	95.2
7/16-20	35	47.6	55	74.8	80	108.8
1/2-13	50	68.0	75	102.0	110	149.6
1/2-20	55	74.8	90	122.4	120	163.2
9/16-12	65	88.4	110	149.6	150	204.0
9/16-18	75	102.0	120	163.2	170	231.2
5/8-11	90	122.4	150	204.0	220	299.2
5/8-18	100	136	180	244.8	240	326.4
3/4-10	160	217.6	260	353.6	386	525.0
3/4-16	180	244.8	300	408.0	420	571.2
7/8-9	140	190.4	400	544.0	600	816.0
7/8-14	155	210.8	440	598.4	660	897.6
1-8	220	299.2	580	788.8	900	1,244.0
1-12	240	326.4	640	870.4	1,000	1,360.0

The guides and ruler furnished below are designed to help you select the appropriate hardware.

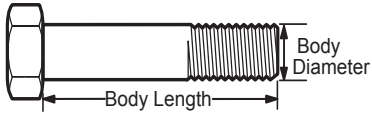


Nut, M8

Thread Diameter (mm)

Inside Diameter (in)      Threads per inch

Nut, 1/2-16



Screw, M8- 1.25 x 25

Thread Diameter (mm)      Distance between threads (mm)      Body Length (mm)

Body Diameter      Threads per inch      Body Length (in)

Screw, 1/2- 16 x 2



## Standard Hardware Sizing

When a washer or nut is identified as 1/2" (M8), this is the *Nominal size*, meaning the *inside diameter* is 1/2 inch (8mm metric thread diameter); if a second number is present it represents the *threads per inch* (distance between threads).

When bolt or capscrew is identified as 1/2 - 16 x 2" (M8 - 1.25 x 50), this means the *Nominal size*, or body diameter is 1/2 inch (8mm metric thread diameter), the second number, 16, represents the *threads per inch*, (*distance between threads*). The final number is the body length of the bolt or screw, 2 inches (50mm).

## NOTES

- These torque values are to be used for all hardware excluding: locknuts, self-tapping screws, thread forming screws, sheet metal screws and socket head setscrews.
- Recommended seating torque values for locknuts:
  - for prevailing torque locknuts - use 65% of grade 5 torques.
  - for flange whizlock nuts and screws - use 135% of grade 5 torques.
- Unless otherwise noted on assembly drawings, all torque values must meet this specification.

## Common Hardware Types

Hex Head Capscrew



Washer



Carriage Bolt



Hex Nut

## Wrench & Fastener Size Guide

1/4" Bolt or Nut Wrench—7/16"	5/16" Bolt or Nut Wrench—1/2"	3/8" Bolt or Nut Wrench—9/16"	7/16" Bolt or Nut Wrench (Bolt)—5/8" Wrench (Nut)—11/16"	1/2" Bolt or Nut Wrench—3/4"
M6 Bolt or Nut Wrench—10mm	M8 Bolt or Nut Wrench—13mm	M10 Bolt or Nut Wrench—17mm	M12 Bolt or Nut Wrench—19mm	M14 Bolt or Nut Wrench—22mm



