

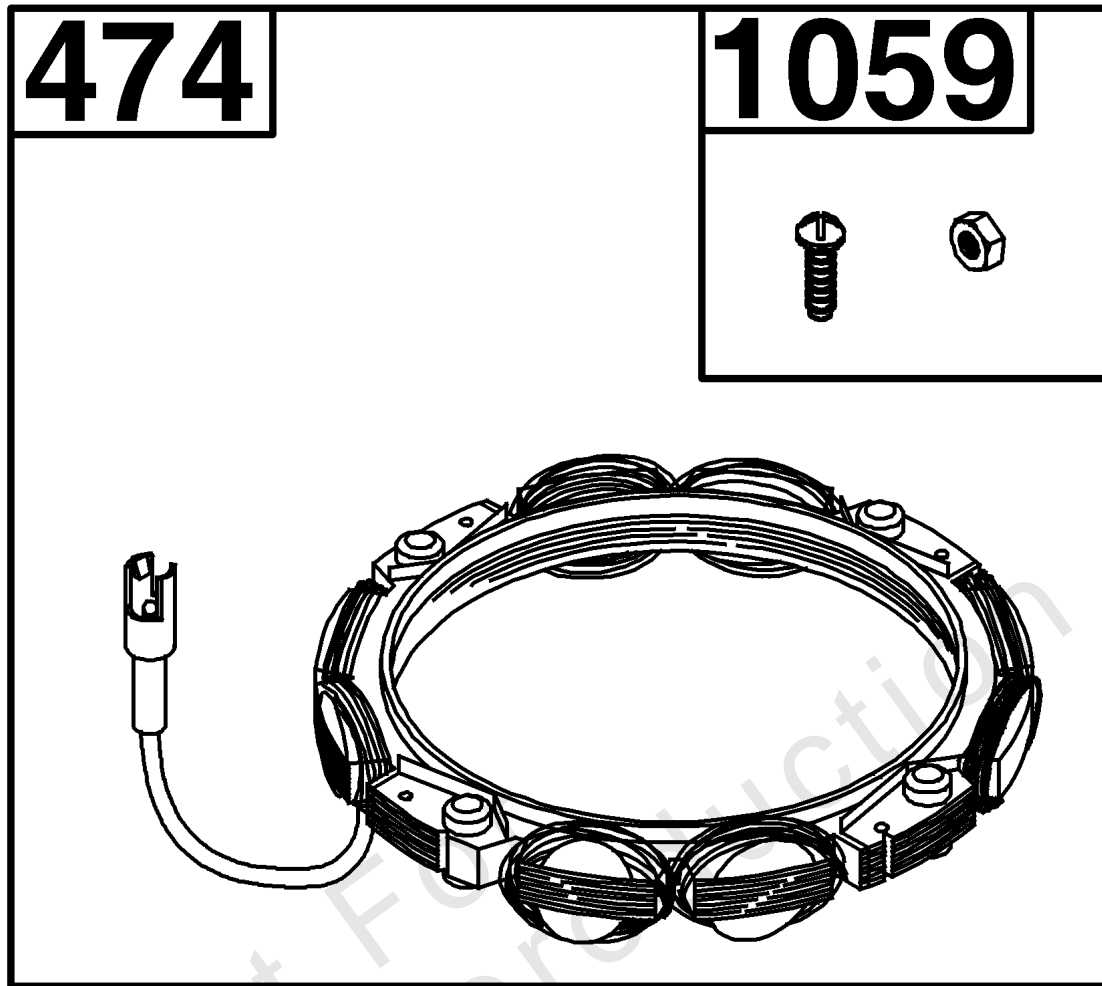


Parts Manual

Mfg. No: 44C777-0005-G1

Model Components	Page
Alternator Group.....	4
Blower Housing and Air Cleaner Group.....	6
Carburetor and Fuel Supply Group.....	8
Controls Group.....	10
Crankcase Cover/Sump Group.....	12
Crankshaft Group.....	14
Cylinder Group.....	16
Cylinder Head Group.....	18
Flywheel, Ignition, and Starter Group.....	22
Lubrication Group.....	24
Replacement Engine - US & Canada.....	26

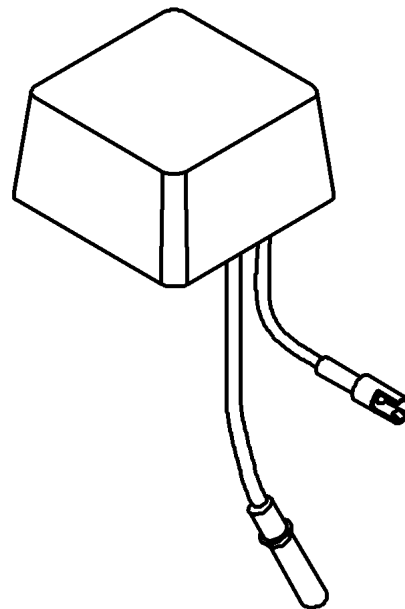
Not For
InRproduction



Not For
In Reproduction

501

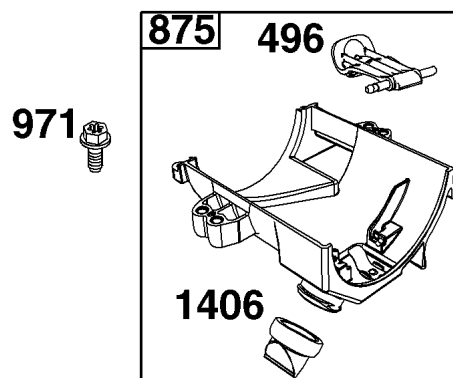
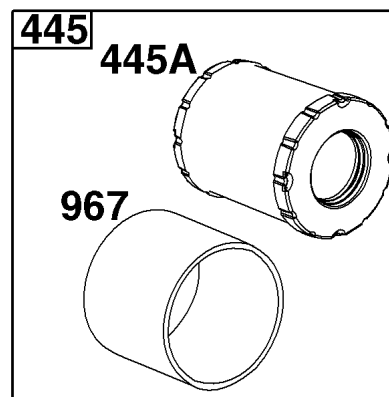
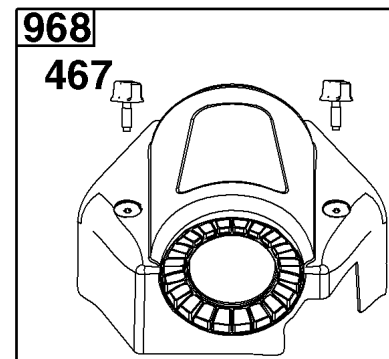
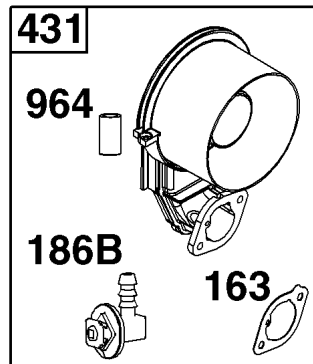
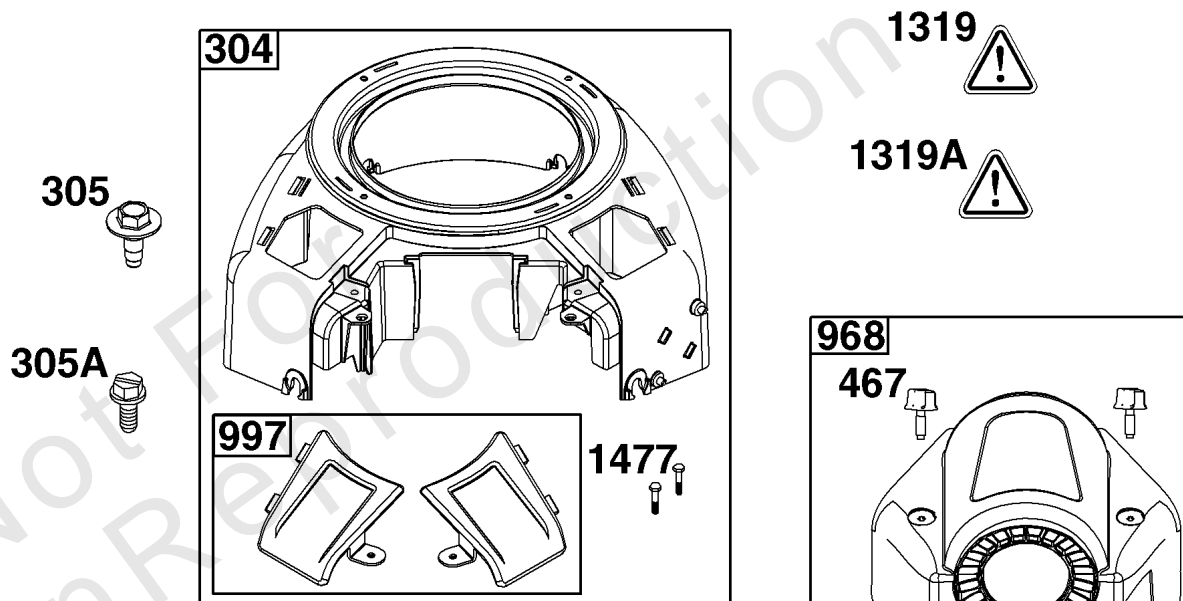
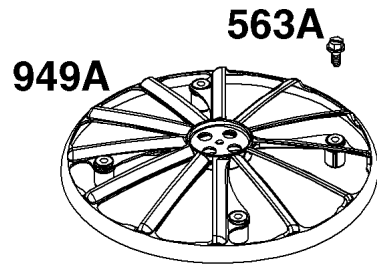
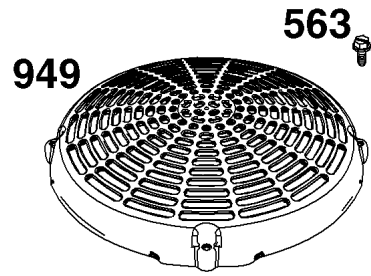
526



Alternator Group

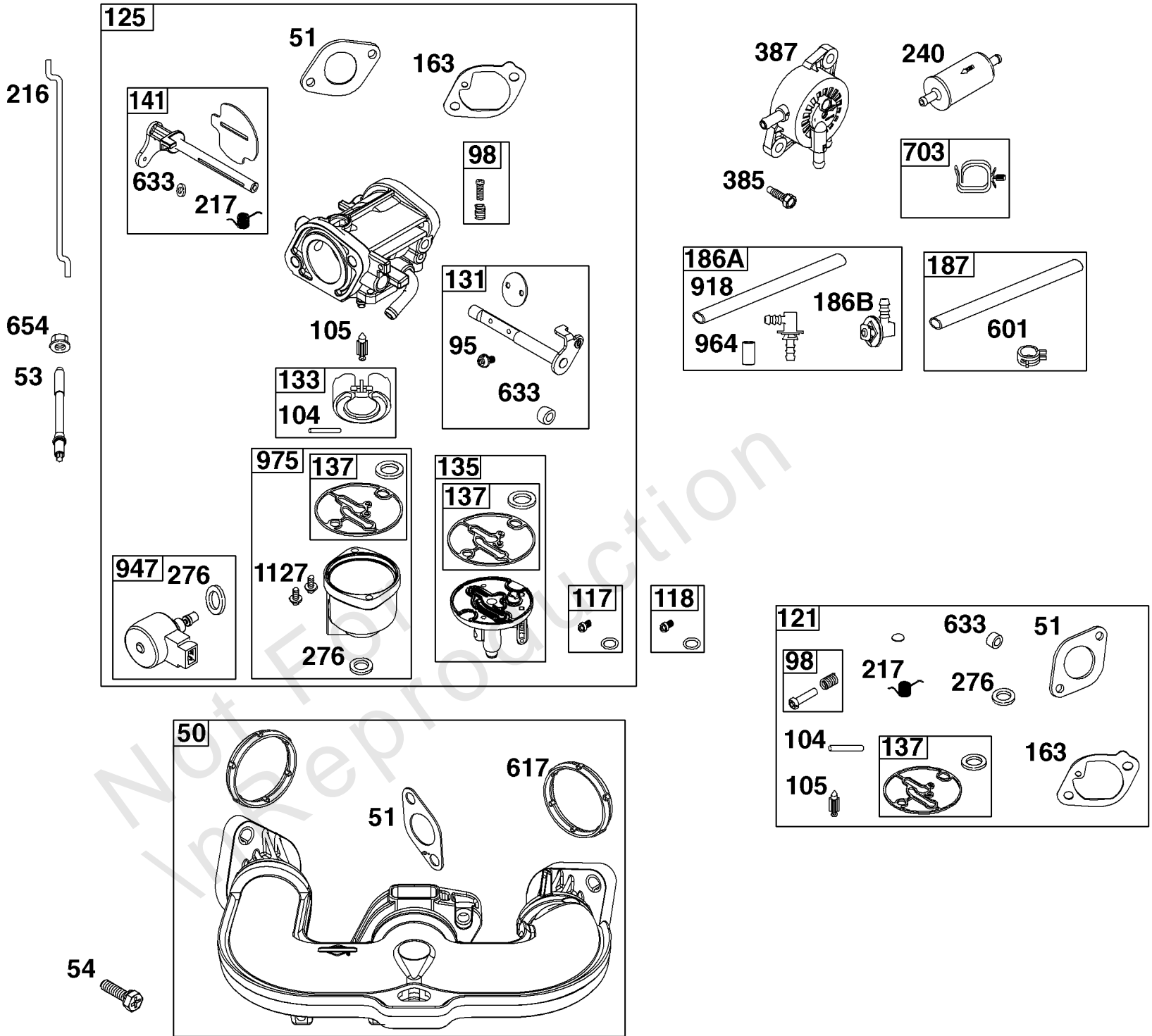
REF NO	PART NO	QTY	DESCRIPTION
474	592829	1	ALTERNATOR
501	794360	1	REGULATOR
526	691129	2	SCREW -(Regulator)
1059	698516	1	KIT, Screw/Washer
1119	691183	4	SCREW -(Alternator)

Not For In Reproduction



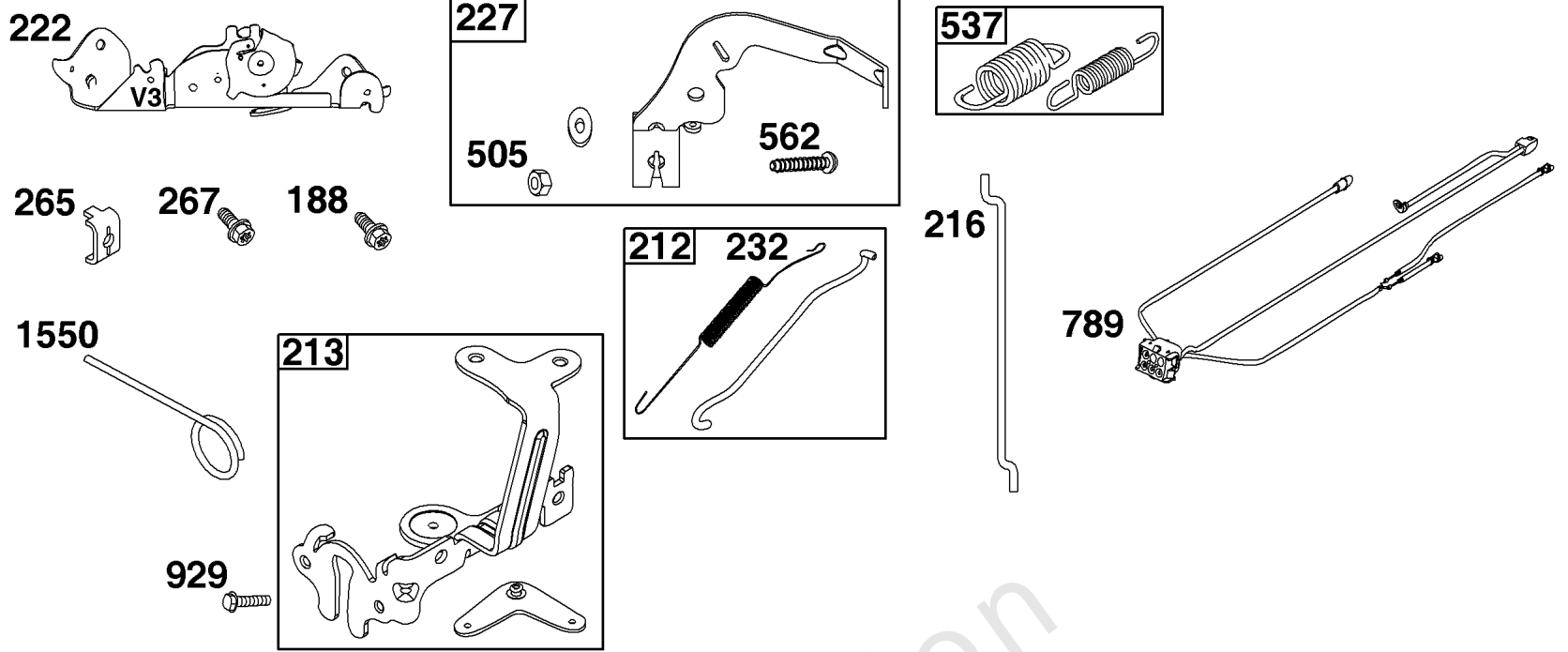
Blower Housing and Air Cleaner Group

REF NO	PART NO	QTY	DESCRIPTION
163	-----	1	GASKET, Air Cleaner -(Part information located in Carburetor and Fuel Supply Group.)
186B	-----	1	CONNECTOR, Hose -(Part information located in Carburetor and Fuel Supply Group.)
304	799958	1	HOUSING, Blower
305	594618	6	SCREW -(Blower Housing)
305A	691130	2	SCREW -(Blower Housing)
431	595735	1	ELBOW, Intake
445	595536	1	FILTER, A/C Cartridge
445A	798897	1	FILTER, A/C Cartridge
467	790697	2	KNOB, Air Cleaner Cover
496	799095	1	LEVER, Air Cleaner Filter
563	799360	4	SCREW -(Debris Screen Guard)
563A	698425	4	SCREW -(Debris Screen Guard)
875	799094	1	BASE, Air Cleaner
949	799357	1	GUARD, Debris Screen
949A	593206	1	GUARD, Debris Screen
964	799159	1	CAP, Connector
967	593217	1	FILTER, Pre Cleaner
968	799102	1	COVER, Air Cleaner
971	698304	2	SCREW -(Air Cleaner Base to Carburetor/Throttle Body)
997	592782	1	COVER, Blower Housing
1319	794467	1	LABEL, Warning -(REQUIRED When Replacing Parts With Warning Labels Affixed)
1319A	797669	1	LABEL, Warning -(REQUIRED When Replacing Parts With Warning Labels Affixed)
1406	799096	1	VALVE, Debris
1477	799093	2	SCREW -(Debris Shield)



Carburetor and Fuel Supply Group

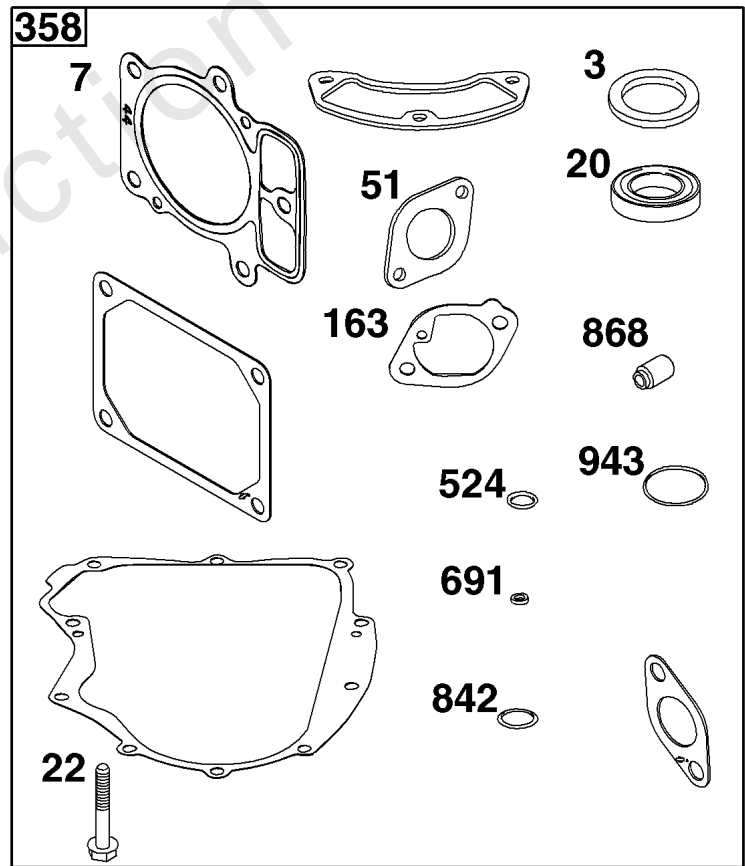
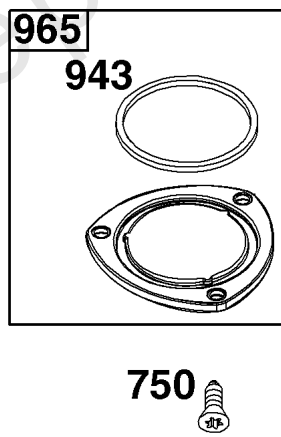
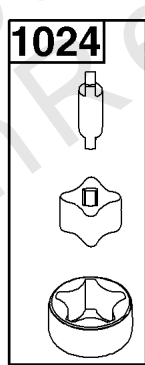
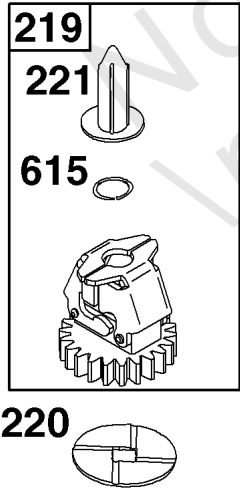
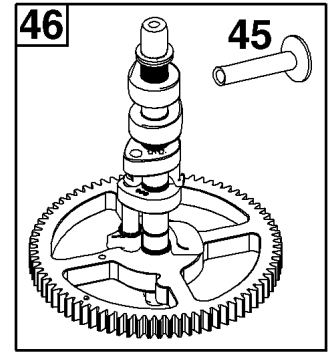
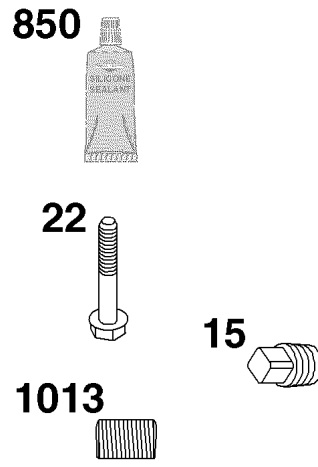
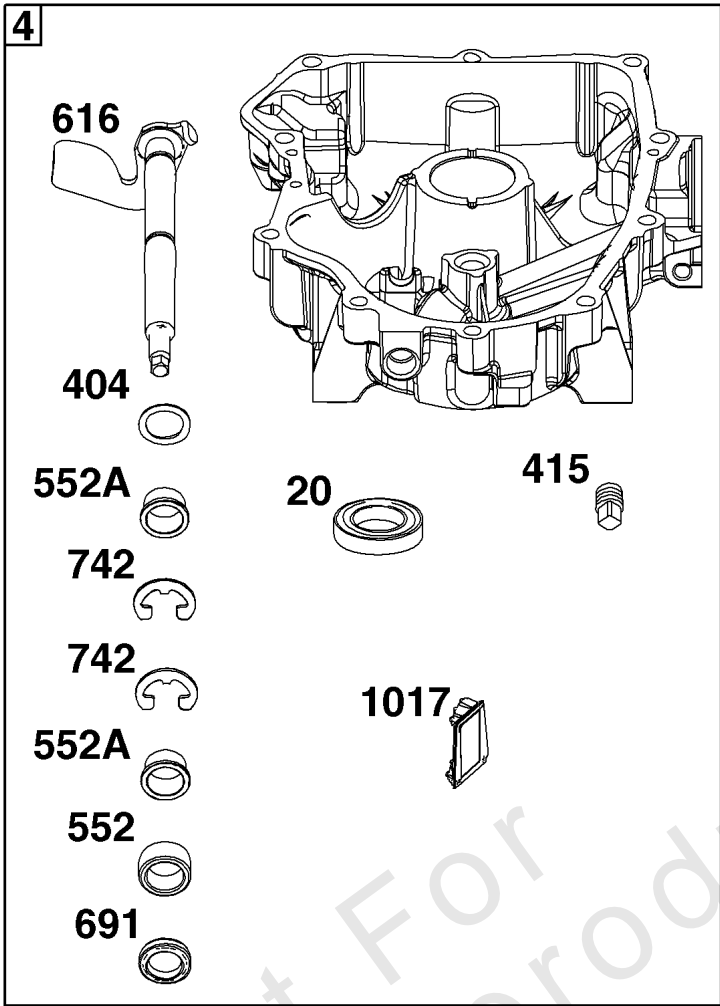
REF NO	PART NO	QTY	DESCRIPTION
50	-----	1	MANIFOLD, Intake -(Part information located in Cylinder Head Group.)
51	-----	1	GASKET, Intake -(Part information located in Cylinder Head Group.)
53	690951	2	STUD -(Carburetor)
54	-----	4	SCREW -(Part information located in Cylinder Head Group.)
95	690718	2	SCREW -(Throttle Valve)
98	695408	1	KIT, Idle Speed
98	695408	1	KIT, Idle Speed
104	694918	1	PIN, Float Hinge
105	698537	1	VALVE, Float Needle
117	842082	1	JET, Main -(Standard)
118	842081		JET, Main -(High Altitude)
121	594212	1	KIT, Carburetor Overhaul -(Service Kits may include extra parts not specific to this engine.)
125	596102	1	CARBURETOR
131	594210	1	KIT, Throttle Shaft
133	694914	1	FLOAT, Carburetor
135	591701	1	TUBE, Fuel Transfer
137	698781	1	GASKET, Float Bowl
137	698781	2	GASKET, Float Bowl
141	594211	1	KIT, Choke Shaft
141	594211	1	KIT, Choke Shaft
163	594203	1	GASKET, Intake
186A	799158	1	CONNECTOR, Hose
186B	845141	1	CONNECTOR, Hose
187	791766	1	LINE, Fuel
216	-----	1	LINK, Choke -(Part information located in Controls Group.)
217	799771	1	SPRING, Choke Return
240	845125	1	FILTER, Fuel
276	695410	1	WASHER, Sealing
385	797409	2	SCREW -(Fuel Pump)
387	808656	1	PUMP, Fuel
601	691038	2	CLAMP, Hose
617	-----	2	SEAL, O-Ring -(Part information located in Cylinder Head Group.)
633	699813	2	SEAL, Choke/Throttle Shaft
654	690958	2	NUT -(Carburetor)
703	691010	2	CLIP
918	799160	1	HOSE, Vacuum
947	596039	1	SOLENOID, Fuel
964	-----	1	CAP, Connector -(Part information located in Blower Housing and Air Cleaner Group.)
975	591699	1	BOWL, Float
1127	695407	2	SCREW -(Float Bowl) (Float Bowl to Carburetor Body)



Not For
InReproduction

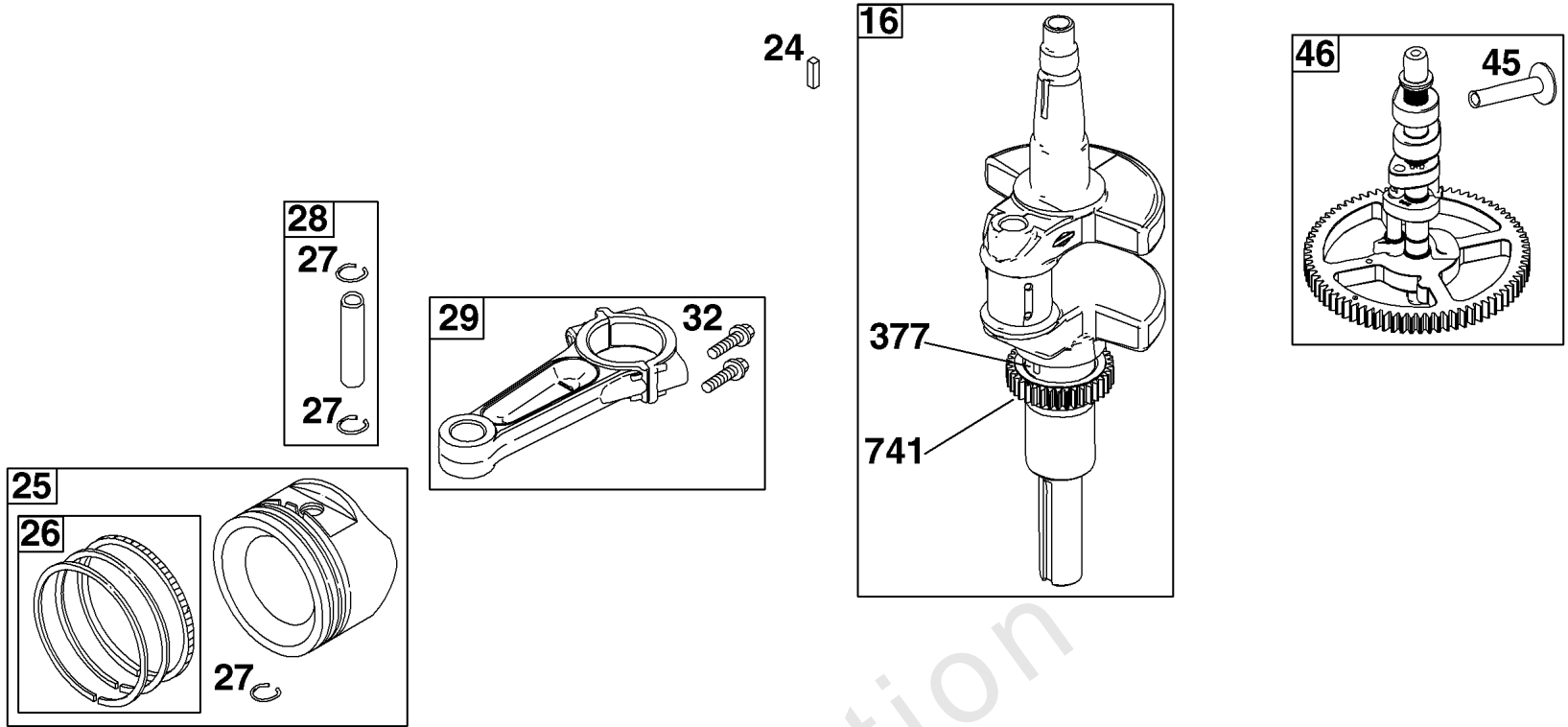
Controls Group

REF NO	PART NO	QTY	DESCRIPTION
188	691003	2	SCREW -(Control Bracket)
212	792265	1	LINK, Throttle
213	799510	1	BRACKET, Choke Control
216	691022	1	LINK, Choke
222	798916	1	BRACKET, Control
227	798856	1	LEVER, Governor Control
232	795915	1	SPRING, Governor Link
265	691024	1	CLAMP, Casing
267	792629	1	SCREW -(Casing Clamp)
505	691029	1	NUT -(Governor Control Lever)
537	594918	1	KIT, Governor/Idle Spring
562	690311	1	BOLT -(Governor Control Lever)
789	591392	1	HARNESS, Wiring
929	691003	2	SCREW -(Choke Control Bracket)
1550	595801	1	PIN, Speed Setting



Crankcase Cover/Sump Group

REF NO	PART NO	QTY	DESCRIPTION
3	-----	1	SEAL, Oil -(Part information located in Cylinder Group.)
4	594974	1	SUMP, Engine
7	-----	2	GASKET, Cylinder Head -(Part information located in Cylinder Head Group.)
15	690946	1	PLUG, Oil Drain
20	795387	1	SEAL, Oil -(PTO Side)
22	694966	10	SCREW -(Crankcase Cover/Sump)
45	-----	4	TAPPET, Valve -(Part information located in Cylinder Head Group.)
46	-----	1	CAMSHAFT -(Part information located in Crankshaft Group.)
51	-----	1	GASKET, Intake -(Part information located in Cylinder Head Group.)
163	-----	1	GASKET, Air Cleaner -(Part information located in Carburetor and Fuel Supply Group.)
219	793338	1	GEAR, Governor
220	799772	1	WASHER -(Governor Gear)
221	841026	1	CUP, Governor
358	594213		GASKET SET, Engine -(Service Kits may include extra parts not specific to this engine.)
404	690442	1	WASHER -(Governor Crank)
415	794903	1	PLUG
524	-----	1	SEAL, O-Ring -(Part information located in Lubrication Group.)
552	796638	1	BUSHING, Governor Crank
552A	690553	1	BUSHING, Governor Crank
615	698290	1	RETAINER, Governor Shaft
616	691045	1	CRANK, Governor
691	790574	1	SEAL, Governor Shaft
742	690328	1	RETAINER, E Ring
750	796208	3	SCREW
842	-----	1	SEAL, O-Ring -(Part information located in Lubrication Group.)
850	100106		SEALANT, Liquid
868	-----	1	SEAL, Valve -(Part information located in Cylinder Head Group.)
943	796222	1	SEAL, O-Ring
965	796221	1	COVER, Oil Pump
1013	690954	1	NIPPLE, Oil Filter
1017	796214	1	SCREEN, Oil Pump
1024	796220	1	PUMP, Oil

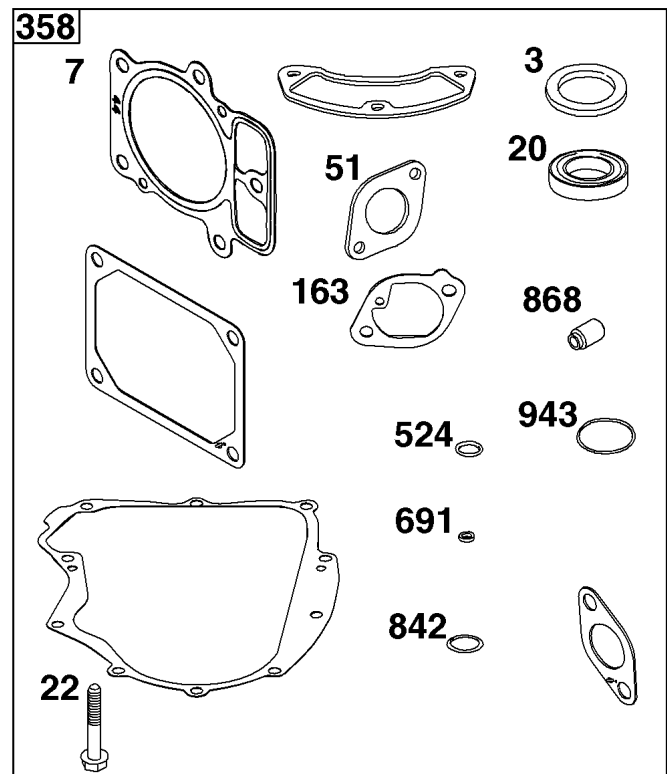
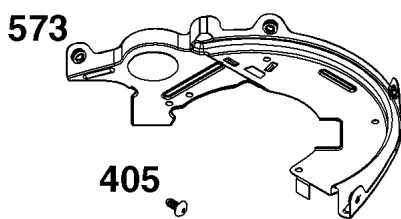
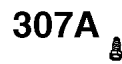
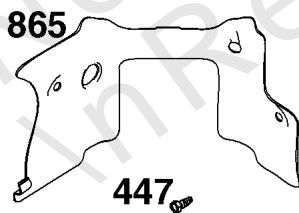
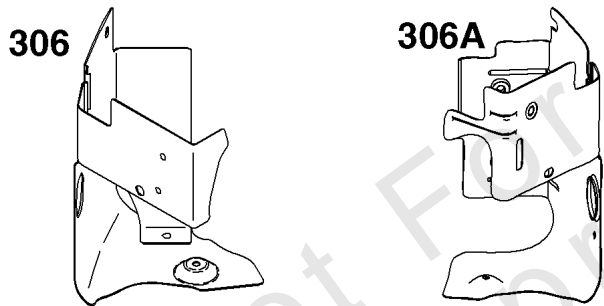
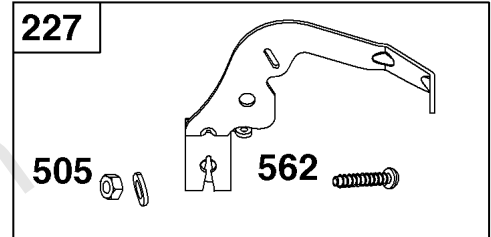
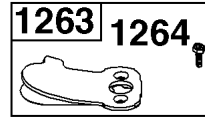
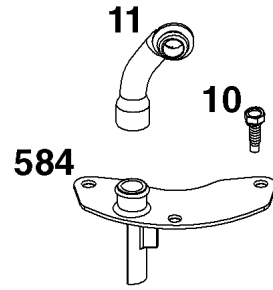
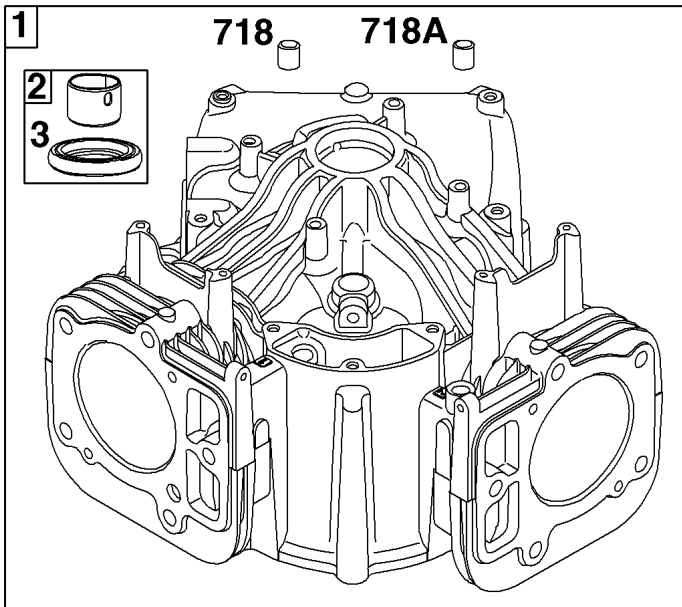


Not For
InReproduction

Crankshaft Group

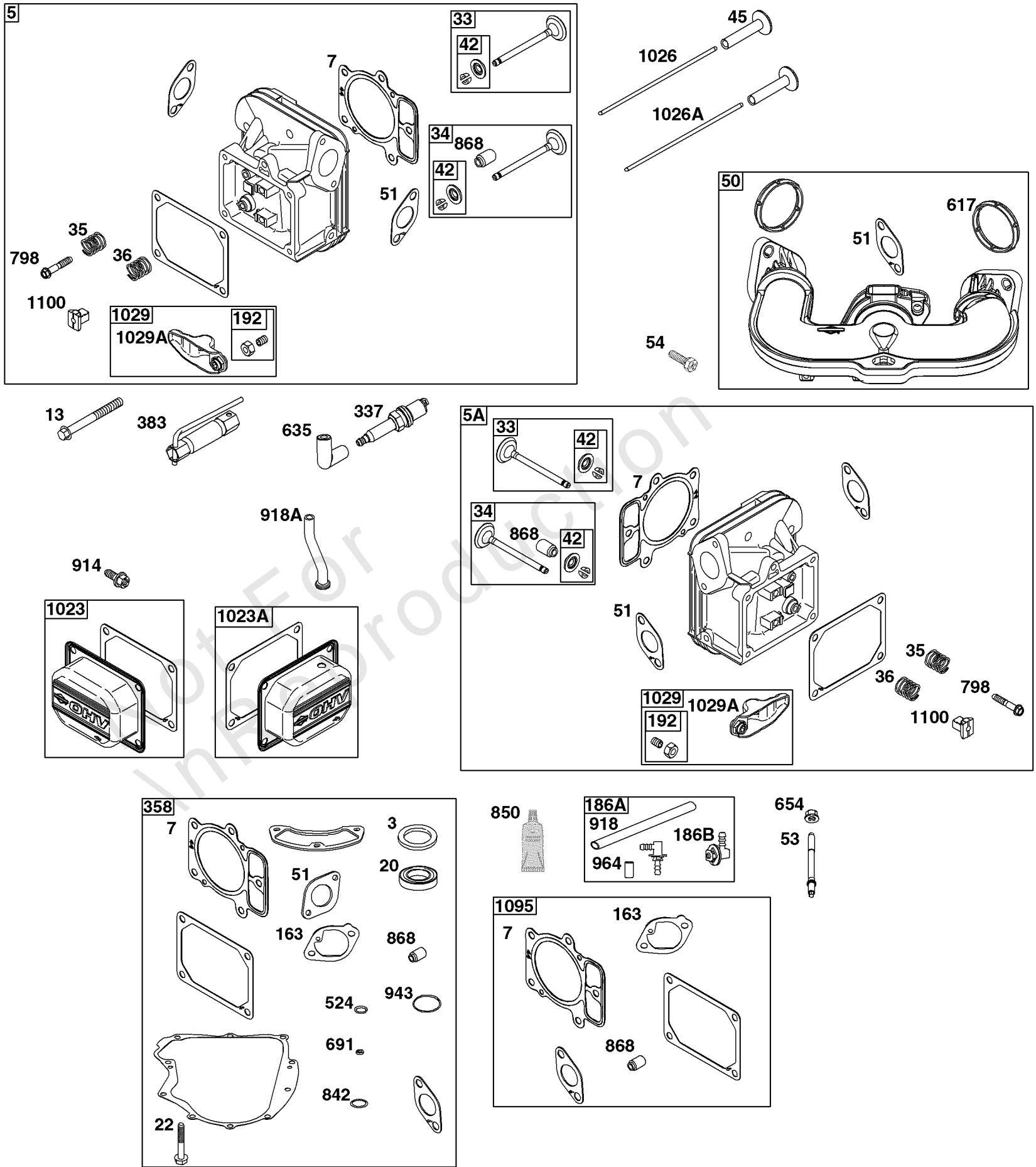
REF NO	PART NO	QTY	DESCRIPTION
16	595707	1	CRANKSHAFT
24	222698S	1	KEY, Flywheel
25	792023	1	PISTON ASSEMBLY
25	792072	1	PISTON ASSEMBLY
26	792026	1	SET, Ring
26	792073	2	SET, Ring
27	690975	1	LOCK, Piston Pin
28	593650	1	PIN, Piston
29	796209	1	ROD, Connecting
32	690976	2	SCREW -(Connecting Rod)
45	-----	4	TAPPET, Valve -(Part information located in Cylinder Head Group.)
46	796853	1	CAMSHAFT
377	690979	1	KEY, Woodruff
741	690980	1	GEAR, Timing

Not For In Reproduction



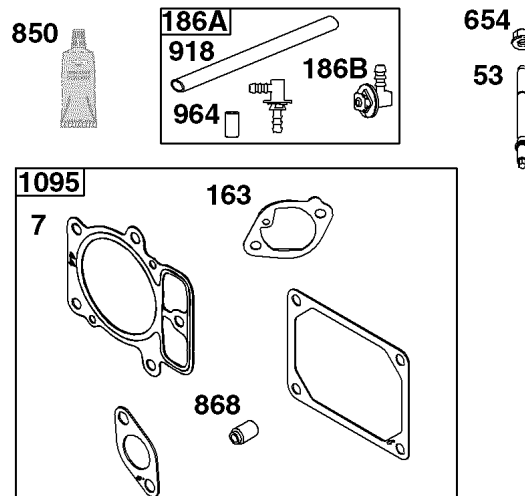
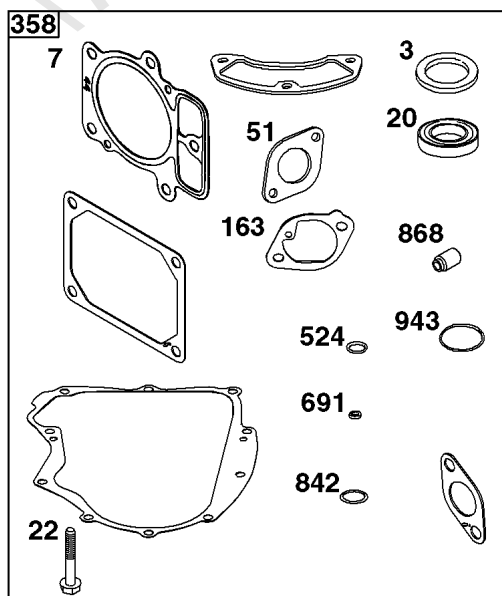
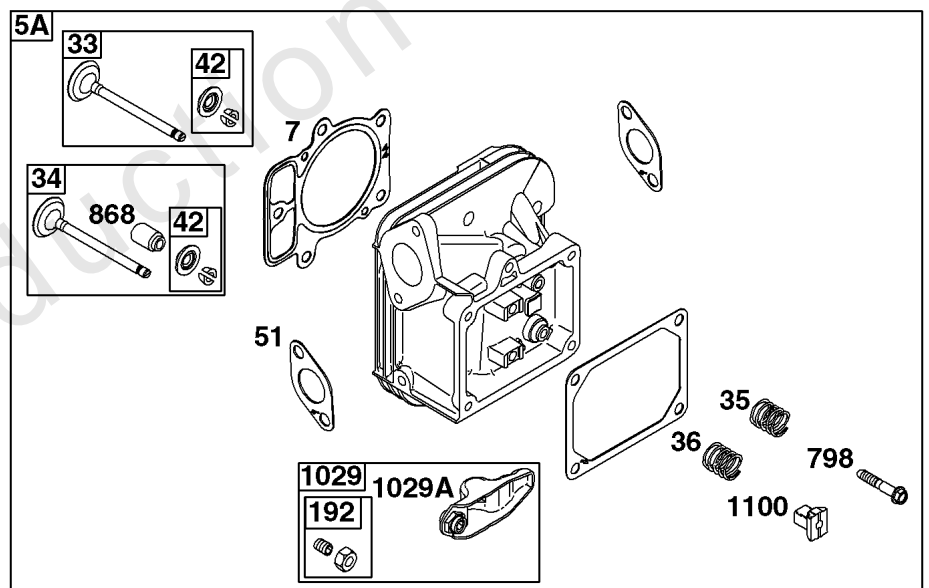
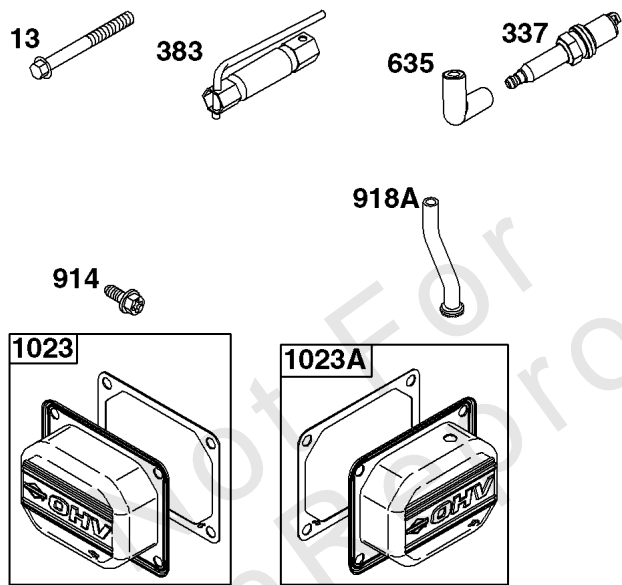
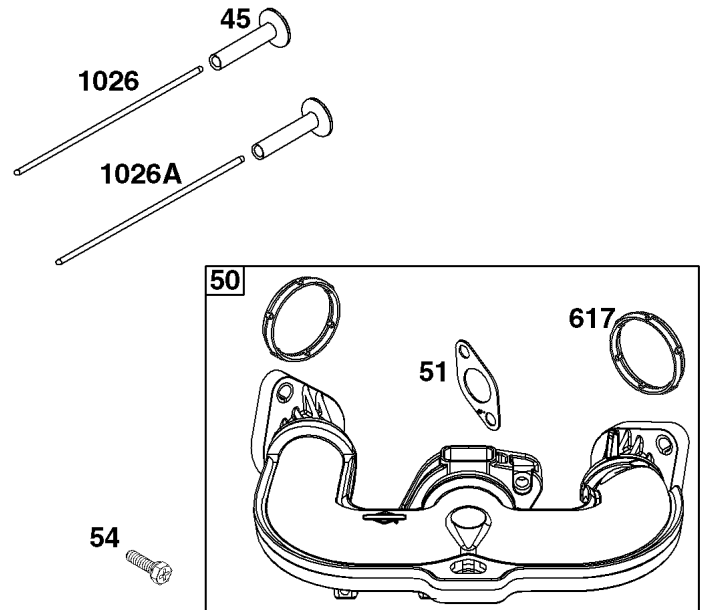
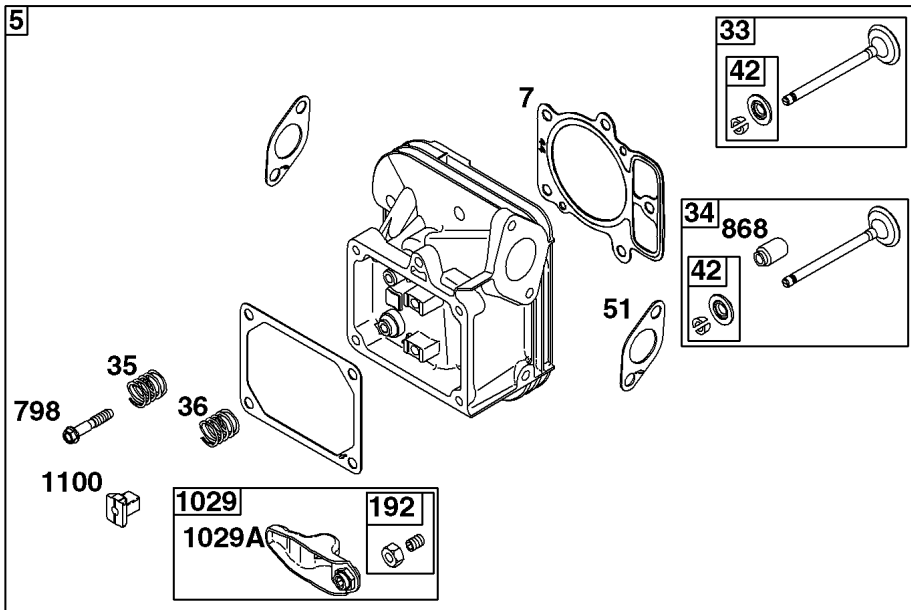
Cylinder Group

REF NO	PART NO	QTY	DESCRIPTION
1	594970	1	CYLINDER ASSEMBLY
2	797673	1	KIT, Bushing/Seal -(Magneto Side)
3	391086S	1	SEAL, Oil -(Magneto Side)
7	-----	2	GASKET, Cylinder Head -(Part information located in Cylinder Head Group.)
10	691108	4	SCREW -(Breather Assembly)
11	594163	1	TUBE, Breather
20	-----	1	SEAL, Oil -(Part information located in Crankcase Cover/Sump Group.)
22	-----	10	SCREW -(Part information located in Crankcase Cover/Sump Group.)
51	-----	1	GASKET, Intake -(Part information located in Cylinder Head Group.)
163	-----	1	GASKET, Air Cleaner -(Part information located in Carburetor and Fuel Supply Group.)
227	-----	1	LEVER, Governor Control -(Part information located in Controls Group.)
306	796852	1	SHIELD, Cylinder
306A	591666	1	SHIELD, Cylinder
307	691003	4	SCREW -(Cylinder Shield)
307A	691108	4	SCREW -(Cylinder Shield)
358	-----		GASKET SET, Engine -(Part information located in Crankcase Cover/Sump Group.)
405	594937	7	SCREW -(Back Plate)
447	691003	4	SCREW -(Air Guide Cover)
505	-----	1	NUT -(Part information located in Controls Group.)
524	-----	1	SEAL, O-Ring -(Part information located in Lubrication Group.)
540	594325	1	PLATE, Baffle
562	-----	1	BOLT -(Part information located in Controls Group.)
573	594902	1	PLATE, Back
584	594164	1	COVER, Breather Passage
618	594326	1	SCREW -(Baffle Plate)
691	-----	1	SEAL, Governor Shaft -(Part information located in Crankcase Cover/Sump Group.)
718	690959	6	PIN, Locating
718A	594988	1	PIN, Locating
842	-----	1	SEAL, O-Ring -(Part information located in Lubrication Group.)
850	-----	10.5	SEALANT, Liquid -(Part information located in Crankcase Cover/Sump Group.)
865	591667	1	COVER, Air Guide
868	-----	1	SEAL, Valve -(Part information located in Cylinder Head Group.)
943	-----	1	SEAL, O-Ring -(Part information located in Crankcase Cover/Sump Group.)
1263	594166	1	REED, Breather
1264	594165	1	SCREW -(Breather Reed)



Cylinder Head Group

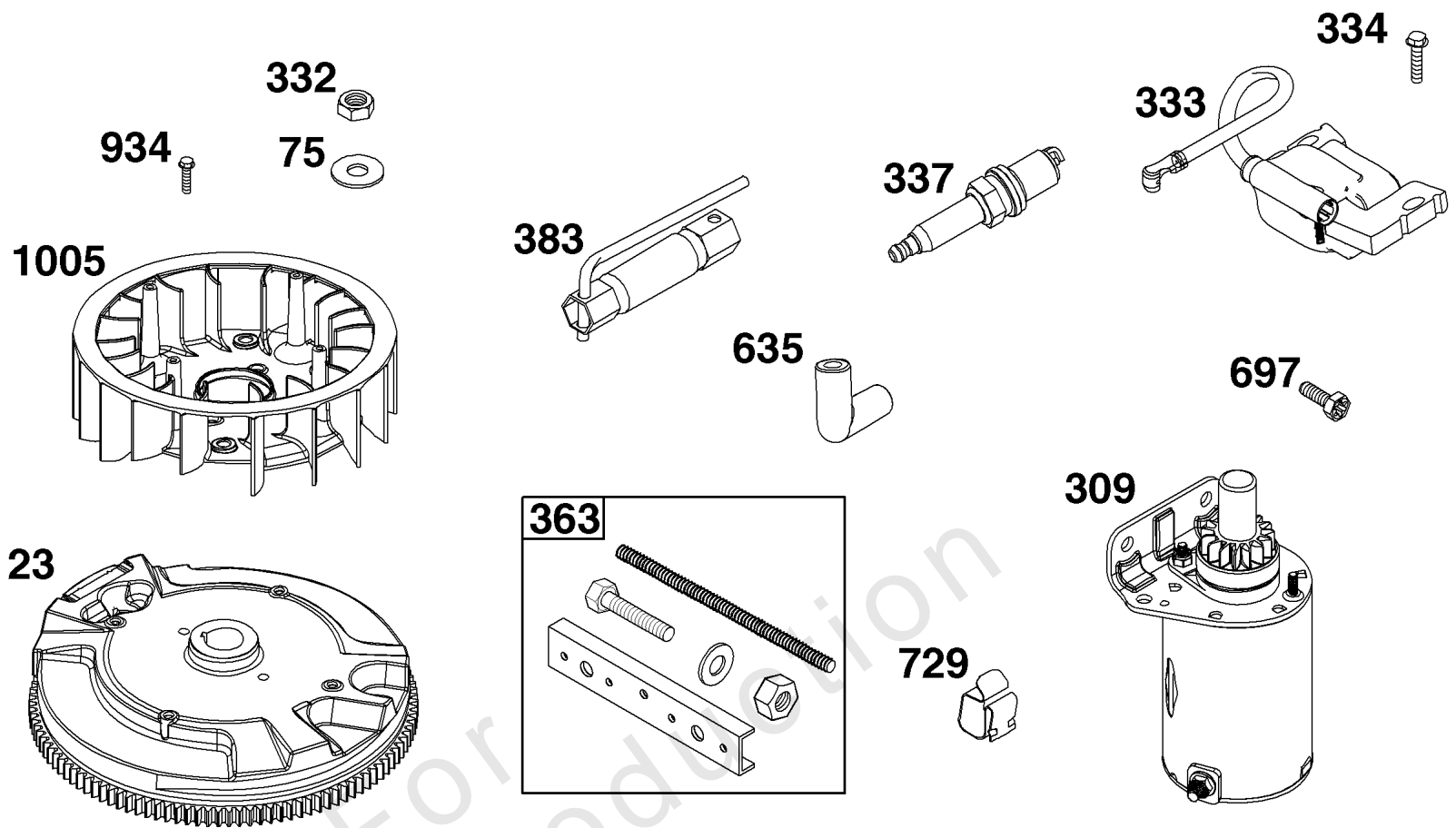
REF NO	PART NO	QTY	DESCRIPTION
3	-----	1	SEAL, Oil -(Part information located in Cylinder Group.)
5	597136	1	HEAD, Cylinder
5A	597137	1	HEAD, Cylinder
7	693997	2	GASKET, Cylinder Head
13	592244	10	SCREW -(Cylinder Head)
20	-----	1	SEAL, Oil -(Part information located in Crankcase Cover/Sump Group.)
22	-----	10	SCREW -(Part information located in Crankcase Cover/Sump Group.)
33	793557	1	VALVE, Exhaust
34	793556	1	VALVE, Intake
35	694865	1	SPRING, Valve -(Intake)
36	694865	1	SPRING, Valve -(Exhaust)
42	499586	2	KEEPER, Valve
45	690977	4	TAPPET, Valve
50	594206	1	MANIFOLD, Intake
51	594204	1	GASKET, Intake
53	-----	2	STUD -(Part information located in Carburetor and Fuel Supply Group.)
54	699816	4	SCREW -(Intake Manifold)
163	-----	1	GASKET, Air Cleaner -(Part information located in Carburetor and Fuel Supply Group.)
186A	-----	1	CONNECTOR, Hose -(Part information located in Carburetor and Fuel Supply Group.)
186B	-----	1	CONNECTOR, Hose -(Part information located in Carburetor and Fuel Supply Group.)
192	690083	1	ADJUSTER, Rocker Arm
337	792015	2	PLUG, Spark
358	-----	1	GASKET SET, Engine -(Part information located in Crankcase Cover/Sump Group.)
383	19576S	1	WRENCH, Spark Plug
524	-----	1	SEAL, O-Ring -(Part information located in Lubrication Group.)
617	594209	2	SEAL, O-Ring -(Intake Manifold)
635	692076	2	BOOT, Spark Plug
654	-----	2	NUT -(Part information located in Carburetor and Fuel Supply Group.)
691	-----	1	SEAL, Governor Shaft -(Part information located in Crankcase Cover/Sump Group.)
798	697890	4	SCREW -(Rocker Arm)
842	-----	1	SEAL, O-Ring -(Part information located in Lubrication Group.)
850	-----	10.5	SEALANT, Liquid -(Part information located in Crankcase Cover/Sump Group.)
868	690968	1	SEAL, Valve
914	691127	2	SCREW -(Rocker Cover)
918	-----	1	HOSE, Vacuum -(Part information located in Carburetor and Fuel Supply Group.)
918A	596163	1	HOSE, Vacuum -Used Before Code Date 19091800



Cylinder Head Group

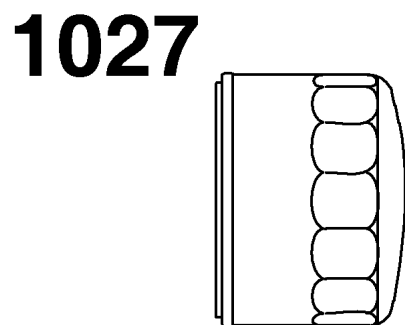
REF NO	PART NO	QTY	DESCRIPTION
918A	593641	1	HOSE, Vacuum -Used After Code Date 19091700
943	-----	1	SEAL, O-Ring -(Part information located in Crankcase Cover/Sump Group.)
964	-----	1	CAP, Connector -(Part information located in Blower Housing and Air Cleaner Group.)
1023	499600	1	COVER, Rocker
1023A	793146	1	COVER, Rocker
1026	690981	2	ROD, Push -(Steel)
1026A	690982	2	ROD, Push -(Aluminum)
1029	690972	4	ARM, Rocker
1029A	807323	1	ARM, Rocker
1095	594214	1	GASKET SET, Valve
1100	791959	4	PIVOT, Rocker Arm

Not For InReproduction

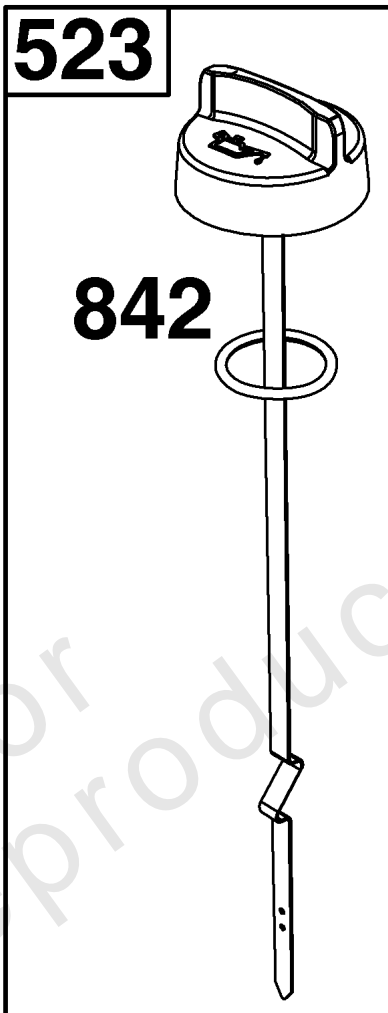


Flywheel, Ignition, and Starter Group

REF NO	PART NO	QTY	DESCRIPTION
23	594169	1	FLYWHEEL
75	691056	1	WASHER -(Flywheel)
309	590476	1	MOTOR, Starter
332	691059	1	NUT -(Flywheel)
333	592846	2	ARMATURE, Magneto
334	691061	4	SCREW -(Magneto Armature)
337	-----	2	PLUG, Spark -(Part information located in Cylinder Head Group.)
363	19621	1	PULLER, Flywheel
383	-----	1	WRENCH, Spark Plug -(Part information located in Cylinder Head Group.)
635	-----	2	BOOT, Spark Plug -(Part information located in Cylinder Head Group.)
697	591909	2	SCREW -(Starter Motor) (Drive Cap)
729	593826	1	CLIP, Wire
934	593638	4	SCREW -(Fan Retainer)
1005	593640	1	FAN, Flywheel



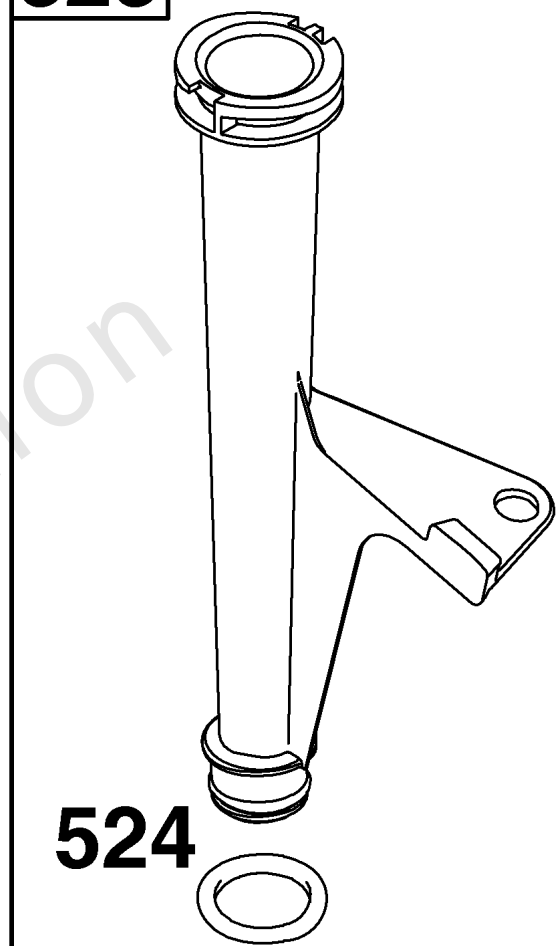
847



287



525



Not For
In Reproduction

Lubrication Group

REF NO	PART NO	QTY	DESCRIPTION
287	697820		SCREW -(Dipstick Tube)
523	594528	1	DIPSTICK
524	691032	1	SEAL, O-Ring -(Dipstick Tube)
525	691037	1	TUBE, Dipstick
842	691031	1	SEAL, O-Ring -(Dipstick Cap)
847	594609	1	SCREW, Dipstick tube
1027	696854	1	FILTER, Oil

Not For In Reproduction

Replacement Engine - US & Canada

REF NO	PART NO	QTY	DESCRIPTION
	44T9770009G1	1	Replacement Engine
	797093	1	Replacement Short Block
	-----		Top No-Load Speed: 3650
	-----		Service Note: Transfer Oil Filter Adaptor or Cover Plate from the original engine to the replacement engine.
	-----		Service Note: Transfer the Governor Spring and Governor Idle Spring to the replacement engine.
	-----		Service Note: Transfer Manual Choke Control Assembly from the original engine to replacement engine.

Not For In Reproduction

